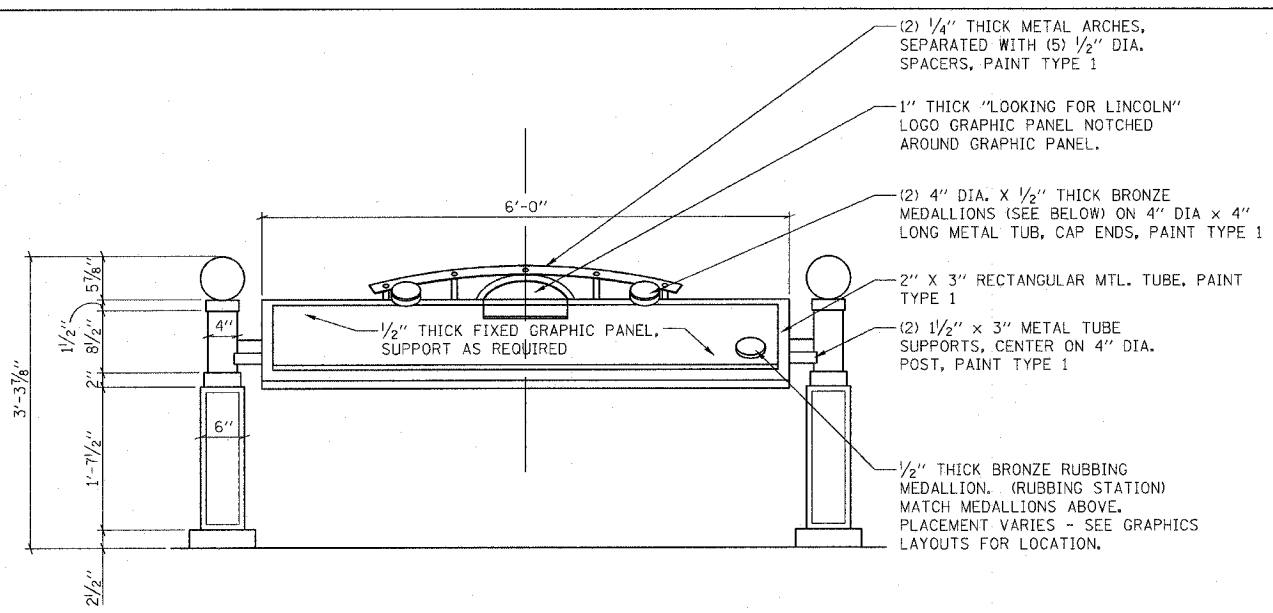
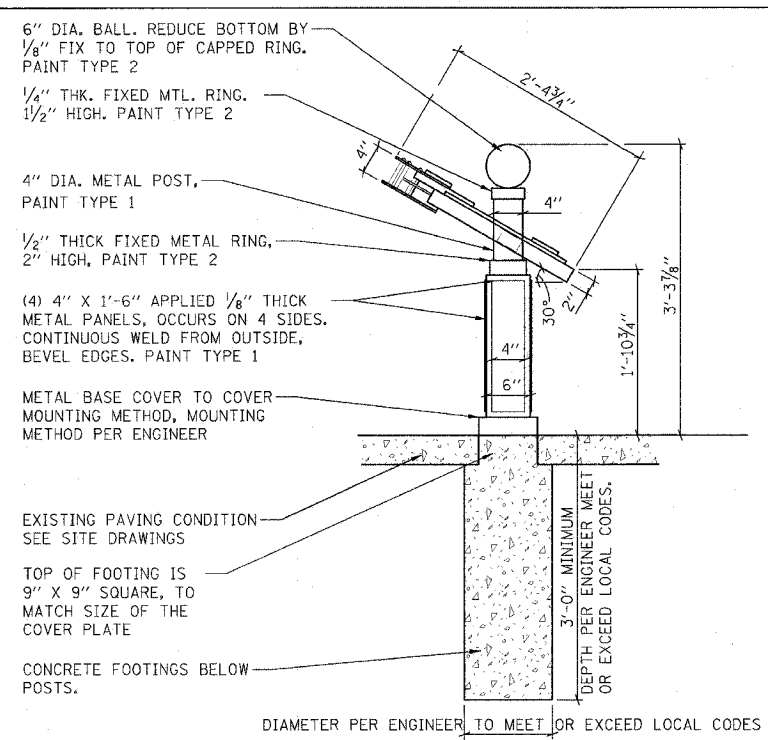


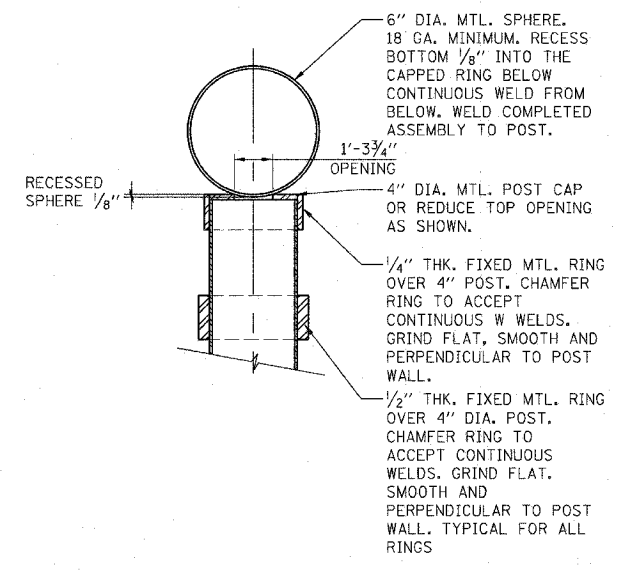
F.A.U. RTE.	SECTION	COUNTY	TOTAL SHEETS	SHEET NO.
8419	99-00048-01-PV	FAYETTE	142	88
STA.	TO STA.			
FED. ROAD DIST. NO.	ILLINOIS	FED. AID PROJECT		
CONTRACT NO. 95500				



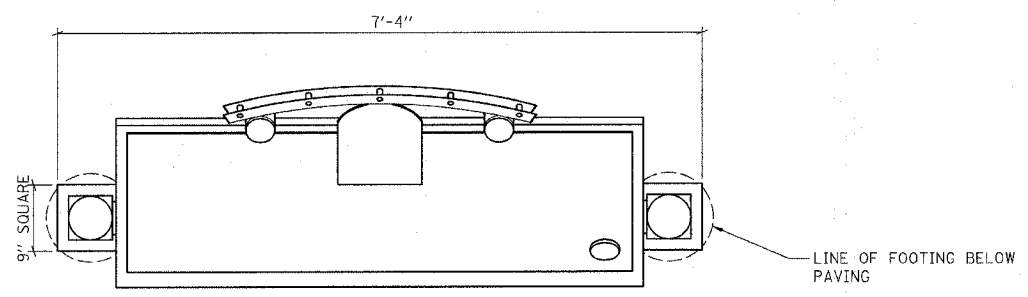
FRONT ELEVATION
SCALE: 1"=1'-0"



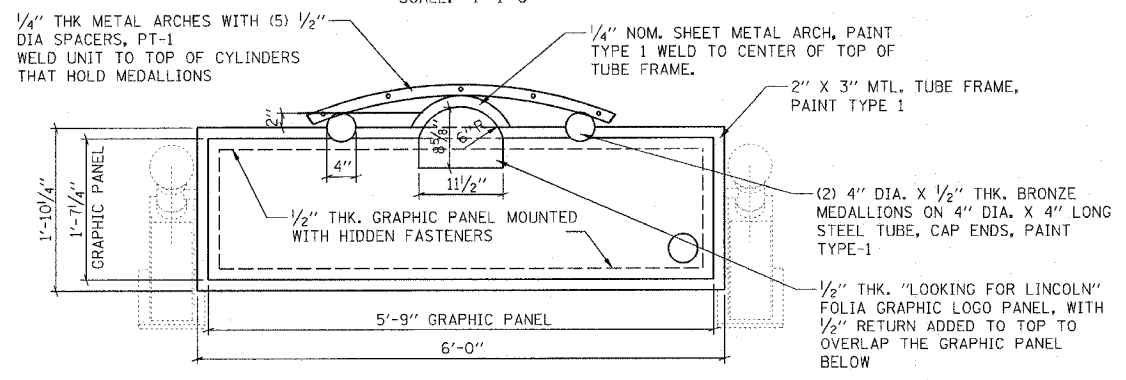
LEFT SIDE ELEVATION
SCALE: 1"=1'-0"



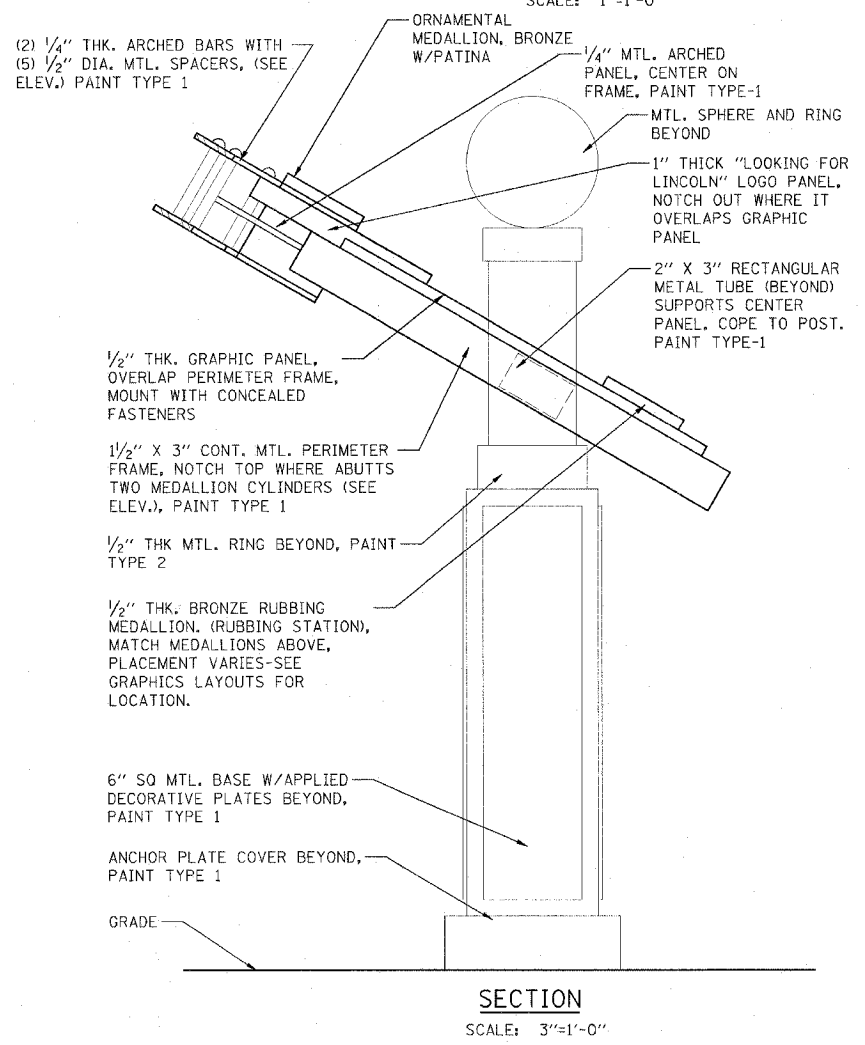
POST TOP DETAIL
SCALE: 6"=1'-0"



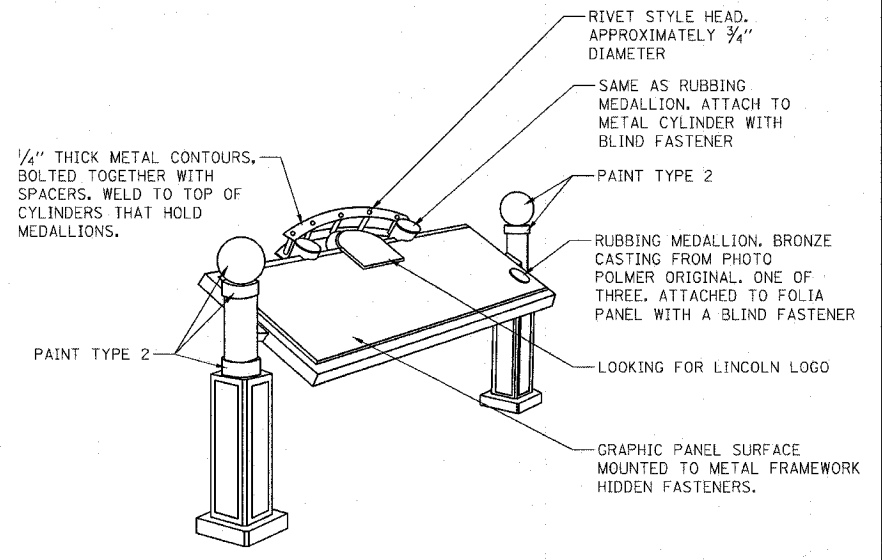
PLAN
SCALE: 1"=1'-0"



OBLIQUE PLAN
SCALE: 1"=1'-0"



SECTION
SCALE: 3"=1'-0"



PERSPECTIVE
SCALE: NONE

REVISIONS	
NAME	DATE

ILLINOIS DEPARTMENT OF TRANSPORTATION
**SERIES A
OUTDOOR INTERPRETIVES
SIGN TYPE A3**

SCALE: VERT.
HORIZ.
DATE

DRAWN BY KOJ
CHECKED BY BWC

CADD FILE: /4812/DI_SB_A3.dgn
PLOTTED: 01/23/2007

H.M. & G. NO. 4812