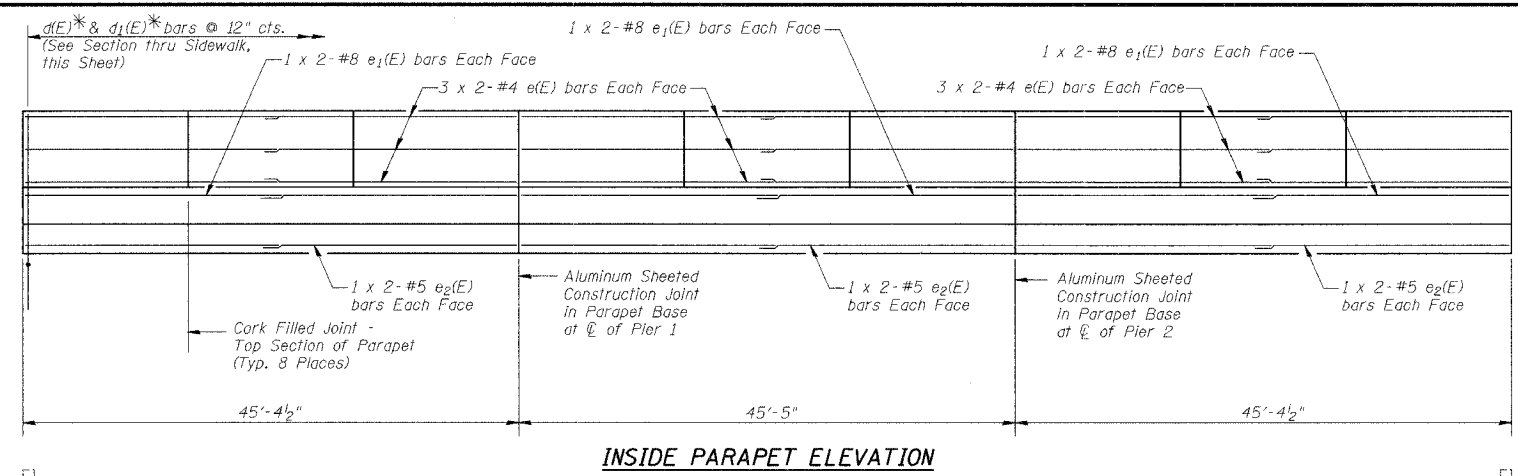
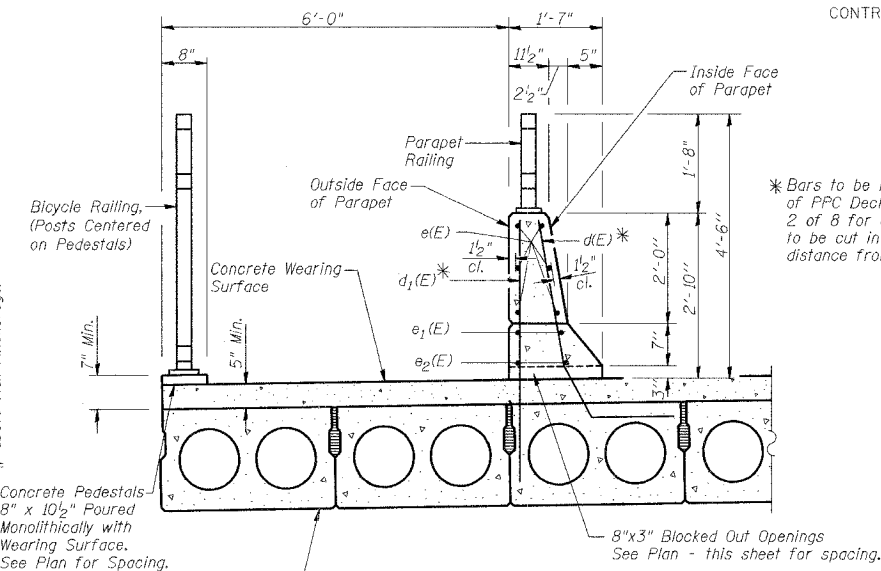


ROUTE NO.	SECTION	COUNTY	TOTAL SHEETS	SHEET NO.
F.A.U. 7359	09-00702-00-BR	MACON	12	6
FED. ROAD DIST. NO.	ILLINOIS PROJECT	BHM-5169(37)		

CONTRACT NO. 95512

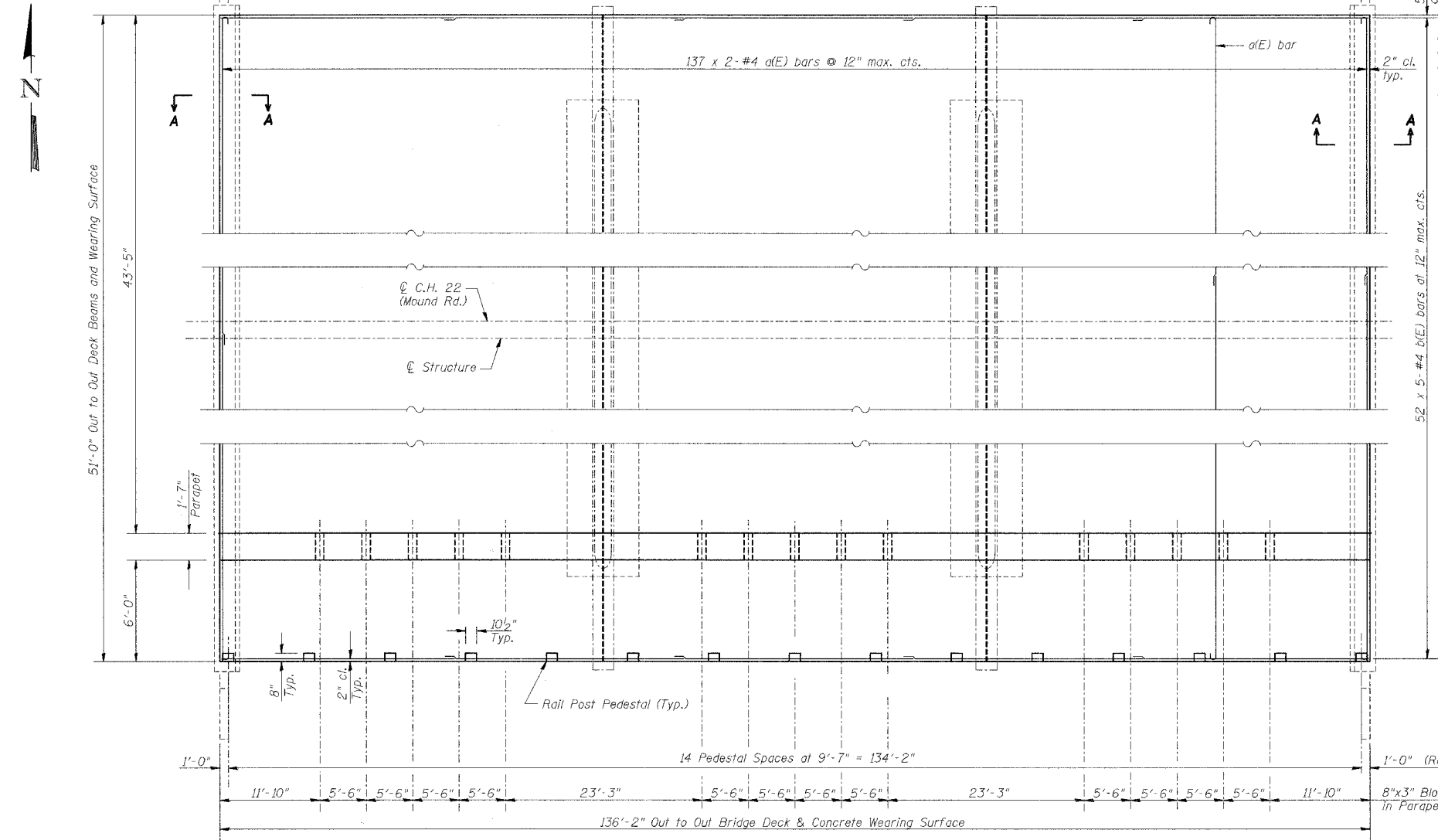


INSIDE PARAPET ELEVATION

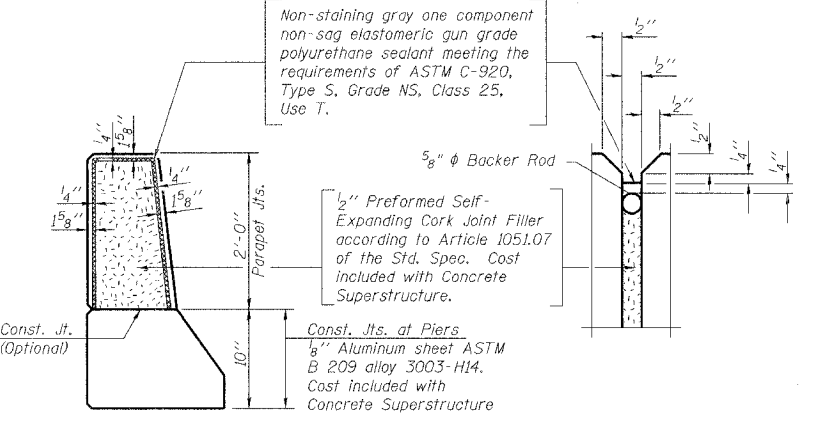


SECTION THRU SIDEWALK
(Looking West)

* Bars to be included in the Cost of PPC Deck Beams (See Sheet 2 of 8 for details). Top of Bars to be cut in field to maintain clear distance from Top of Parapet



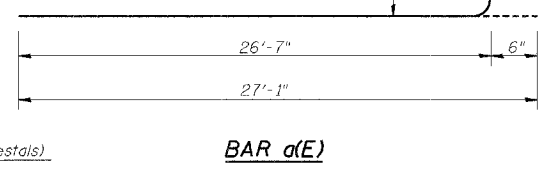
PLAN



PARAPET JOINT DETAILS

SUPERSTRUCTURE BILL OF MATERIAL

Bar	No.	Size	Length	Shape
d(E)	274	#4	27'-1"	→
b(E)	260	#4	29'-2"	—
e(E)	36	#4	23'-9"	—
e1(E)	12	#8	25'-9"	—
e2(E)	12	#5	24'-1"	—
Reinforcement Bars, Epoxy Coated		Pound	11730	
Concrete Superstructure		Cu. Yds.	16.0	
Concrete Wearing Surface		Cu. Yds.	12.3	
Protective Coat		Sq. Yds.	867	



BAR d(E)

- Notes:
- For Section A-A, see sheet 5 of 8.
 - Reinforcement bars designated (E) shall be epoxy coated.
 - Bars indicated thus 137 x 2-#4 etc. indicates 137 lines of bars with 2 lengths per line.
 - Formwork necessary for the wearing surface may be secured utilizing the bottom North rail anchorage inserts and/or additional inserts cast into the beam. Drilling into the beam will not be permitted.
 - Forming of the Parapet shall be performed by conventional methods. Slipforming of the parapet is prohibited.

MIN. BAR LAP
 #4 = 2'-5"
 #5 = 3'-0"
 #8 = 6'-4"

SUPERSTRUCTURE DETAILS				Sheet No.
Date	Designed	DCS	F.A.U. 7359 (MOUND RD.) OVER STEVENS CREEK CITY OF DECATUR STA. 15+00.00 PROP. STR. NO. 058-3062	3 of 8
Revisions	Drawn	BKN		
	Checked	TDN		
	Approved	KWB		
Prepared by:	URS 345 East Ash Avenue Decatur, IL 62526			