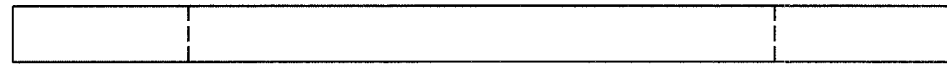
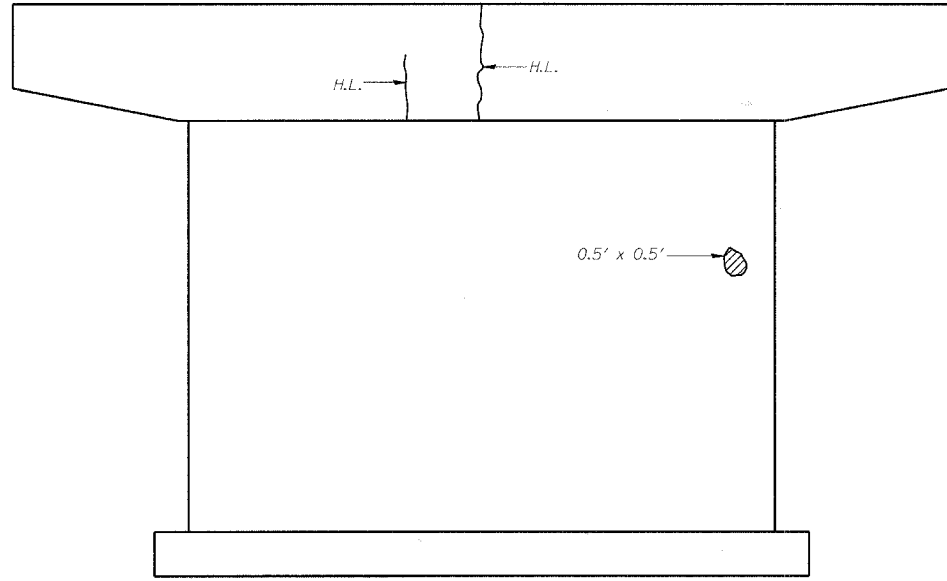


ROUTE NO.	SECTION	COUNTY	TOTAL SHEETS	SHEET NO.
F.A.U. 7359	09-00702-00-BR	MACON	12	9
FED. ROAD DIST. NO.	ILLINOIS PROJECT BHM-5169(37)			

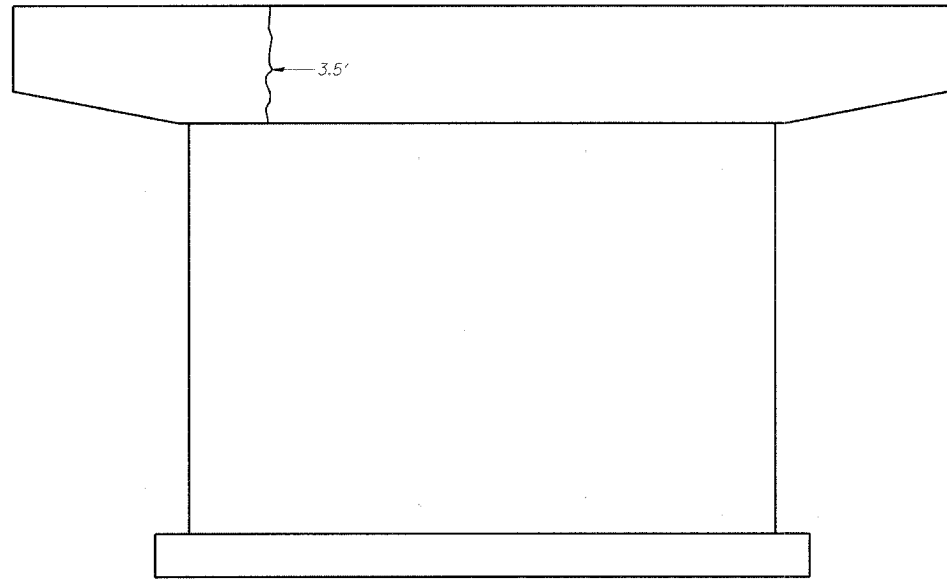
CONTRACT NO. 95512



PIER 1 - PLAN



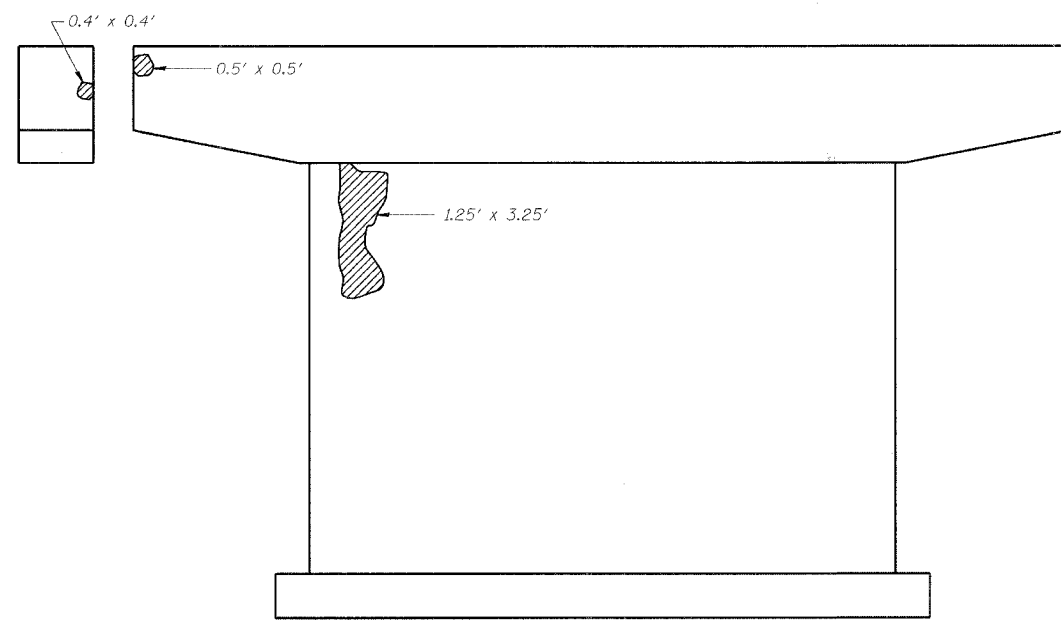
PIER 1 - ELEVATION
(Looking East)



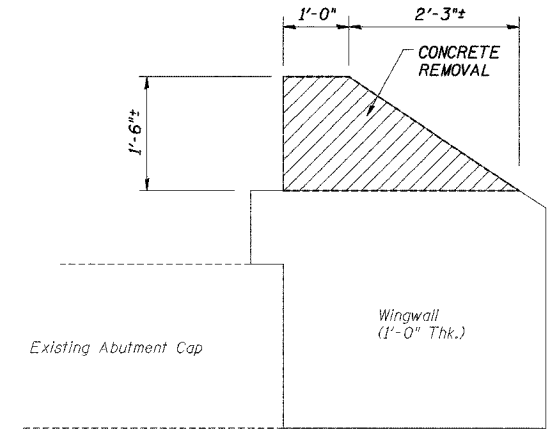
PIER 1 - ELEVATION
(Looking West)



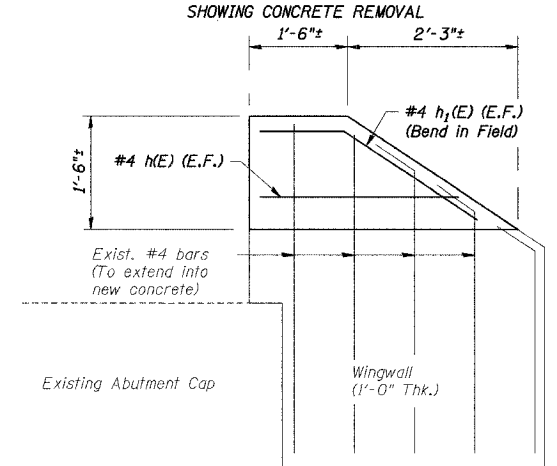
PIER 2 - PLAN



PIER 2 - ELEVATION
(Looking West)



ELEVATION
SHOWING CONCRETE REMOVAL



ELEVATION
SHOWING CONCRETE REPLACEMENT

CONCRETE REPLACEMENT DETAIL
(AT ALL WINGWALLS)

Notes: Partial removal of concrete shall be performed per IDOT Standard Specification Art. 501.05.

Replacement concrete shall be cast against the in-place beam.

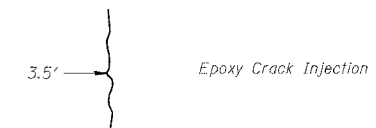
BILL OF MATERIAL - 4 WINGWALLS

Bar	No.	Size	Length	Shape
ME	8	#4	3'-4"	—
h1(E)	8	#4	3'-8"	—
Concrete Removal			Cu. Yd.	0.5
Concrete Structures			Cu. Yd.	0.6
Reinforcement Bars, Epoxy Coated			Pound	40

LEGEND



Polymer Modified Portland Cement Mortar Repair



Epoxy Crack Injection



Hairline Crack - Not to be sealed

Note: Crack Widths are 1/8" ± 1/16" unless otherwise noted.

CONCRETE REPAIR QUANTITIES

Item	Unit	Quantity
Polymer Modified Portland Cement Mortar	Sq Ft	4.7
Epoxy Crack Injection	Foot	3.5

CONCRETE REMOVAL, REPLACEMENT AND REPAIR DETAILS

Date	Designed DCS	F.A.U. 7359 (MOUND RD.) OVER STEVENS CREEK CITY OF DECATUR STA. 15+00.00 PROP. STR. NO. 058-3062	Sheet No.
Revisions	Drawn BKN		6
	Checked TDN		
	Approved KWB		
Prepared by:	URS 345 East Ash Avenue Decatur, IL 62526		
		URS Job No.	36431697