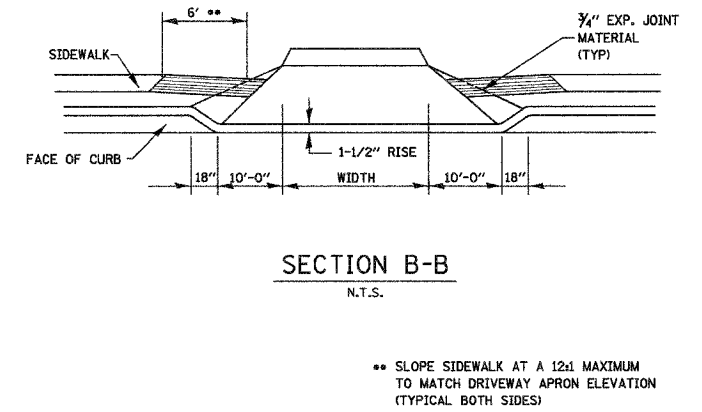
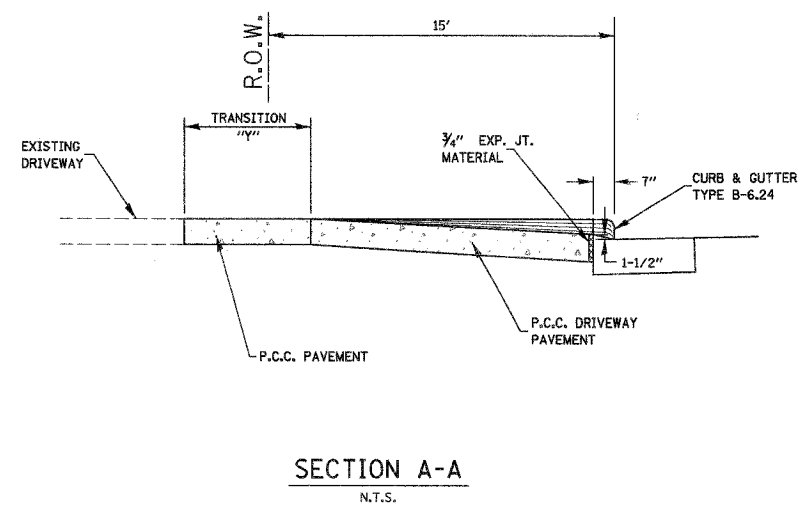
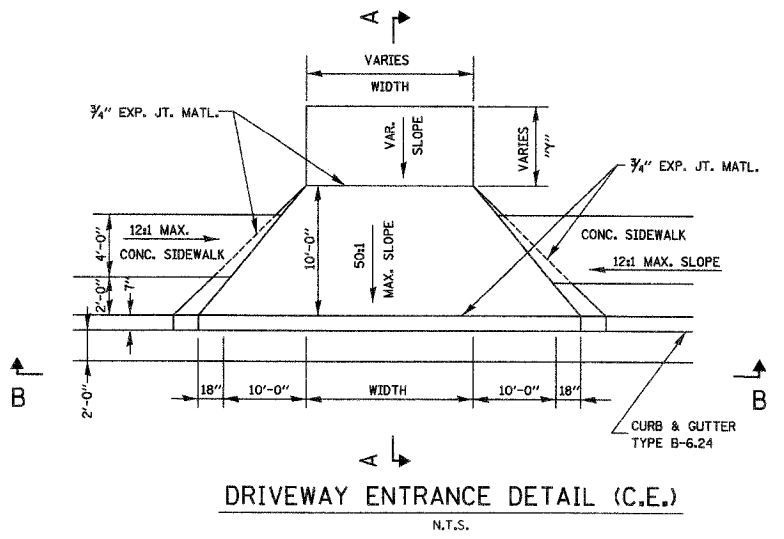


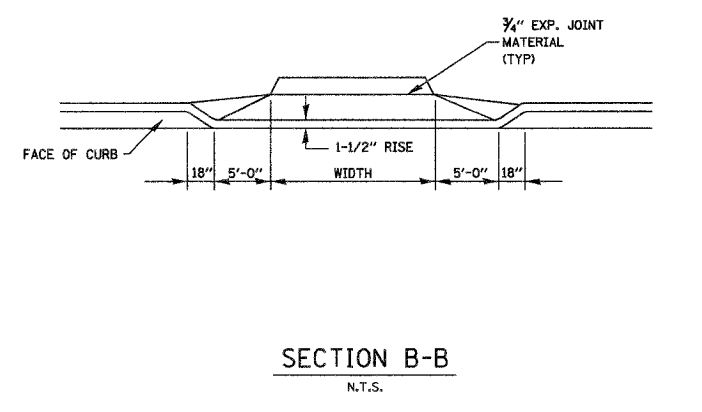
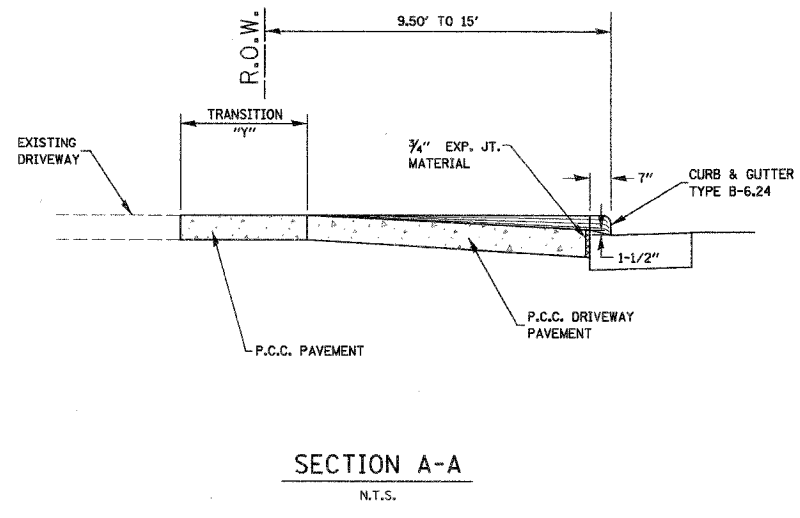
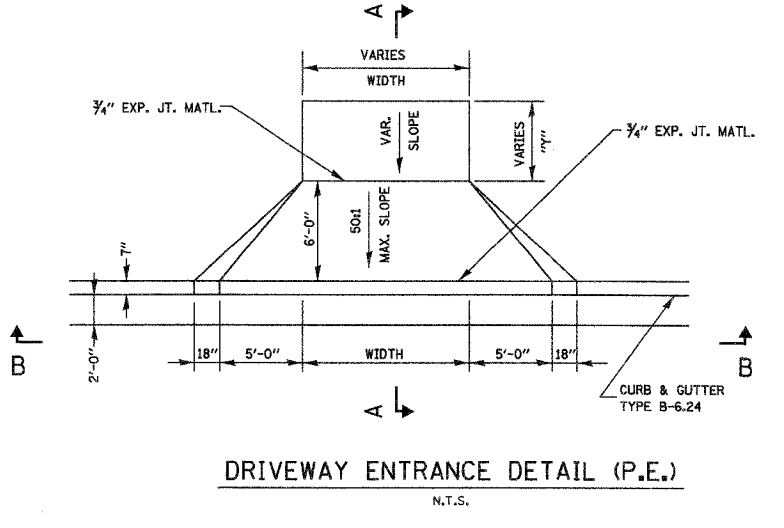
F.A.U. RTE.	SECTION	COUNTY	TOTAL SHEETS	SHEET NO.
9024	05-00187-01-RP	MADISON	79	47
FED. ROAD DIST. NO.	ILLINOIS	FED. AID PROJECT		
CONTRACT NO. 92298				

DATE	BY
ORIGINAL SURVEY PLOTTED	
NOTE BOOK	
TEMPLATE AREAS CHECKED	
NO.	

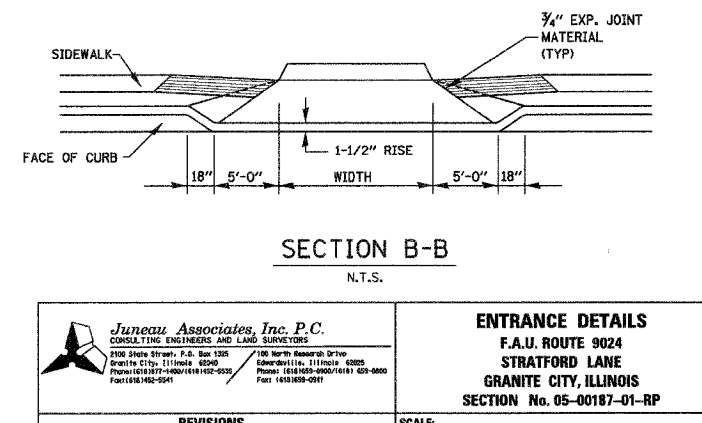
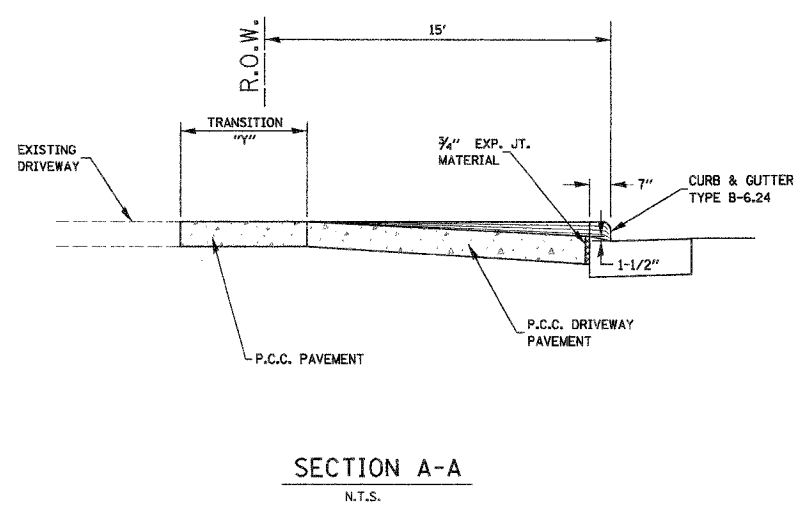
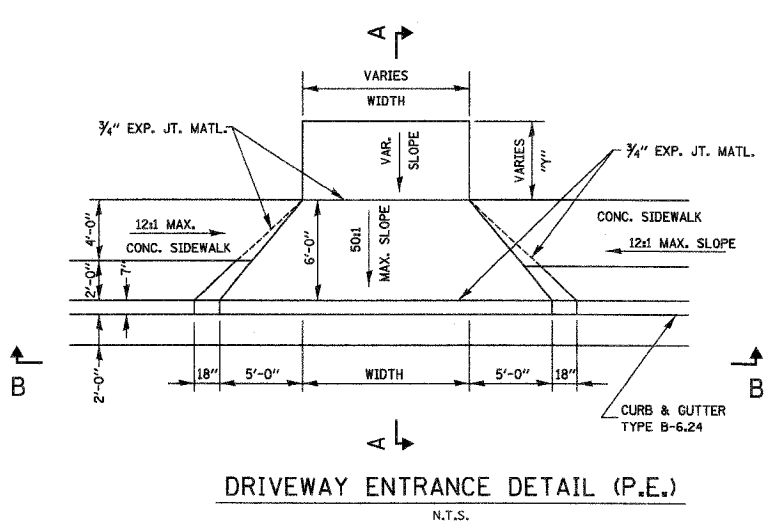


** SLOPE SIDEWALK AT A 12:1 MAXIMUM TO MATCH DRIVEWAY APRON ELEVATION (TYPICAL BOTH SIDES)

DATE	BY
ORIGINAL SURVEY PLOTTED	
NOTE BOOK	
TEMPLATE AREAS CHECKED	
NO.	



** SLOPE SIDEWALK AT A 12:1 MAXIMUM TO MATCH DRIVEWAY APRON ELEVATION (TYPICAL BOTH SIDES)



Juneau Associates, Inc. P.C.
CONSULTING ENGINEERS AND LAND SURVEYORS
2100 South Street, P.O. Box 1205
Granite City, Illinois 62040
Phone: (618) 962-4240
Fax: (618) 962-4241

ENTRANCE DETAILS
F.A.U. ROUTE 9024
STRATFORD LANE
GRANITE CITY, ILLINOIS
SECTION No. 05-00187-01-RP

REVISIONS				SCALE: NOT TO SCALE
NO.	DATE	BY	REMARKS	DSN. BY: BFK DATE: 1/12/07 SHEET 47
DWG. NO.				JOB NO. E050210 DGN. NAME: ENT.DTLS OF 79 SHTS