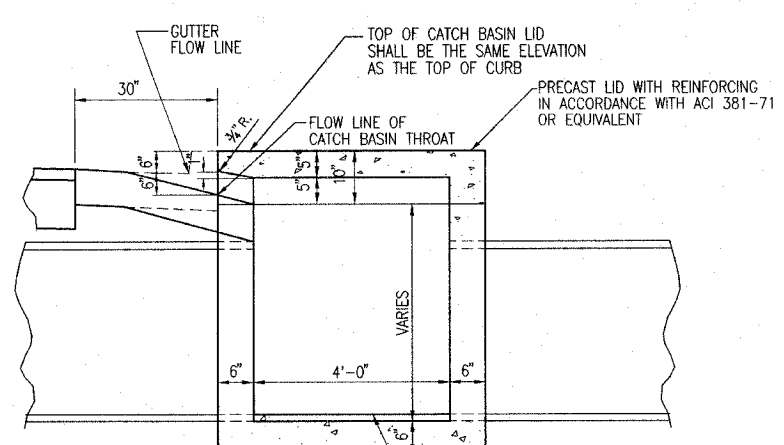
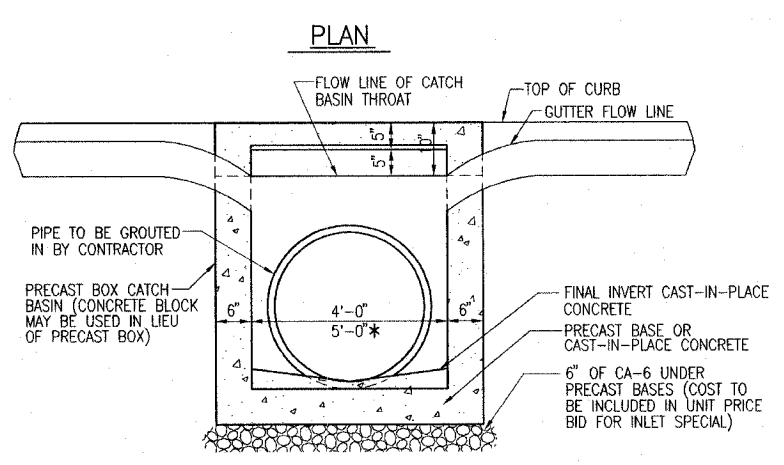
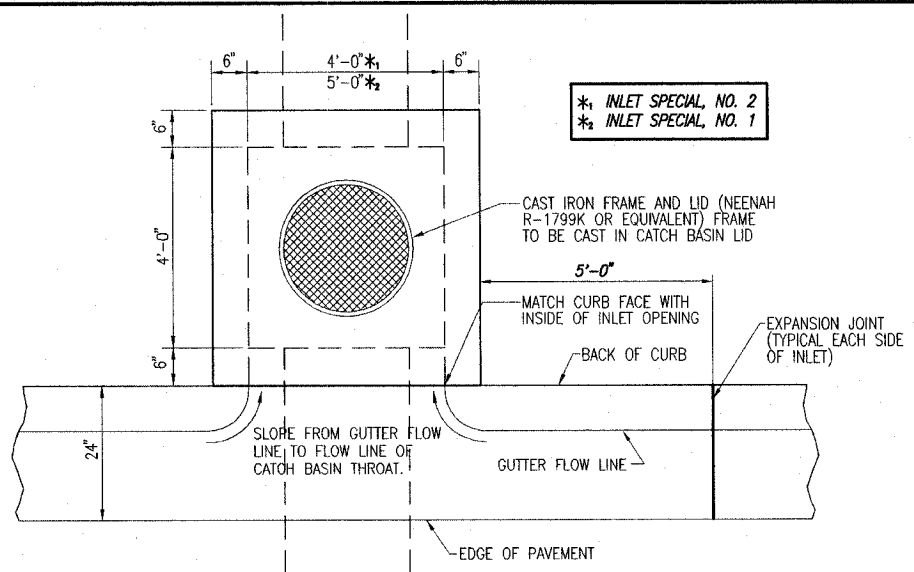


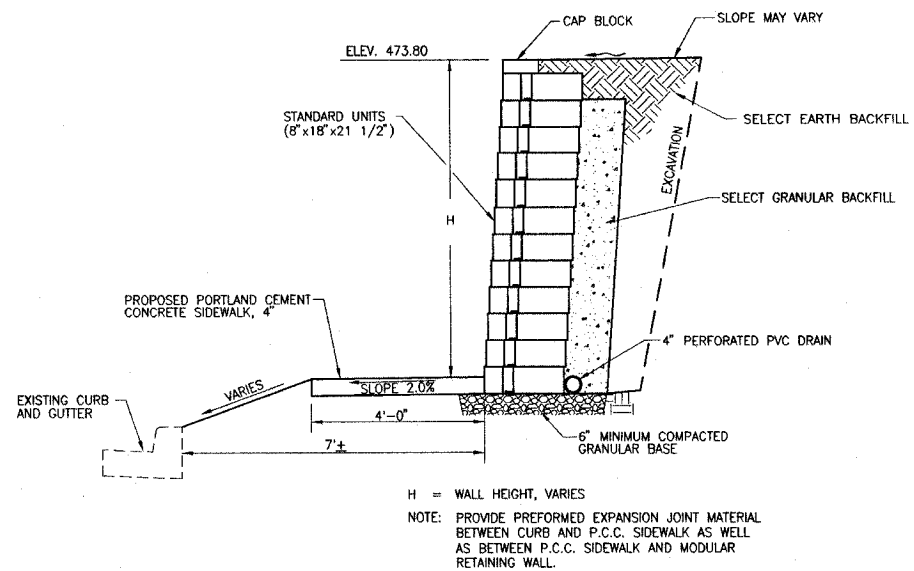
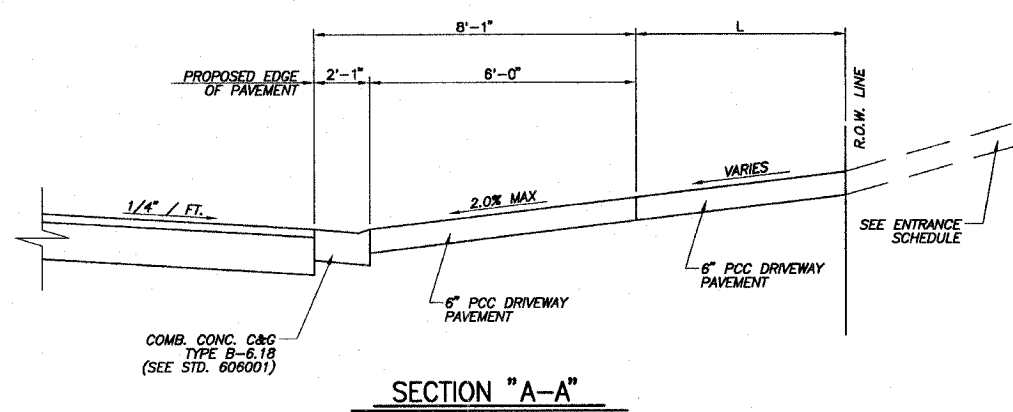
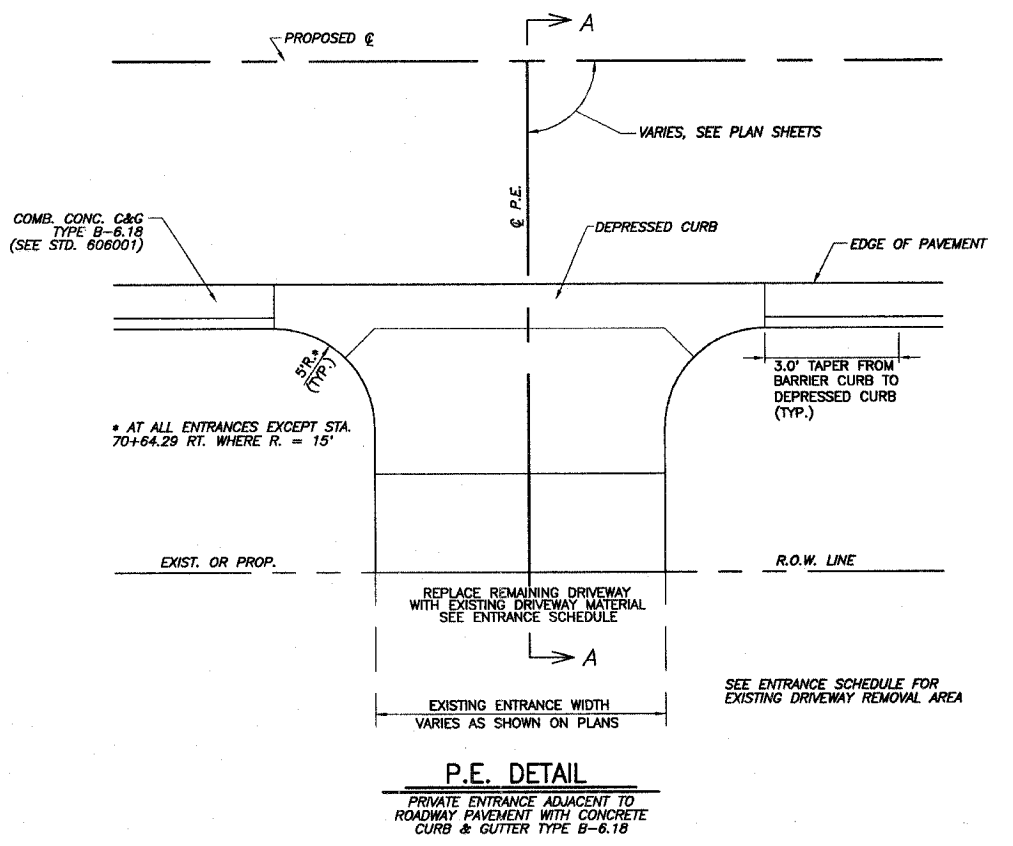
F.A.U. ROUTE NO.	SECTION	COUNTY	TOTAL SHEETS	SHEET NO.
9249	04-00015-00-FP	ST. CLAIR	41	23
STA. 10+00.00 TO STA. 79+10.00				
FEDERAL AID PROJECT			CONTRACT 97302	



INLET BOX SPECIAL DETAILS
N.T.S.

NOTE:
ALL PRECAST CONCRETE STORM SEWER CURB INLETS & AREA INLETS SHALL CONFORM TO THE REQUIREMENTS OF ASTM C-478.

NOTE:
INLET BASE TO BE PRECAST (OR CAST IN FIELD) WITH A NOTCH-OUT EQUIVALENT TO THE PIPE THICKNESS TO ALLOW FOR THE PIPE INVERT TO BE THE SAME ELEVATION AS THE INVERT OF THE INLET. (TYPICAL AT ALL PIPE LOCATIONS)



SEGMENTAL CONCRETE BLOCK WALL DETAIL
N.T.S.