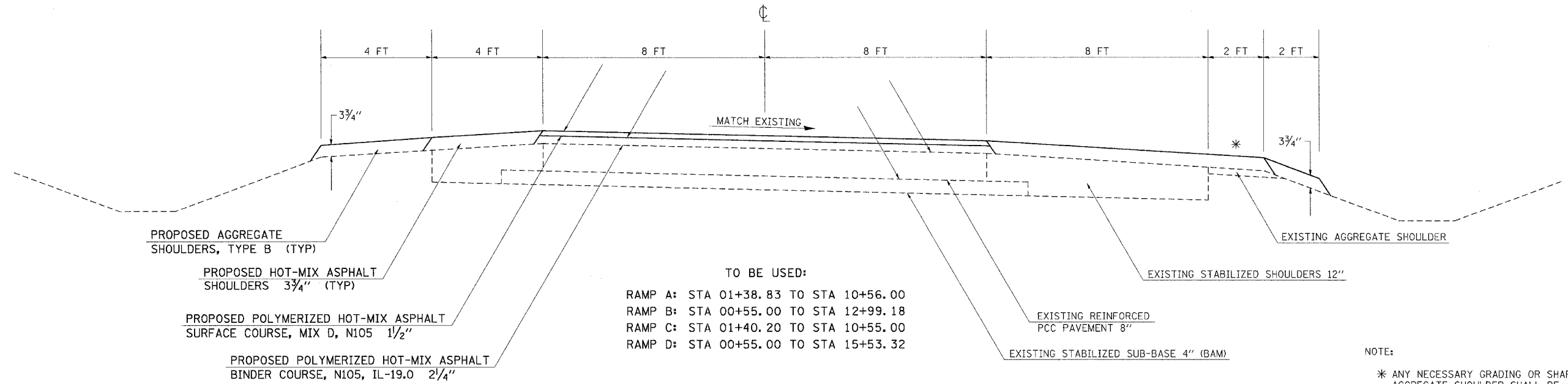
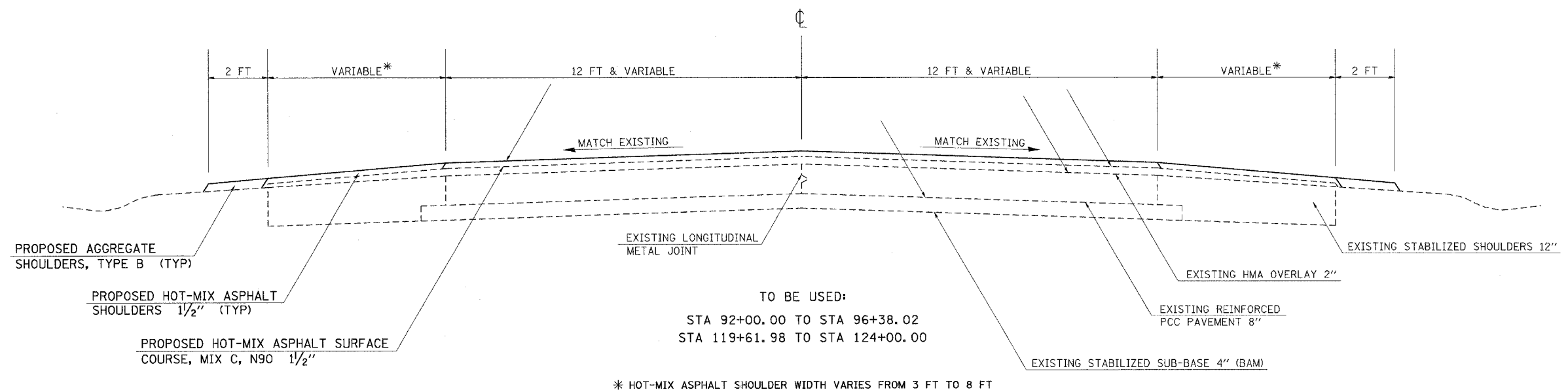


F.A.I. RTE.	SECTION	COUNTY	TOTAL SHEETS	SHEET NO
57	77-03, 4-1, 4-2RS-2	PULASKI	52	10
STA.	TO STA.			
FED. ROAD DIST. NO.	ILLINOIS	FED. AID PROJECT		
CONTRACT NO. 98829				

TYPICAL SECTION #5
PULASKI COUNTY
MOUNDS INTERCHANGE RAMPS
(LOOKING IN DIRECTION OF TRAVEL)



TYPICAL SECTION #6
PULASKI COUNTY
FAS 939 (MOUNDS ROAD)



PLOT DATE = 5/4/2007
PLOT SCALE = 5/8" = 1'-0"
USER NAME = bbonamy