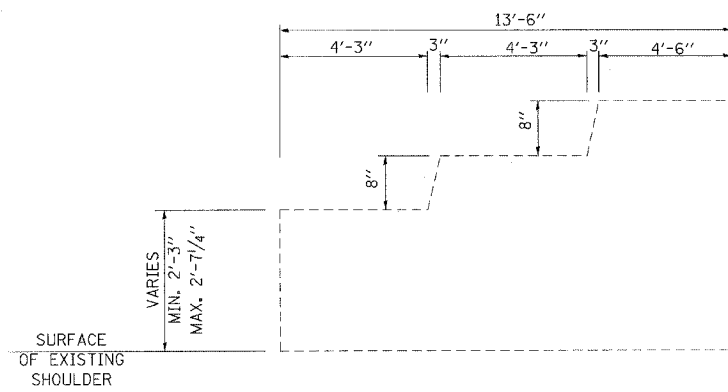
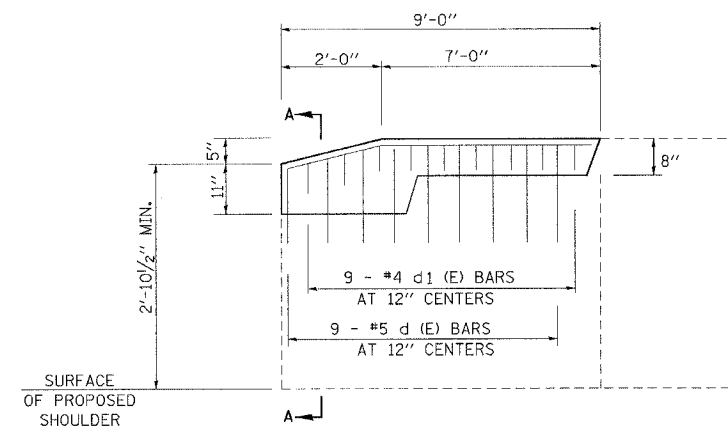


F.A.I. RTE.	SECTION	COUNTY	TOTAL SHEETS	SHEET NO
57	77-13, 4-1, 4-2RS-2	PULASKI	52	48
STA.	TO STA.			
FED. ROAD DIST. NO.	ILLINOIS	FED. AID PROJECT		
CONTRACT NO. 98829				

**WINGWALL MODIFICATION FOR TYPE 6 TERMINAL**



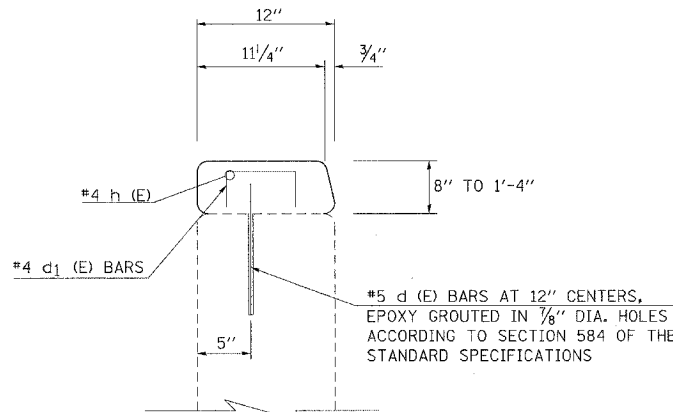
INSIDE ELEVATION (EXISTING)



INSIDE ELEVATION (PROPOSED)

**TO BE USED:**

- SN 077-0001 (2 SOUTH END - 1 NORTH END LT)
- SN 077-0002 (2 NORTH END - 1 SOUTH END RT)
- SN 002-0003 (1 NORTH END LT)
- SN 002-0004 (2 NORTH END)
- SN 002-0002 (2 SOUTH END)

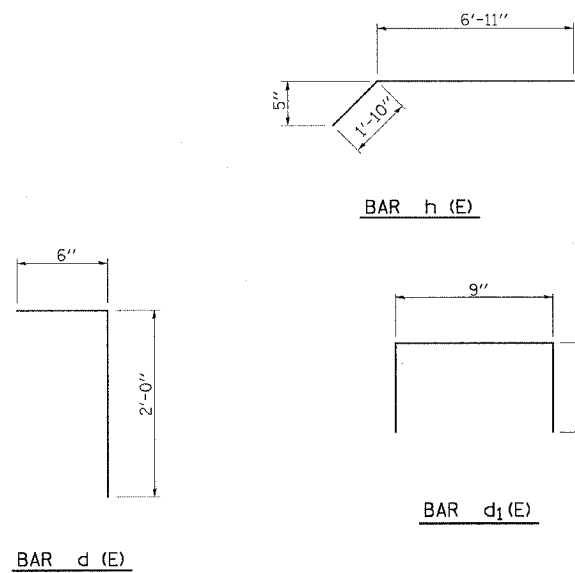


SECTION A-A

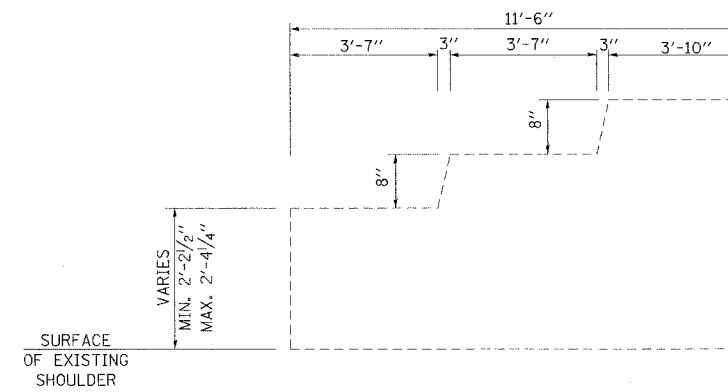
**BILL OF MATERIAL**

BAR	SIZE	NO.	LENGTH	SHAPE
d (E)	#5	9	2'-6"	┌
d1 (E)	#4	9	1'-7"	┌
h (E)	#4	2	8'-9"	└
CONCRETE SUPERSTRUCTURE			CU YDS	0.3
REINFORCEMENT BARS EPOXY COATED			LBS	45

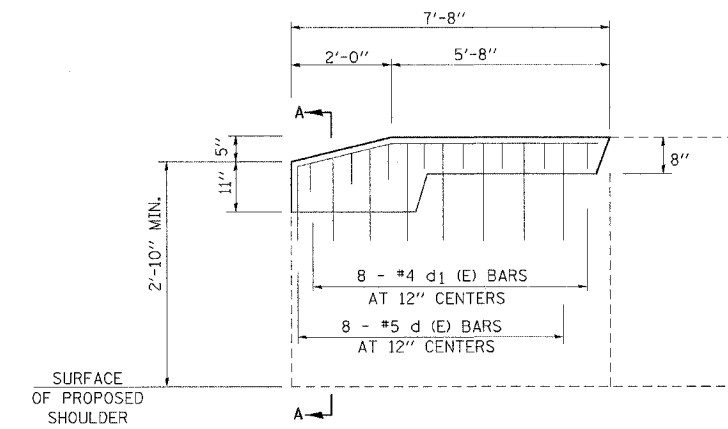
**NOTES:**  
 QUANTITIES ARE PER WING WALL  
 BARS DESIGNATED (E) SHALL BE EPOXY COATED.  
 IF NECESSARY, THE d (E) BARS MAY BE CUT IN THE FIELD.



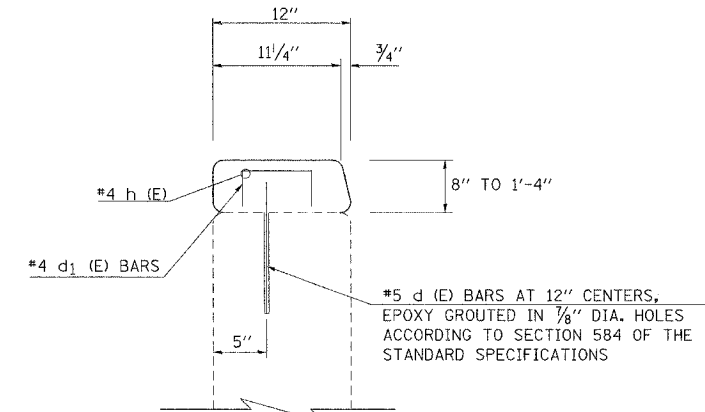
**WINGWALL MODIFICATION FOR TYPE 6 TERMINAL**



INSIDE ELEVATION (EXISTING)



INSIDE ELEVATION (PROPOSED)

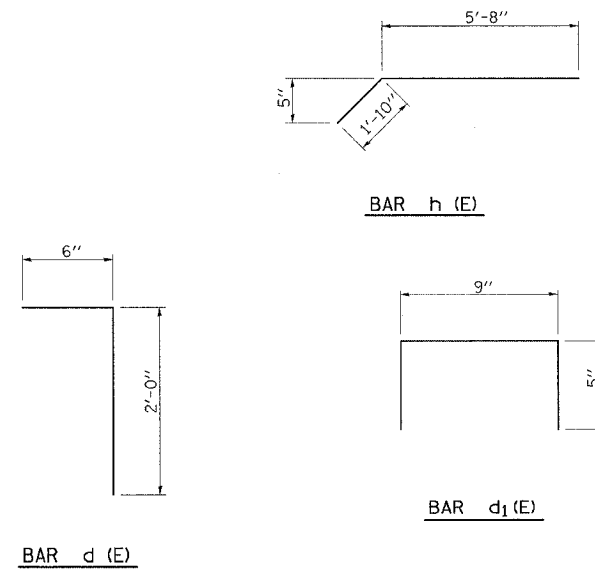


SECTION A-A

**BILL OF MATERIAL**

BAR	SIZE	NO.	LENGTH	SHAPE
d (E)	#5	8	2'-6"	┌
d1 (E)	#4	8	1'-7"	┌
h (E)	#4	2	7'-6"	└
CONCRETE SUPERSTRUCTURE			CU YDS	0.3
REINFORCEMENT BARS EPOXY COATED			LBS	40

**NOTES:**  
 QUANTITIES ARE PER WING WALL  
 BARS DESIGNATED (E) SHALL BE EPOXY COATED.  
 IF NECESSARY, THE d (E) BARS MAY BE CUT IN THE FIELD.



PLOT DATE = 5/7/2007  
 FILE NAME = c:\pno\pno\3924683.d\984683a.km32  
 PLOT SCALE = 50.0000 / 1 IN.  
 USER NAME = chomant