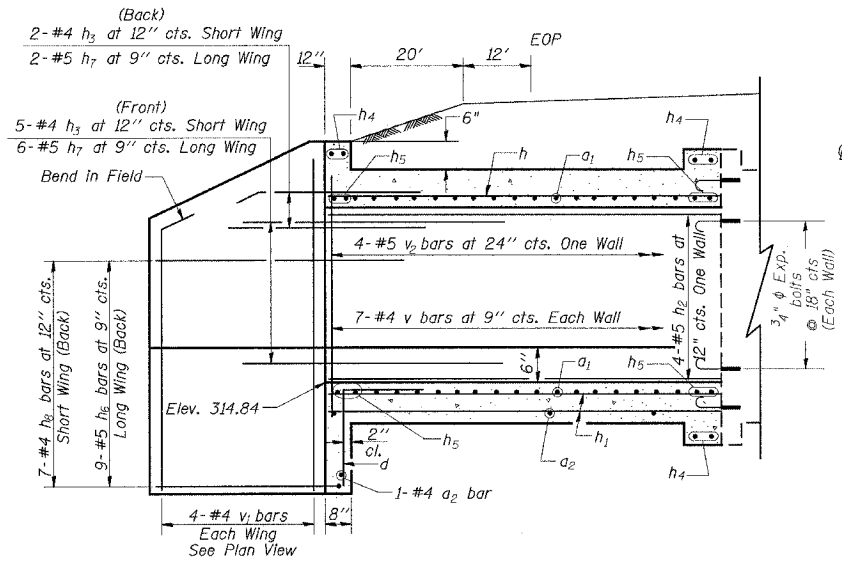
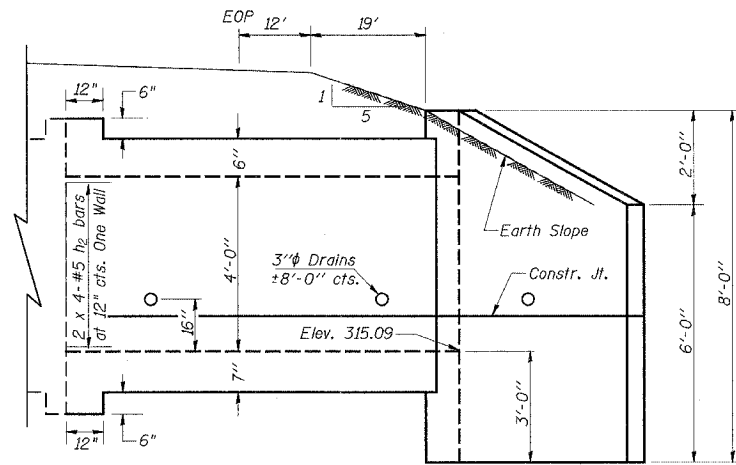


STATE OF ILLINOIS
DEPARTMENT OF TRANSPORTATION

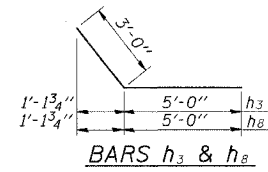
F.A.I. RTE	SECTION	COUNTY	TOTAL SHEETS	SHEET NO
57	77-13, 4-1, 4-2RS-2	PULASKI	52	49
STA.	TO STA.			
FED. ROAD DIST. NO.	ILLINOIS	FED. AID PROJECT		
CONTRACT NO. 98829				



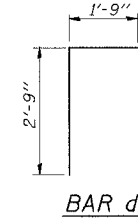
HALF LONG SECTION



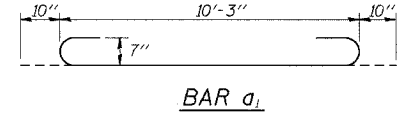
HALF ELEVATION



BARS h₃ & h₈



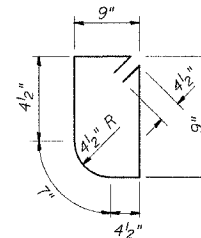
BAR d



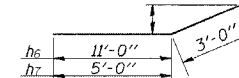
BAR a₁

DESIGN STRESSES
f_y = 60,000 psi
f'_c = 3,500 psi

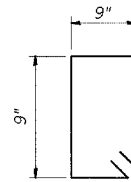
LOADING HS 20-44 & ALT.



Bar s₁
(Upstream)

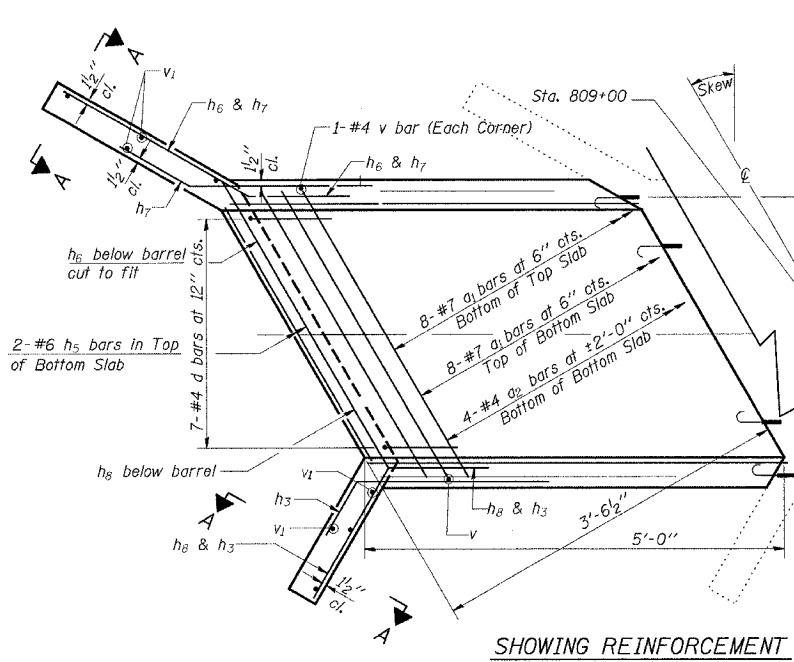


BARS h₆ & h₇

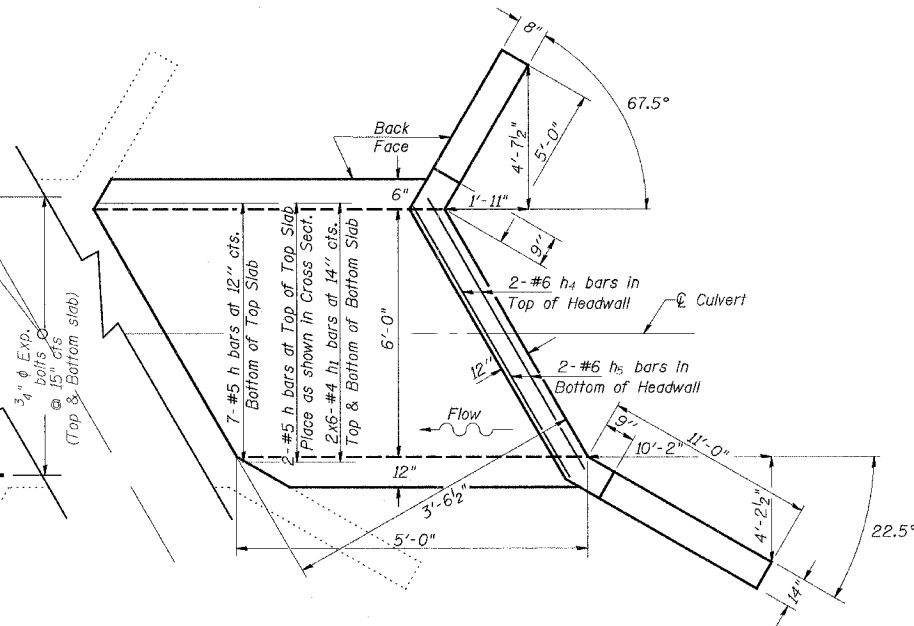


Bar s
(Downstream)

Dimensions at Rt. L's to $\text{\textcircled{C}}$ Roadway

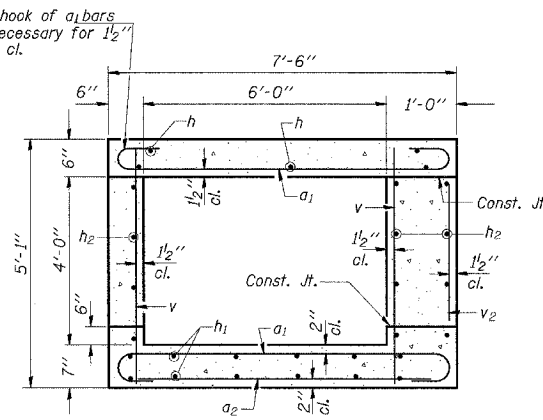


SHOWING REINFORCEMENT

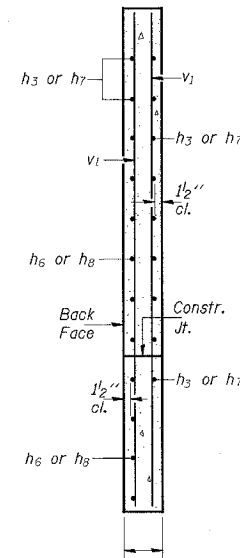


SHOWING OUTLINES

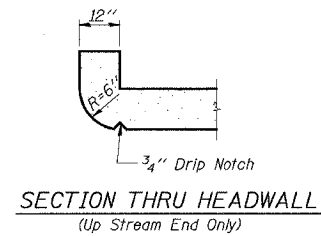
PLAN



SECTION THROUGH BARREL



SECTION A-A



SECTION THRU HEADWALL
(Up Stream End Only)

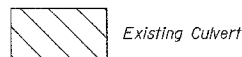
BILL OF MATERIAL

Bar	No.	Size	Length	Shape
a ₁	32	#7	11'-11"	U
a ₂	8	#4	10'-3"	U
d	14	#4	4'-6"	U
h	18	#5	4'-9"	U
h ₁	24	#4	4'-9"	U
h ₂	24	#5	4'-9"	U
h ₃	14	#4	8'-0"	U
h ₄	12	#6	10'-4"	U
h ₅	16	#6	10'-4"	U
h ₆	18	#5	14'-0"	U
h ₇	16	#5	8'-0"	U
h ₈	14	#4	8'-0"	U
s	45	#4	3'-9"	U
s ₁	9	#4	3'-7"	U
v	32	#4	4'-9"	U
v ₁	16	#4	7'-9"	U
v ₂	8	#5	3'-3"	U
Concrete Box Culverts	Cu. Yd.	17.3		
Reinforcement Bars	Pound	2571		
3/4" Expansion Bolts	Each	40		

NOTES

The entire barrel shall be poured monolithically with the wingwalls. Exposed edges shall be beveled 3/4". For backfilling and embankment, see Standard Specifications. Reinforcement Bars shall conform to the requirements of AASHTO M-31, M-42 or M-53, Grade 60. Bars indicated thus 12 x 4-#5 etc. indicates 12 lines of bars with 4 lengths per line. All construction joints shall be bonded. Expansion bolts shall consist of approved expansion anchors, providing minimum certified proof load = 4,080 lbs. and 3/4" ϕ x 12" hooked bolts. Hooked bolts shall extend a minimum of 9" into new concrete.

LEGEND



Existing Culvert

PLOT DATE = 3/21/2007
FILE NAME = c:\pcc\mcs\p984683\984683.dwg
PLOT SCALE = 1/8" = 1'-0"
USER NAME = ubonamir

SSB-H-L 6-1-2000

DETAILS: BOX CULVERT EXTENSION STA 809+00

ILLINOIS DEPARTMENT OF TRANSPORTATION
BOX CULVERT EXTENSION
STATION 809+00
6' X 4', SKEW 45° LT. AH.
EXTEND 5'-0"