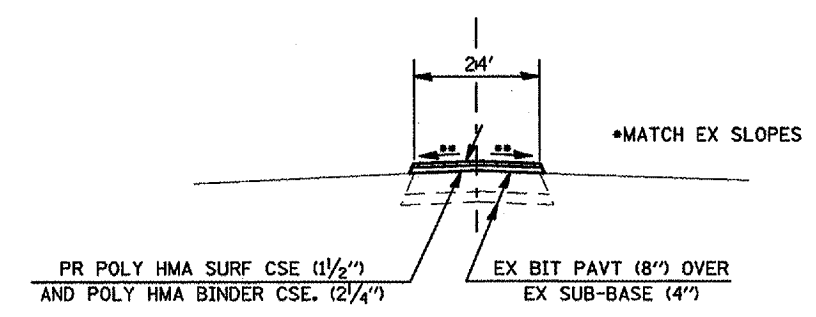
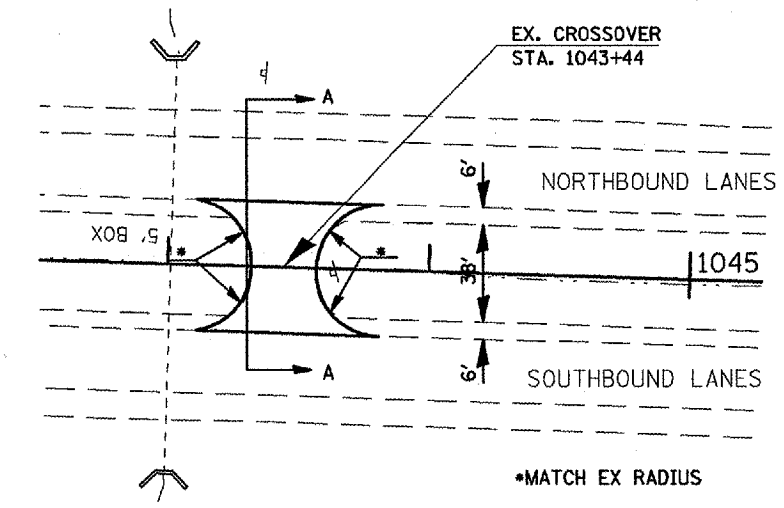


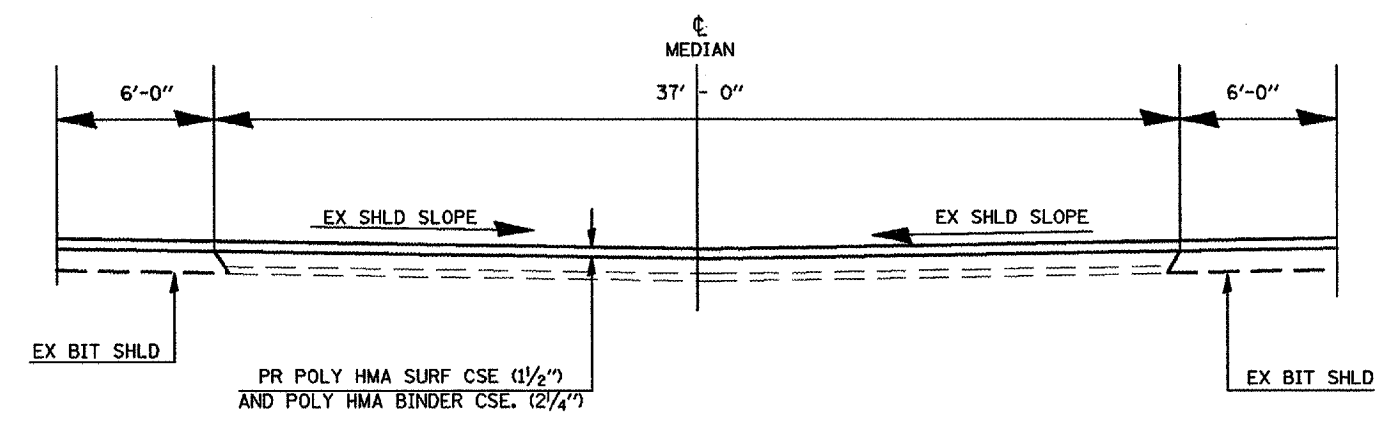
F.A.I. RTE.	SECTION	COUNTY	TOTAL SHEETS	SHEET NO.
57	02-01-11-21-0RS-1	ALEXANDER	22	18
STA.		TO STA.		
FED. ROAD DIST. NO.	ILLINOIS	FED. AID PROJECT		

CROSSOVER RESURFACING DETAIL

N
NOT TO SCALE



CROSSOVER TYPICAL



DETAIL A-A

PLOT DATE = 4/2/2007
 PLOT SCALE = 1"=40'
 USER NAME = masonr