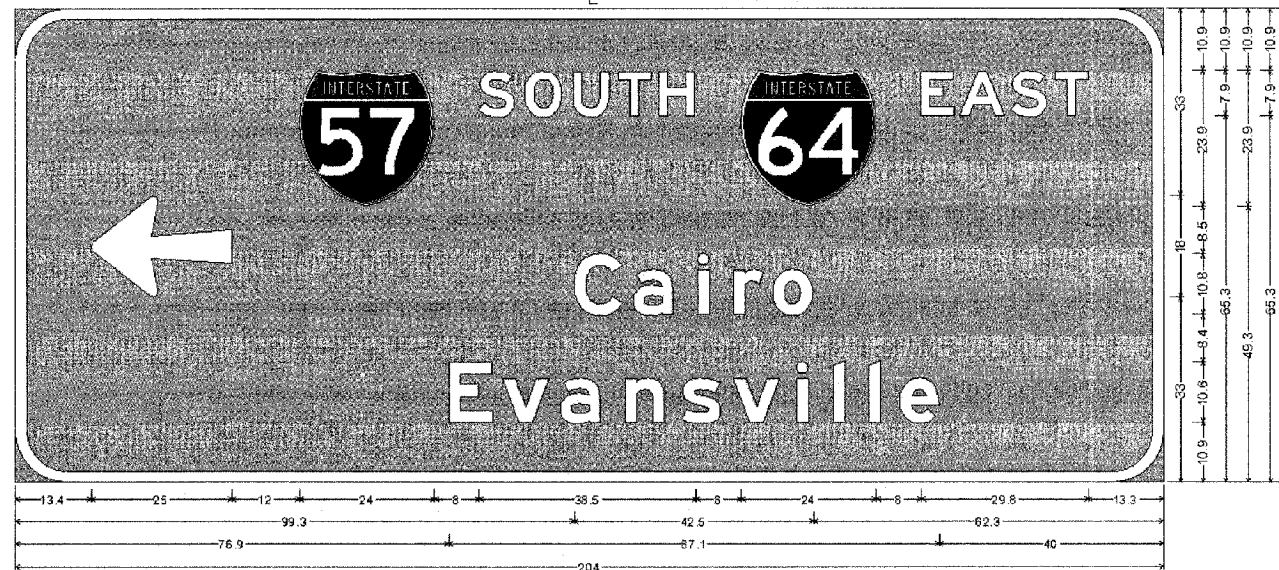


F.A.I. RTE.	SECTION	COUNTY	TOTAL SHEETS	SHEET NO.
57/64	441-3/HBK	JEFFERSON	318	252
STA.		TO STA.		
FED. ROAD DIST. NO.		ILLINOIS FED. AID PROJECT		

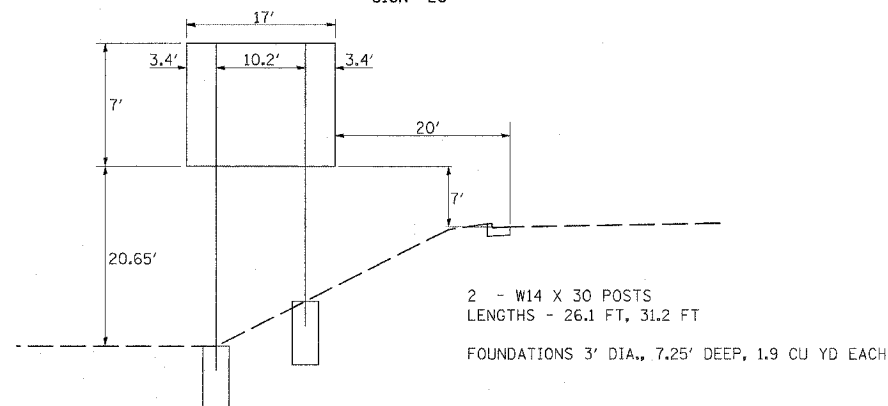
SIGN NO. 20
STA 45+35 LT CL VETERANS MEMORIAL DR



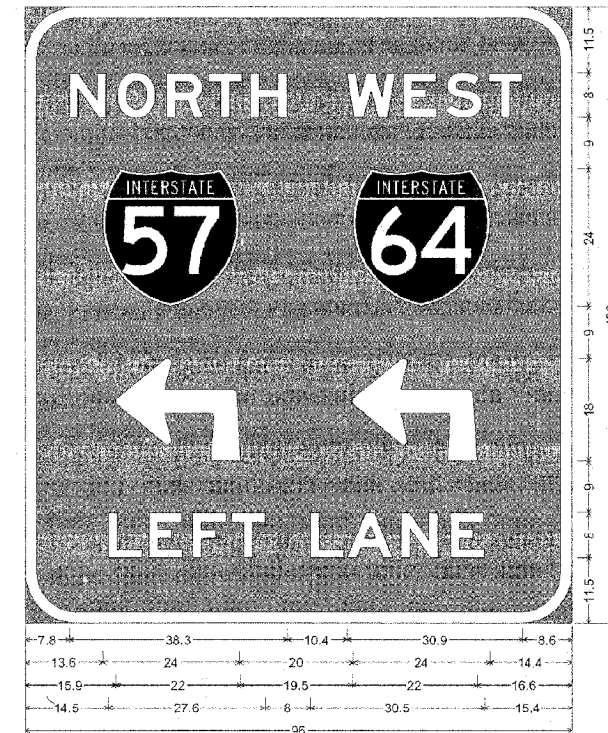
9.0" Radius, 2.0" Border, White on Green;
"SOUTH" E Mod 2K; "EAST" E Mod 2K; "Cairo" E Mod 2K; "Evansville" E Mod 2K;
Table of letter and object lefts.

S	O	U	T	H	E	A	S	T			
13.4	50.4	82.4	90.5	99.1	107.1	114.5	129.0	161.0	187.8	177.0	184.8
C	a	i	r	o							
99.3	109.9	121.3	127.5	134.5							
E	v	a	n	s	v	i	l	e			
76.9	86.5	96.9	108.1	118.4	127.5	139.0	145.3	151.8	157.0		

DETAIL
SIGN #20



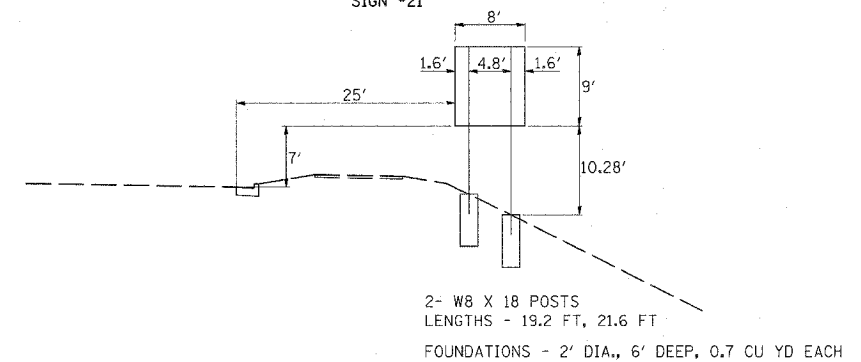
SIGN NO. 21
STA 47+70 RT CL VETERANS MEMORIAL DR



9.0" Radius, 2.0" Border, White on Green;
"NORTH" E Mod 2K; "WEST" E Mod 2K; 90 Deg Advanced Turn Arrow 22.0" X 18.0";
90 Deg Advanced Turn Arrow 22.0" X 18.0"; "LEFT LANE" E Mod 2K;
Table of widths and spaces.

N	O	R	T	H	W	E	S	T										
7.8	6.5	1.9	6.8	1.9	6.4	0.9	5.9	1.5	6.4	10.5	8.5	1.5	5.9	1.4	6.5	1.1	6.0	8.6
13.6	24.0	20.0	24.0	14.4														
15.9	22.0	19.5	22.0	16.6														
L	E	F	T	L	A	N	E											
14.5	6.0	1.3	5.9	1.6	6.0	0.9	5.9	8.0	5.9	0.5	8.0	1.5	6.5	2.3	5.9	15.3		

DETAIL
SIGN #21



PLOT DATE = 8/31/2007 10:45 AM
FILE NAME = I:\98963\10252015\DOT Rev\F5\F03506.dgn
USER NAME = j...
USER NOTE = Rev