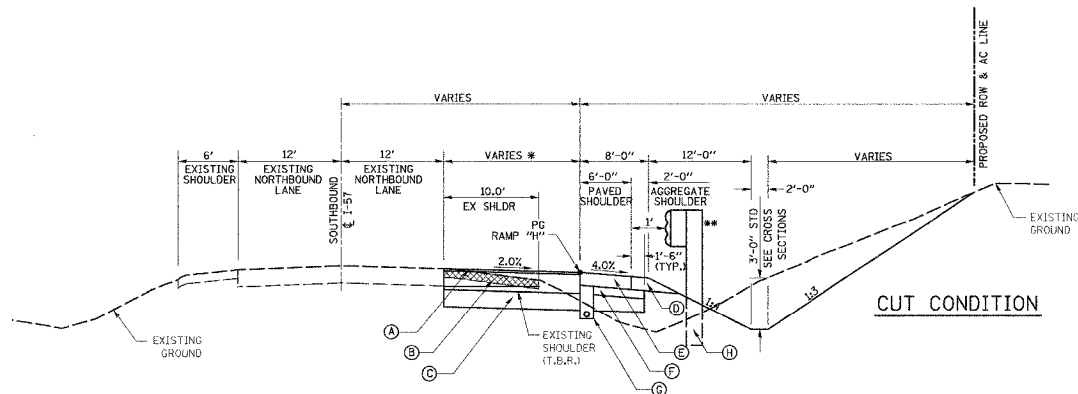
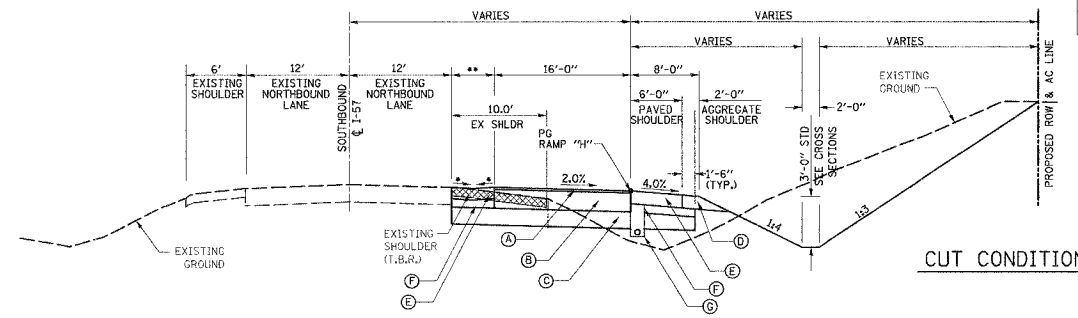


F.A.I. RTE.	SECTION	COUNTY	TOTAL SHEETS	SHEET NO.
57	(X1-6-2)HBK	WILLIAMSON	272	17
STA. N/A		TO STA. N/A		
FED. ROAD DIST. NO. 9		ILLINOIS FED. AID PROJECT		



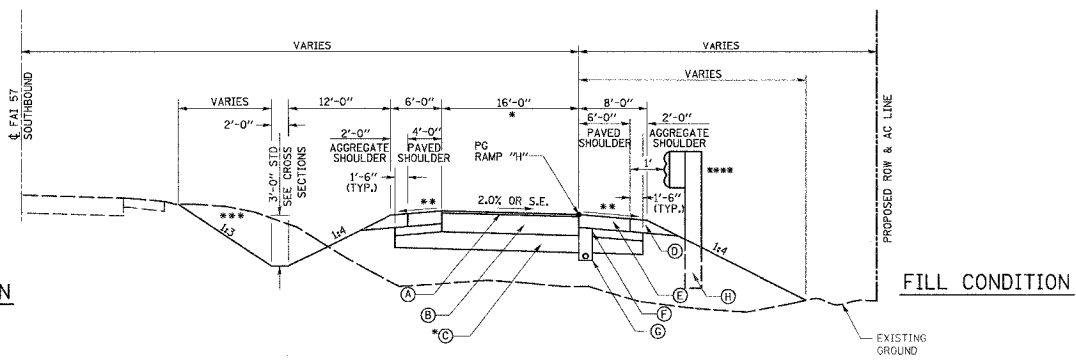
RAMP "H" - SECTION 1
STA 0+00.00 TO STA 3+00.00

- * PAVEMENT WIDTH TRANSITION FROM 1'-6" TO 17'-6"
- ** GUARDRAIL BEGINS AT STA. 400+98.27 (I-57) RT. GUARDRAIL ENDS AT STA. 2+44.43 RT.



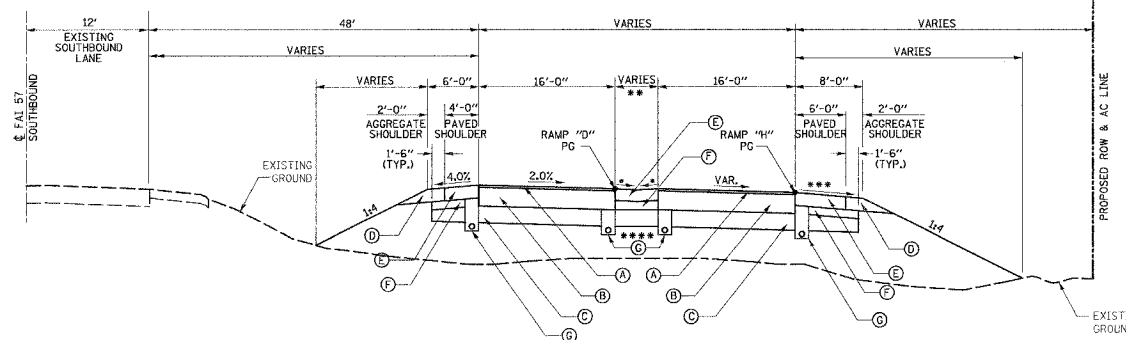
RAMP "H" - SECTION 2
STA 3+00.00 TO STA 6+60.00

- * 1.5% SLOPE TO SWALE FOR DRAINAGE IN GORE AREA
- ** WIDTH TRANSITION FROM 1'-6" TO 21'-0" SEE CROSS SECTIONS



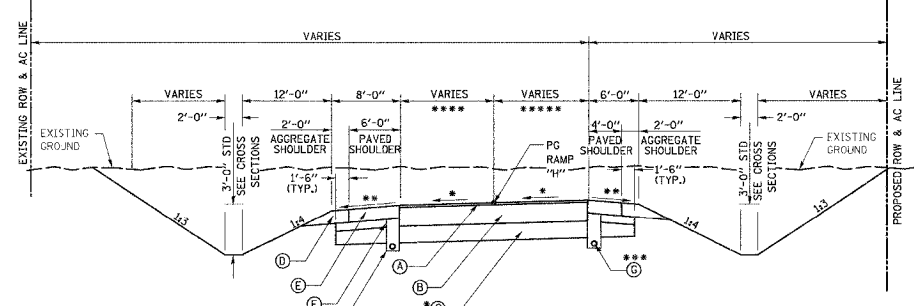
RAMP "H" - SECTION 3
STA 6+60.00 TO STA 21+07
STA 23+75.89 TO STA 30+78.22

- * STA 15+97.26 TO STA 21+07 WIDTH TRANSITION FROM 16'-0" TO 33'-0"
- ** VARIES 4% TO 0.5% AT S.E. LT. AND 4% OR S.E., WHICHEVER IS GREATER RT.
- *** MATCH 1:6 FORESLOPE OF EXISTING FAI 57
- **** GUARDRAIL BEGINS AT STA. 13+34.06 RT. GUARDRAIL ENDS AT STA. 16+09.37 RT.



RAMP "H" - SECTION 4
STA 21+07 TO STA 23+75.89

- * 1.5% SLOPE TO SWALE FOR DRAINAGE IN GORE AREA
- ** WIDTH TRANSITION FROM 1' TO 16' SEE CROSS SECTIONS
- *** 4% OR SE, WHICHEVER IS GREATER
- **** SEE SHEET 47 FOR LOCATION OF DRAINS



RAMP "H" - SECTION 5
STA 30+78.22 TO STA 34+85.64

- * SUPERELEVATION TRANSITION STA. 30+78.22 TO 34+85.64 SEE INTERSECTION DETAILS.
- ** 4% OR SE, WHICHEVER IS GREATER LT., VARIES 4% TO 0.5% RT.
- *** STA. 31+39.21 TO STA. 34+02.80
- **** WIDTH VARIES FROM 16'-0" TO 12'-0"
- ***** WIDTH VARIES FROM 0'-0" TO 12'-0"

NOTE:
EXISTING PIPE UNDERDRAINS PARALLEL TO I-57 WHICH ARE DISTURBED DURING CONSTRUCTION SHALL BE REPLACED OR REMOVED AND RE-INSTALLED TO MATCH EXISTING CONDITION PRIOR TO RAMP CONSTRUCTION. COST SHALL BE INCLUDED IN THE COST OF VARIOUS ITEMS OF WORK.
WHERE PROPOSED GRADING WILL INTERFERE WITH EXISTING PIPE UNDERDRAIN OUTLETS OR WHEN THEY ARE DISTURBED DURING CONSTRUCTION, THEY SHALL BE REMOVED AND RE-INSTALLED AND/OR EXTENDED TO "DAYLIGHT". THE EXISTING PRECAST HEADWALLS SHALL BE SALVAGED AND RESET. WORK SHALL BE PAID FOR AT UNIT PRICE OF VARIOUS ITEMS OF WORK.

STRUCTURAL DESIGN TRAFFIC:	YEAR: 2020	
PV = 5,179.	SU = 248.	MU = .83.
ROAD CLASSIFICATION:	CLASS: I	
PERCENT OF STRUCTURAL DESIGN TRAFFIC IN DESIGN LANE:		
P = 100%	S = 100%	M = 100%
SUBGRADE SUPPORT RATING:	FAIR	
PAVEMENT DESIGN:		
HOT-MIX ASPHALT SURFACE, 1.5"		
HOT-MIX ASPHALT BINDER, 1.5"		
LIME MODIFIED OR GRANULAR SUBBASE, 12"		
(VARIABLE LOCATIONS)		

- LEGEND**
- (A) POLYMERIZED HOT-MIX ASPHALT SURFACE COURSE, MIX "D", NIOS, 1.5"
 - (B) POLYMERIZED HOT-MIX ASPHALT BINDER COURSE, IL-25.0, NIOS, 1.5"
 - (C) LIME MODIFIED SOIL, 12" SUBBASE GRANULAR MATERIAL, TYPE A, 12" STATION 25+00 TO STATION 33+00
 - (D) AGGREGATE SHOULDER TYPE B, 8"
 - (E) HOT-MIX ASPHALT SHOULDERS, SUPERPAVE, 8"
 - (F) SUBBASE GRANULAR MATERIAL, TYPE C, 8-1/2"
 - (G) PIPE UNDERDRAINS, 4"
 - (H) STEEL PLATE BEAM GUARDRAIL, TYPE A

REVISIONS	
NAME	DATE

ILLINOIS DEPARTMENT OF TRANSPORTATION
TYPICAL SECTIONS - RAMP 'H'
MORGAN AVENUE INTERCHANGE
FAI ROUTE 57 WITH FAU ROUTE 9718
WILLIAMSON COUNTY
SCALE: NONE
DATE: 4-26-2007
DRAWN BY: DEH
CHECKED BY: RD

PLOT DATE = 4/26/2007
FILE NAME = P:\2006\98994\98994.dgn
PLOT SCALE = 1/8" = 1'-0"
USER NAME = gmoorme