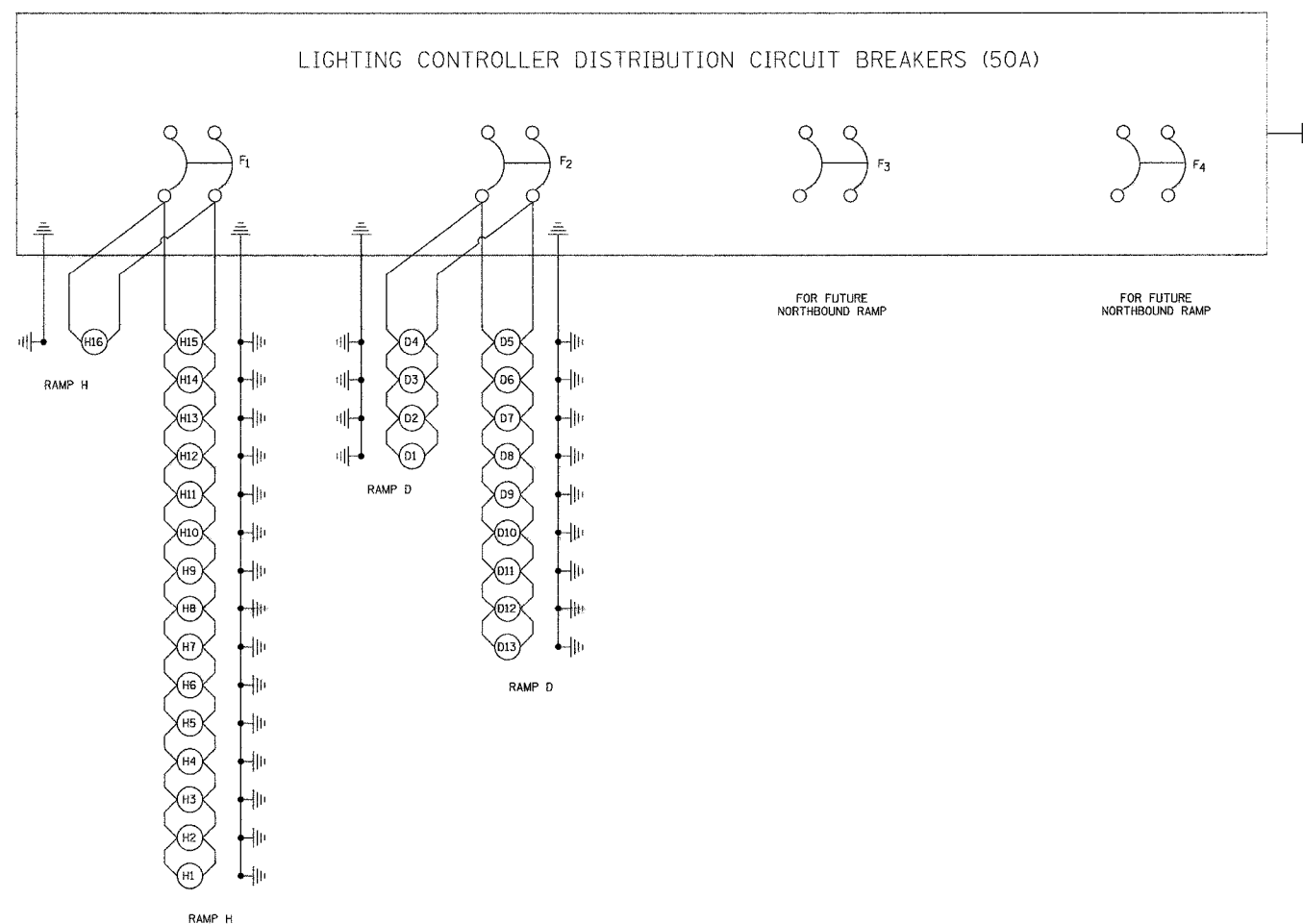


F.A.I. RTE.	SECTION	COUNTY	TOTAL SHEETS	SHEET NO.
57	04-0009700BR	WILLIAMSON	272	80
STA.	TO STA.			
FED. ROAD DIST. NO. 9	ILLINOIS	FED. AID PROJECT		



PLOT DATE = 3/19/2007
 FILE NAME = F:\MORAN\2007\04\080011\lg01.dgn
 PLOT SCALE = 60.0000 / IN.
 USER NAME = dhoward

REVISIONS	
NAME	DATE

ILLINOIS DEPARTMENT OF TRANSPORTATION
LIGHTING PLAN
LIGHTING CONTROLLER CIRCUIT
 MORGAN AVENUE INTERCHANGE
 FAP ROUTE 57 WITH FAU ROUTE 9718
 WILLIAMSON COUNTY

5 OF 9

SCALE: N/A
 DATE: 3-19-2007

DRAWN BY: BLR
 CHECKED BY: RSD