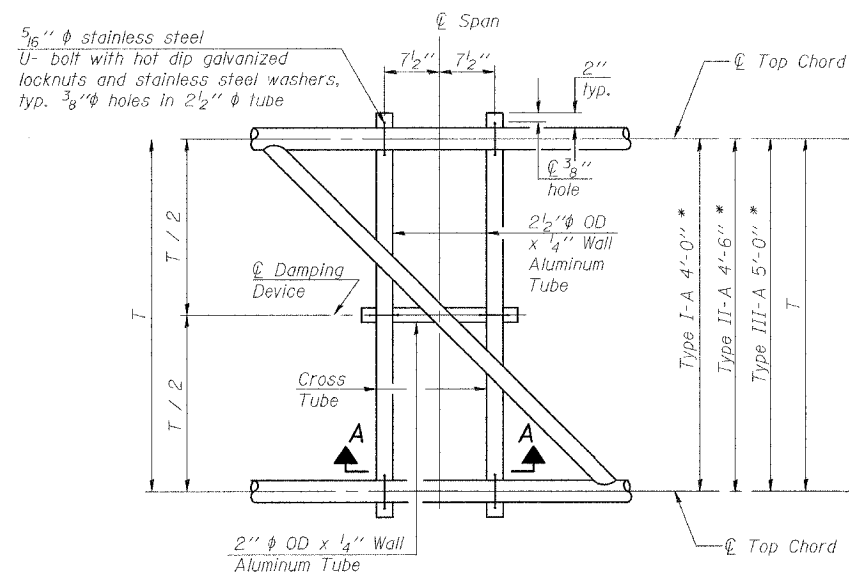
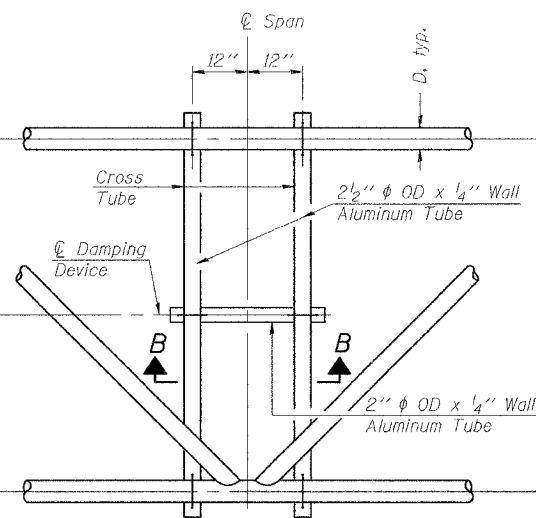


F.A.I. RTE.	SECTION	COUNTY	TOTAL SHEETS	SHEET NO.
57	X1-6-2HKB	WILLIAMSON	272	110
STA.	TO STA.			
FED. ROAD DIST. NO. 9 ILLINOIS FED. AID PROJECT				

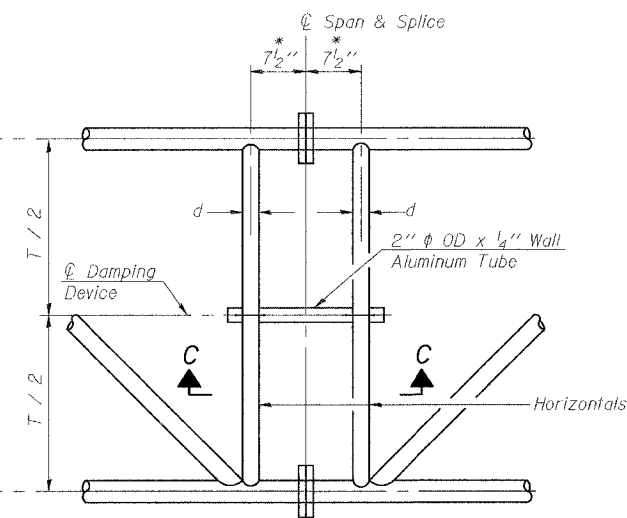
* Center of horizontal to center of splice dimension may vary. Verify before drilling holes in mounting tube.



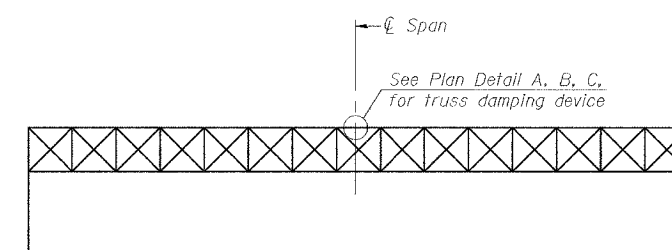
PLAN DETAIL "A"
Span between Panel Points



PLAN DETAIL "B"
Span at Panel Point



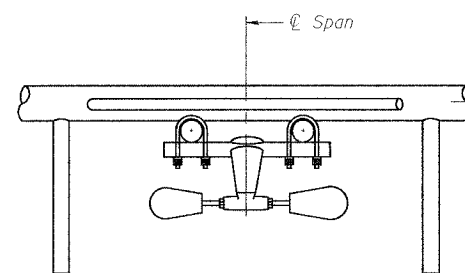
PLAN DETAIL "C"
Span at Chord Splice



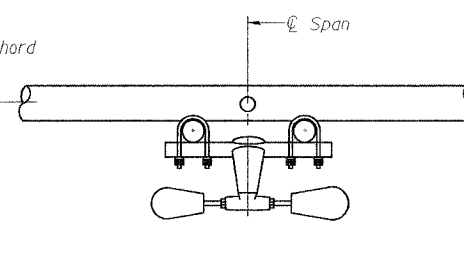
ELEVATION
Aluminum Overhead Sign Truss

NOTES
Damper: One damper per truss.
(31 lbs. Stockbridge-Type Aluminum)
Cost Included in Overhead Sign Structure...

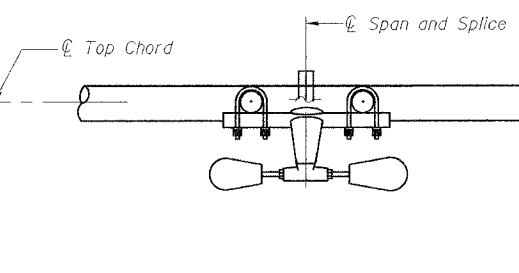
Materials: Aluminum tubes shall be ASTM B221 alloy 6061 temper T6. Cost included in Overhead Sign Structure...



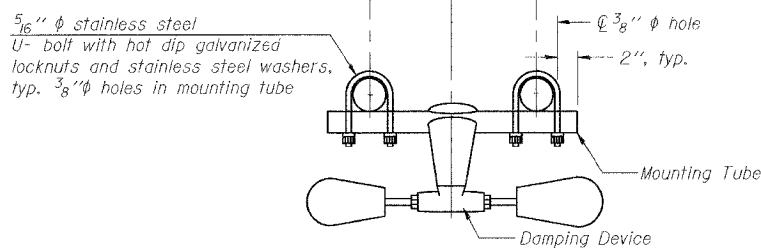
SECTION A-A



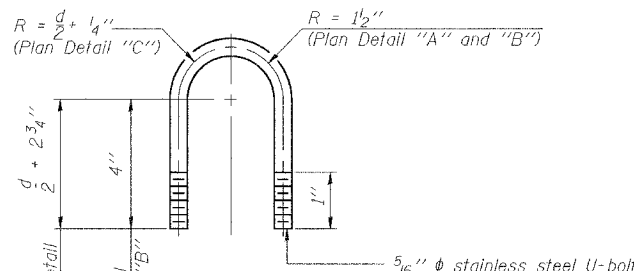
SECTION B-B



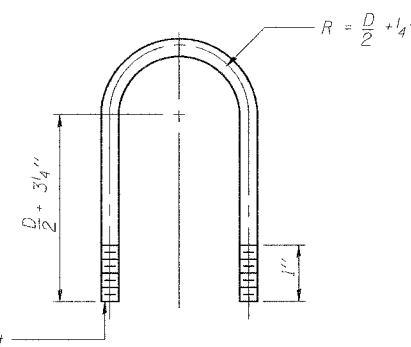
SECTION C-C



TRUSS DAMPING DEVICE CONNECTION DETAIL
(Typical)



DAMPING DEVICE MOUNTING TUBE U-BOLT DETAIL
(Typical)



TOP CHORD TO CROSS TUBE U-BOLT DETAIL
(Typical - Detail "A" and "B")

PLOT DATE = 3/18/2007
PLOT SCALE = 0.125000 X 1/16
USER NAME = dhoerner