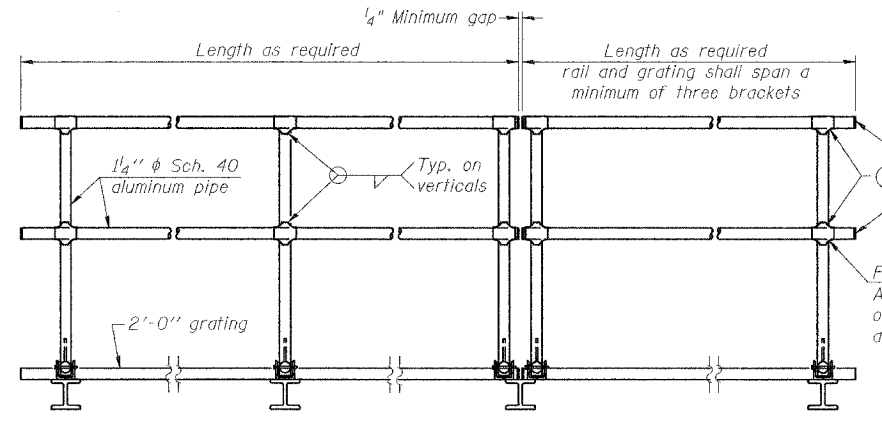
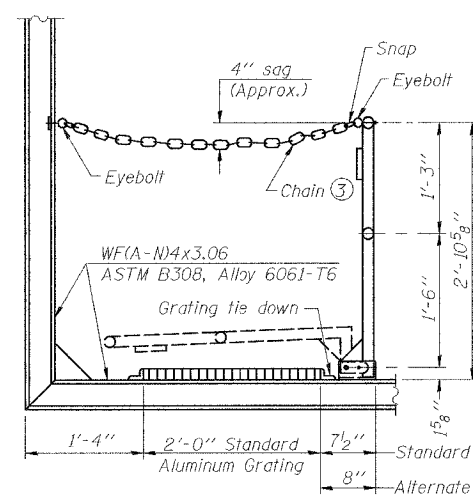
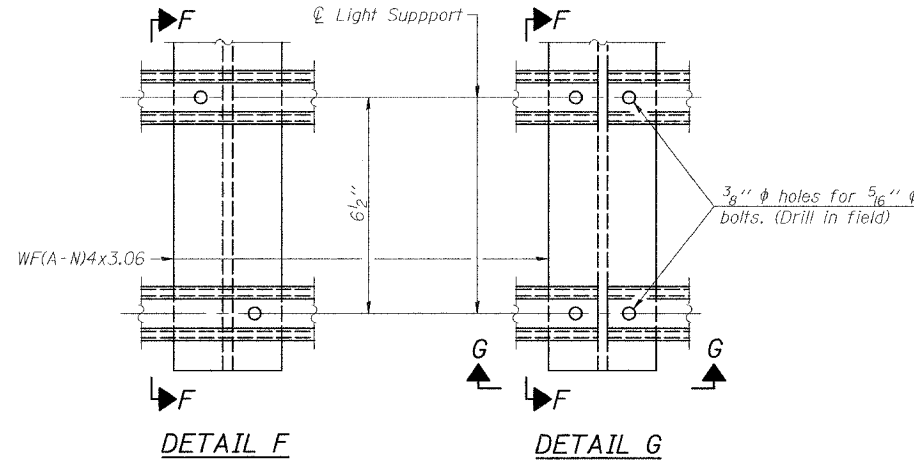


F.A.I. RTE.	SECTION	COUNTY	TOTAL SHEETS	SHEET NO.
57	0X1-6-2H8K	WILLIAMSON	272	115
STA.	TO STA.			
FED. ROAD DIST. NO. 9	ILLINOIS	FED. AID PROJECT		



① Install standard force-fit end caps or weld 1/8" end plates with 1/8" c.f.w. and grind smooth. (All rail ends)

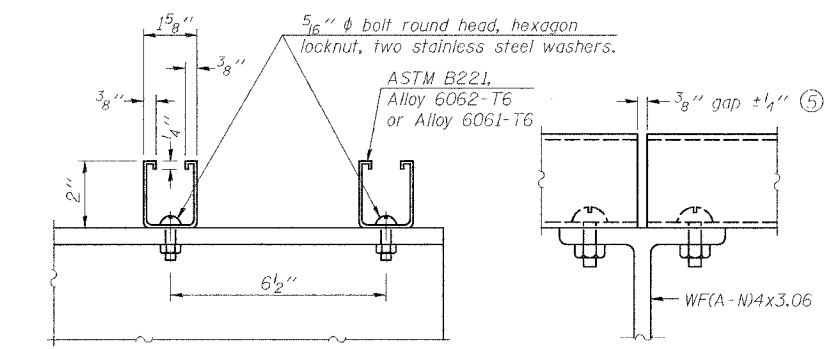
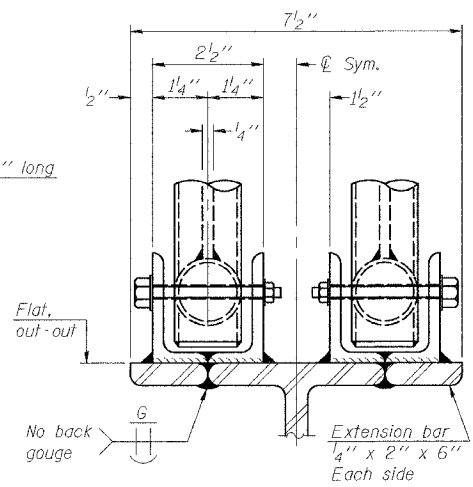
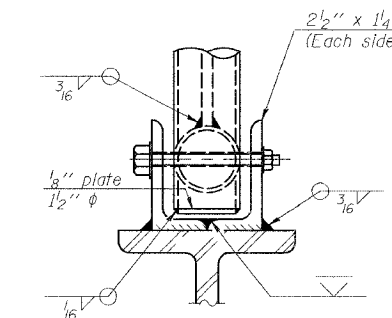
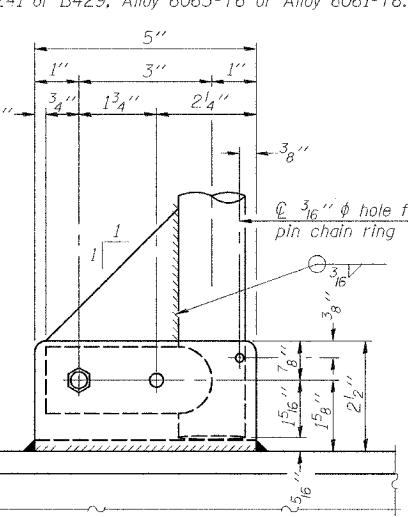
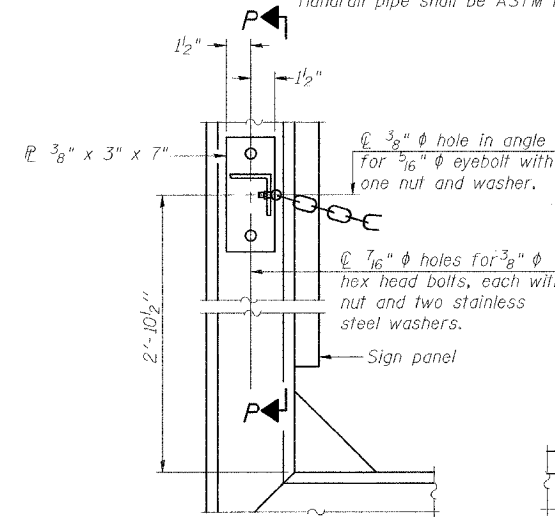
② Horizontal handrail member shall be continuous thru fitting. Provide 1/16" diameter hole in fitting for 3/8" diameter bolt. Field drill 7/16" diameter hole in horizontal rail member. Provide locknut and two stainless steel washers for bolt. (Use 5/16" diameter eyebolts in 7/16" diameter holes on top rail at ends only.)



**SIDE ELEVATION**  
(Showing safety chain w/o sign)

**HANDRAIL DETAILS**  
Handrail pipe shall be ASTM B241 or B429, Alloy 6063-T6 or Alloy 6061-T6.

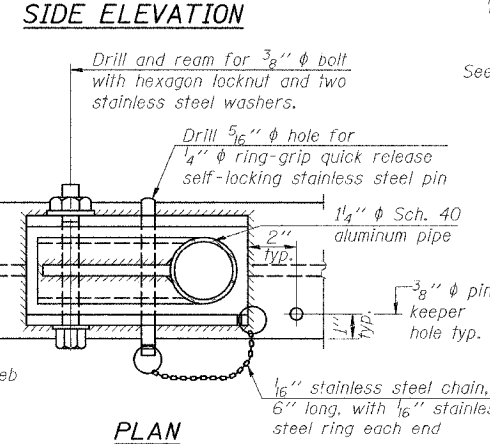
**FRONT ELEVATION**



**SECTION F-F**  
**SECTION G-G**  
**LIGHTING FIXTURE MOUNTS (IF REQUIRED)**

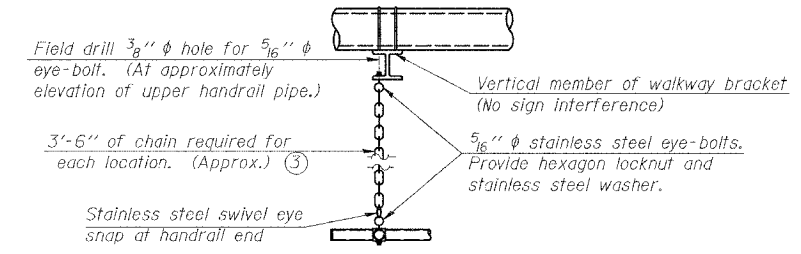
⑤ Field cut ends of light support channels shall be free of burrs or hazardous projections and coated with zinc-rich primer or equivalent.

**ALTERNATE SAFETY CHAIN ATTACHMENT**  
(With Sign Present)  
Items not shown same as "Side Elevation" of "Handrail Details"

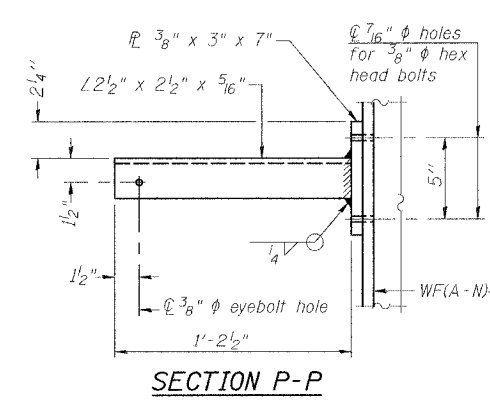


**FRONT ELEVATION**  
See "Elevation" at right for dimensions.

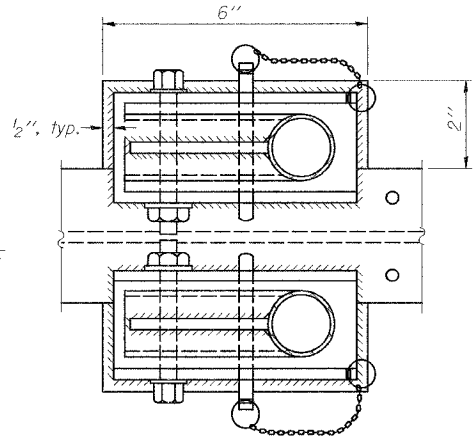
**ELEVATION AT HANDRAIL JOINT** ④



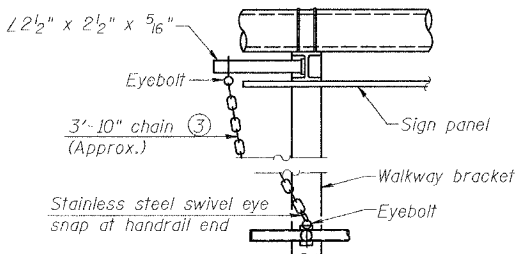
**SAFETY CHAIN**  
One required for each end of each walkway.



**PLAN**  
**DETAIL E HANDRAIL HINGE**



**PLAN AT HANDRAIL JOINT**  
Details not shown same as "PLAN"



**ALTERNATE SAFETY CHAIN ATTACHMENT**  
Details not shown similar to "Safety Chain" Details (Walkway omitted for clarity)

③ 3/16" Type 304L stainless steel chain, approximately 12 links per foot.

④ Extrusions may be used in lieu of the details shown, with approval of the Engineer.

NUMBER	REVISION	DATE

ILLINOIS DEPARTMENT OF TRANSPORTATION

**OVERHEAD SIGN STRUCTURES**  
**ALUMINUM HANDRAIL DETAILS**

MORGAN AVENUE INTERCHANGE  
FAI ROUTE 57 WITH FAU ROUTE 9718  
WILLIAMSON COUNTY

SHEET 9 OF 11

SCALE: N/A DATE: 3-19-2007

PLOT DATE = 5/15/2007  
 FILE NAME = P:\2006\05\07\01\0000\050701-01.dwg  
 PLOT SCALE = 80/8000 = 1" = 100'  
 USER NAME = jhoerrner