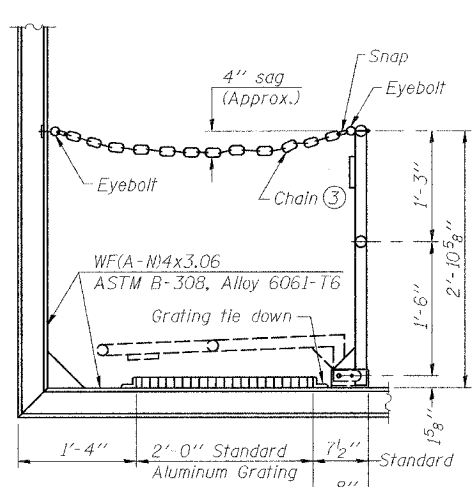
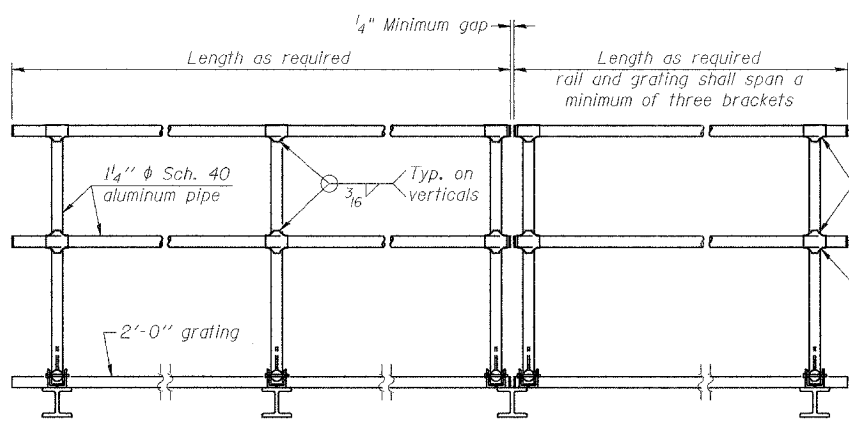


F.A.I. RTE.	SECTION	COUNTY	TOTAL SHEETS	SHEET NO.
57	0X1-6-21HBK	WILLIAMSON	272	125
STA.	TO STA.			
FED. ROAD DIST. NO. 9	ILLINOIS	FED. AID PROJECT		



SIDE ELEVATION

(Showing Safety Chain W/O Sign)



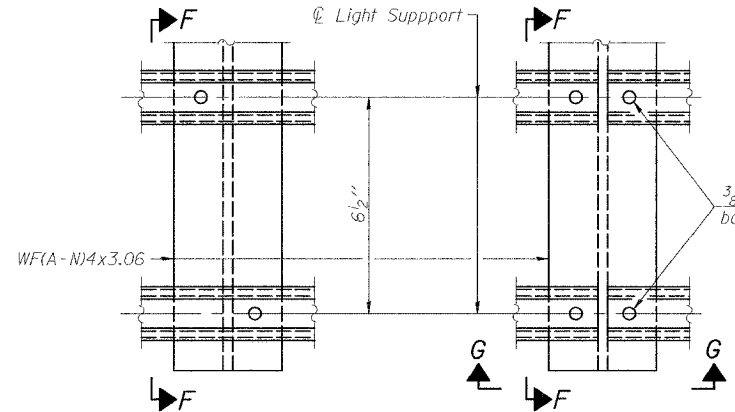
FRONT ELEVATION

HANDRAIL DETAILS

Handrail pipe shall be ASTM B241 or B429, Alloy 6063-T6 or Alloy 6061-T6.

① Install standard force-fit end caps or weld 1/2" end plates with 1/2" c.f.w. and grind smooth. (All rail ends)

② Horizontal handrail member shall be continuous thru fitting. Provide 7/16" hole in fitting for 3/8" bolt. Field drill 1/16" hole in horizontal rail member. Provide locknut and two stainless steel washers for bolt. (Use 5/16" eyebolts in 7/16" holes on top rail at ends only.)



DETAIL F

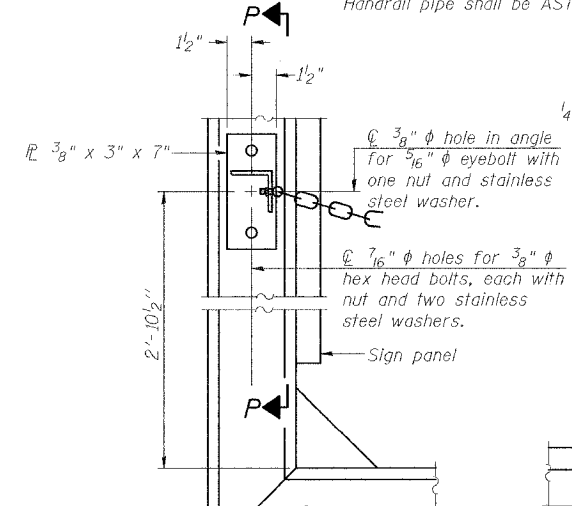
DETAIL G

SECTION F-F

SECTION G-G

LIGHTING FIXTURE MOUNTS (IF REQUIRED)

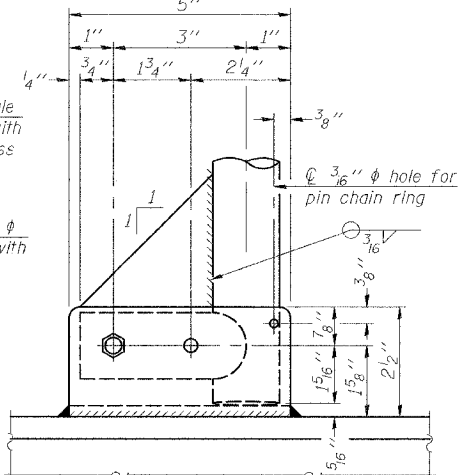
⑤ Field cut ends of light support channels shall be free of burrs or hazardous projections and coated with zinc-rich primer or equivalent.



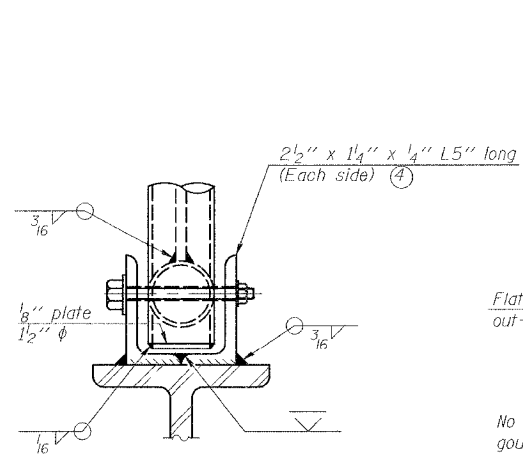
ALTERNATE SAFETY CHAIN ATTACHMENT

(With Sign Present)

Items not shown same as "Side Elevation" of "Handrail Details"

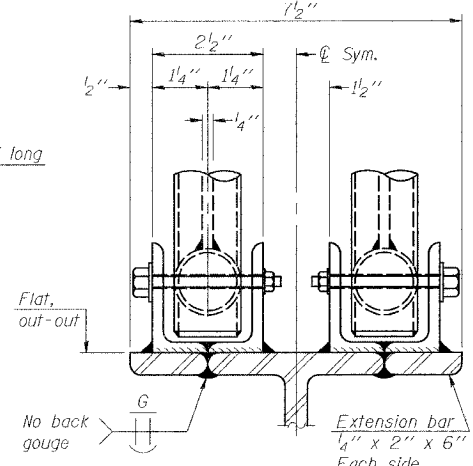


SIDE ELEVATION



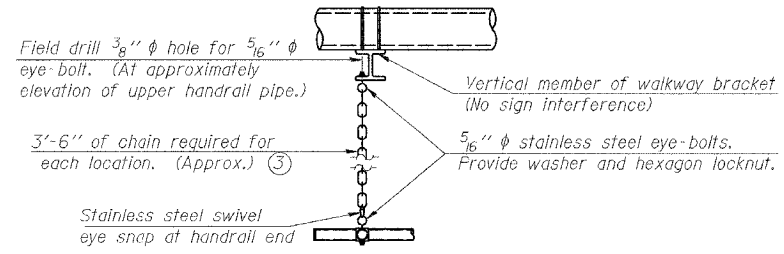
FRONT ELEVATION

Details not shown same as "ELEVATION" at right.



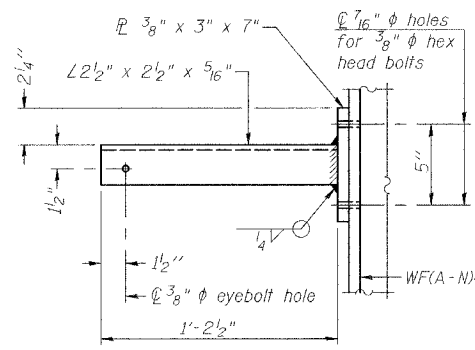
ELEVATION AT HANDRAIL JOINT

Details not shown same as "FRONT ELEVATION"

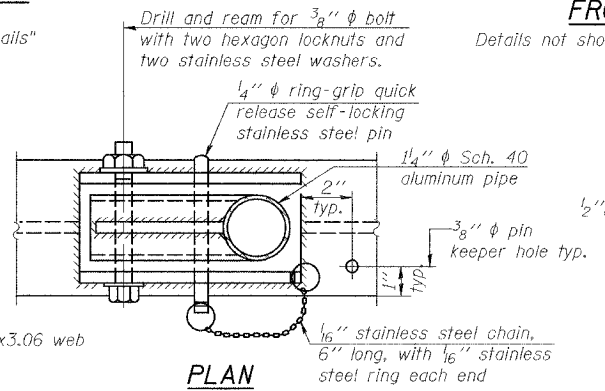


SAFETY CHAIN

One required for each end of each walkway.

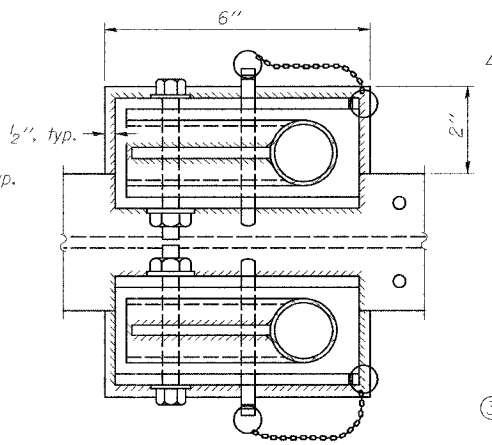


SECTION P-P



PLAN

DETAIL E HANDRAIL HINGE



PLAN AT HANDRAIL JOINT

Details not shown same as "PLAN"

ALTERNATE SAFETY CHAIN ATTACHMENT

Details not shown similar to "Safety Chain" Details (Walkway omitted for clarity)

③ 3/16" Type 304L stainless steel chain, approximately 12 links per foot.

④ Extrusions may be used in lieu of the details shown, with approval of the Engineer.

NUMBER	REVISION	DATE

PLOT DATE = 5/15/2007
 FILE NAME = P:\2006\0504.dwg
 PLOT SCALE = 80/8000 = 1/100
 USER NAME = dhoerner

ILLINOIS DEPARTMENT OF TRANSPORTATION
CANTILEVER SIGN STRUCTURES
HANDRAIL DETAILS
ALUMINUM TRUSS & STEEL POST

MORGAN AVENUE INTERCHANGE
 FAI ROUTE 57 WITH FAU ROUTE 9718
 WILLIAMSON COUNTY

SHEET 8 OF 9

SCALE: N/A DATE: 3-19-2007