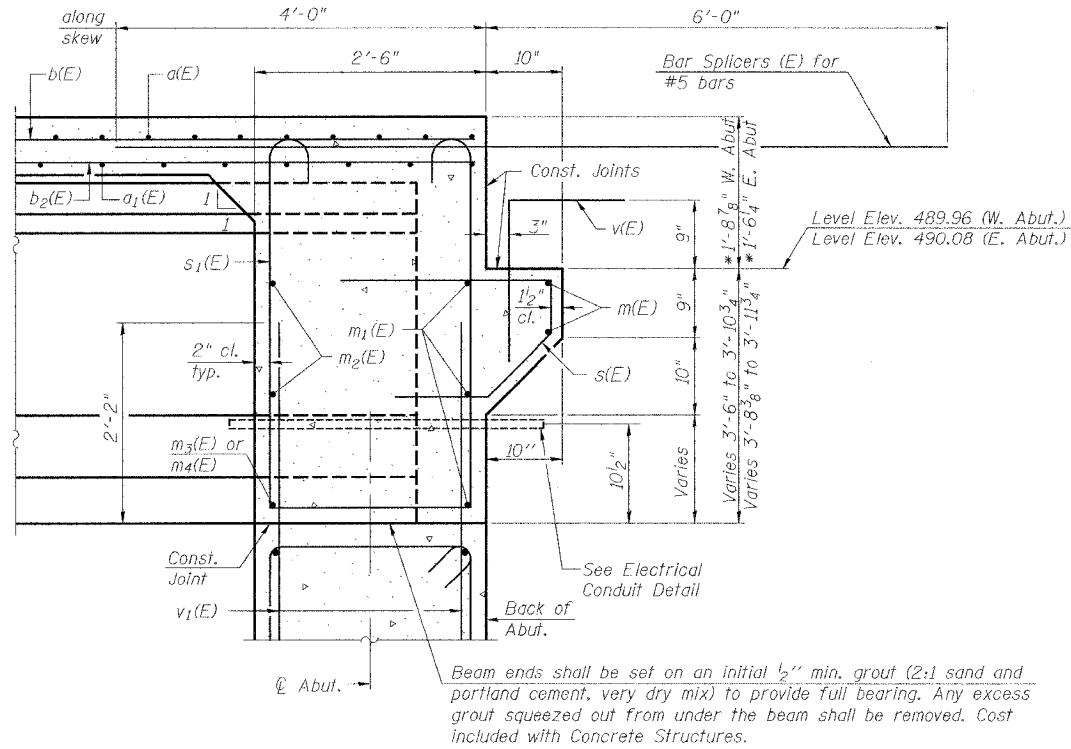


STATE OF ILLINOIS  
DEPARTMENT OF TRANSPORTATION

ROUTE NO.	SECTION	COUNTY	PROJECT	SHEET	SHEET NO. 13 33 SHEETS
FAI 57	XI-6-2)HBK	Williamson	272	148	
FED. ROAD DIST. NO. 7		ILLINOIS FED. AID PROJECT			

Contract # 98994

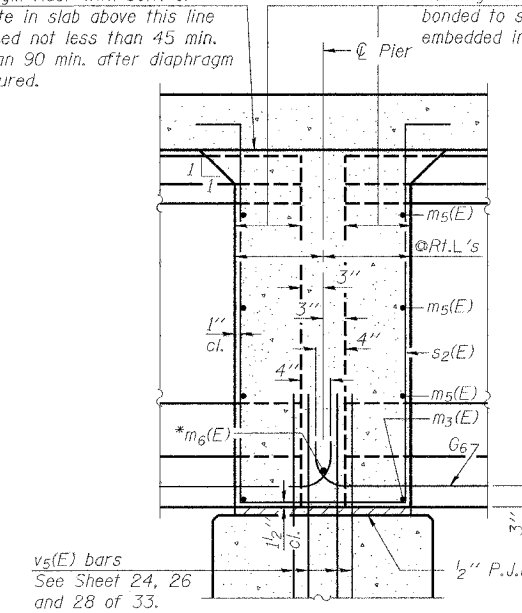


**SECTION A-A**

Dimensions at right angles to abutment, except as shown.  
\* at  $\varnothing$  Roadway

Pour diaphragm flush with bott. of slab. Concrete in slab above this line shall be placed not less than 45 min. nor more than 90 min. after diaphragm has been poured.

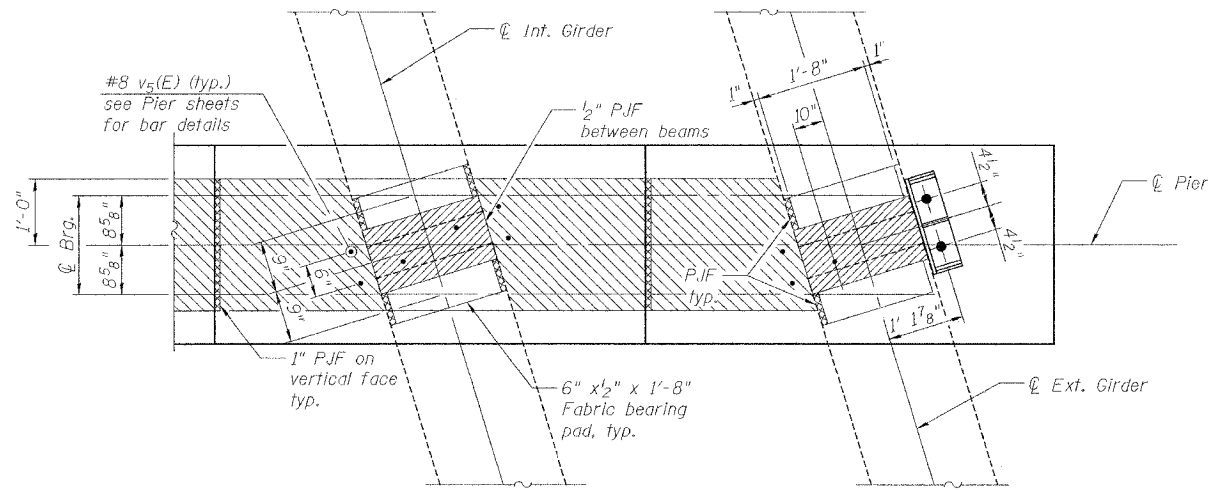
Roofing felt shall be bonded to side of beam embedded into diaphragm.



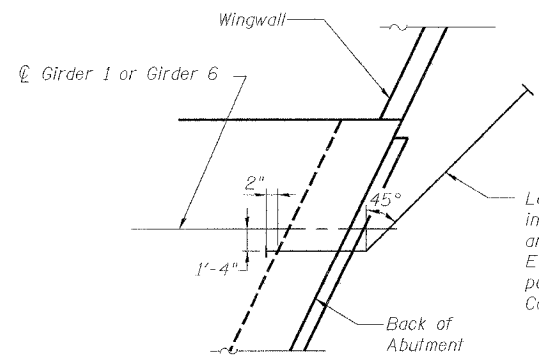
**SECTION B-B**

Dimensions along  $\varnothing$  of beam, except as shown.

\* Tightly fasten the #8 bars together with No. 9 wire ties.



**PLAN AT PIER**  
(Showing bearing pad and P.J.F. details)



**PLAN - ELECTRICAL CONDUIT**  
(Showing Typical Outside Corner)

Note:  
See sheet 9 of 33 for location of Sections A-A and B-B.

THOUVENOT, WADE & MOERCHEN, INC.



DESIGNED	ALN
CHECKED	BWP
DRAWN	KBF
CHECKED	BWP/ALN

DIAPHRAGM DETAILS  
MORGAN AVE. OVER I-57  
FAI ROUTE 57 - SECTION (X1-6-2)HBK  
WILLIAMSON COUNTY  
STATION 34+69.21  
STRUCTURE NO. 100-0092