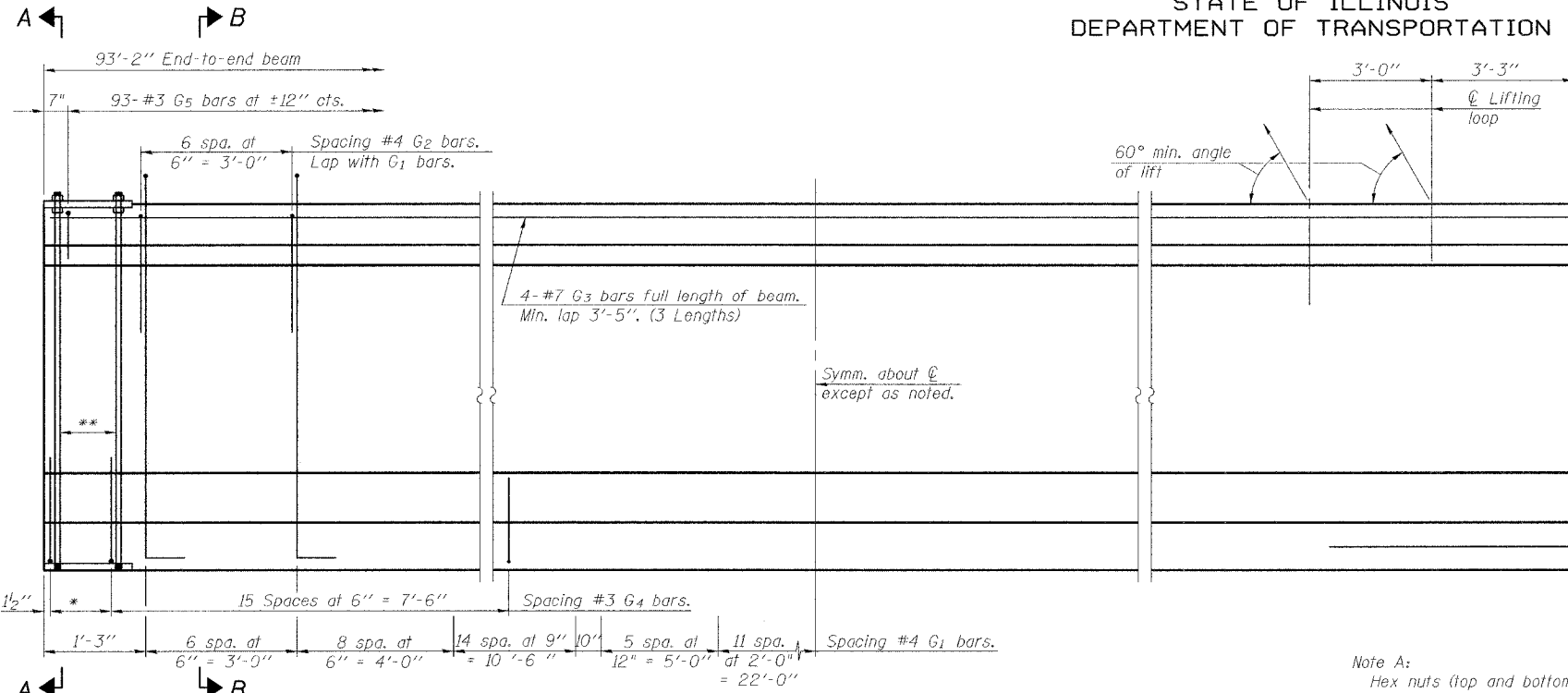


STATE OF ILLINOIS
DEPARTMENT OF TRANSPORTATION

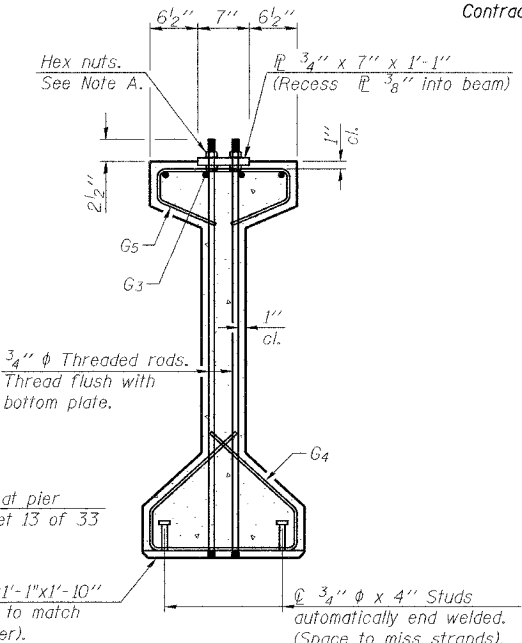
ROUTE NO.	SECTION	COUNTY	TOTAL SHEETS	SHEET NO.	SHEET NO. 18
FAI 57	(X1-6-2)HBK	Williamson	272	153	33 SHEETS
FED. ROAD DIST. NO. 7	ILLINOIS	FED. AID PROJECT	Contract # 98994		



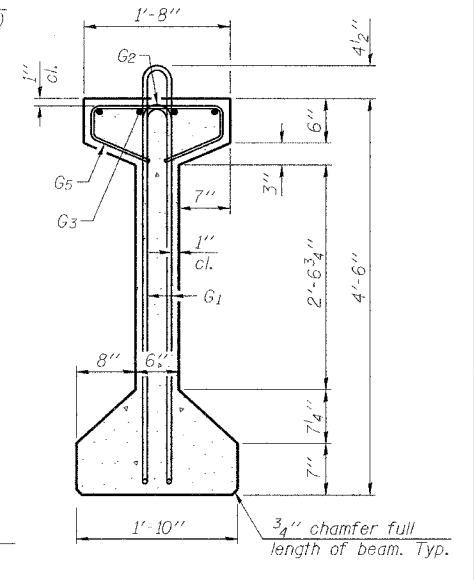
* 3 spaces at 3" = 9".
** 4-3/4" ϕ threaded dowel rods at 3" cts., each face.

ELEVATION OF BEAM
(Showing reinforcement & dimensions)

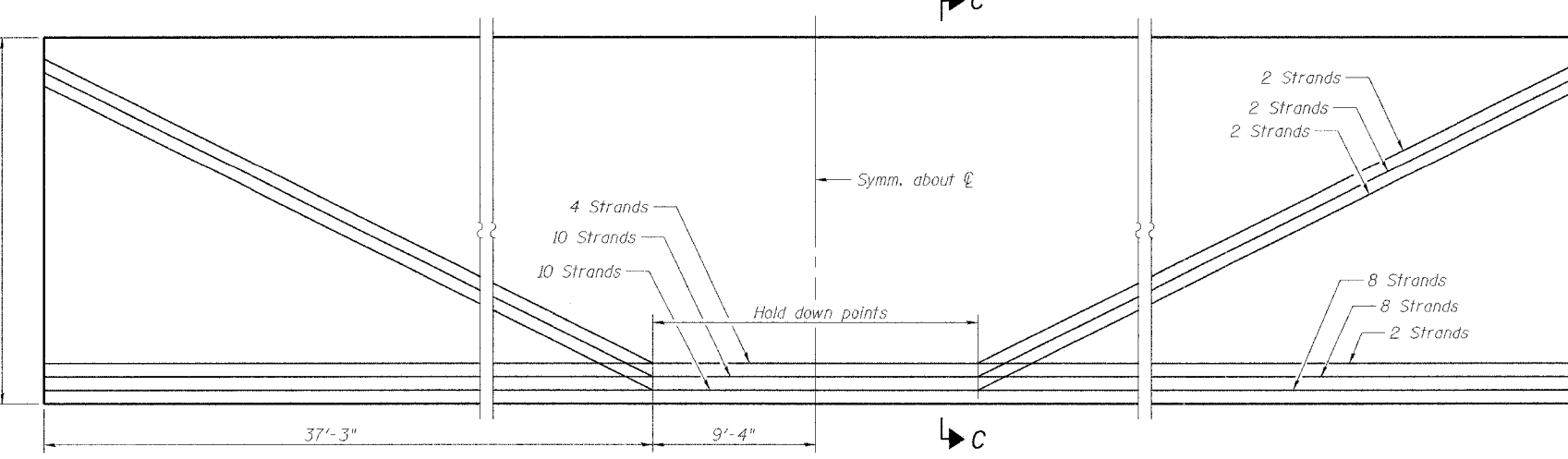
Note A:
Hex nuts (top and bottom) with lock washers (top). Only tighten sufficiently to compress lock washers.



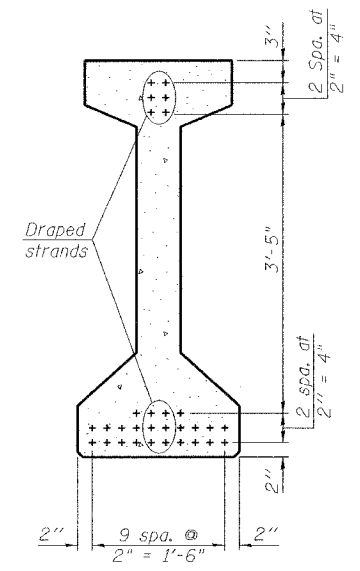
SECTION A-A



SECTION B-B



ELEVATION OF BEAM
(Showing prestressing steel)

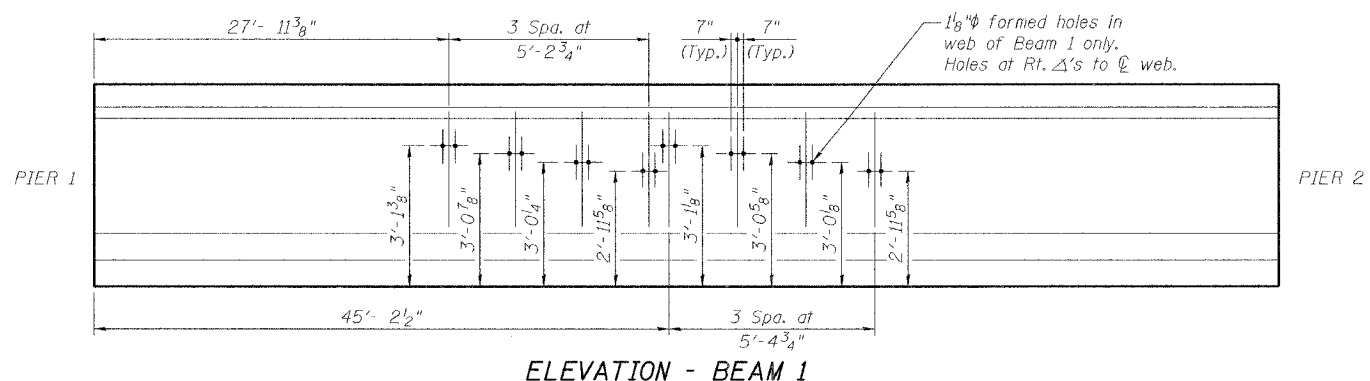


SECTION C-C

BAR LIST
ONE BEAM ONLY

Bar	No.	Size	Length	Shape
G1	93	#4	10'-5"	NL
G2	14	#4	5'-4"	n
G3	12	#7	33'-3"	—
G4	38	#3	4'-11"	—
G5	93	#3	3'-5"	—
G6	4	#8	3'-9"	—

Notes:
See sheet 21 of 33 for additional details and Bill of Material.
Required release strength, f'ci, shall be 5000 psi.



ELEVATION - BEAM 1

THOUVENOT, WADE & MOERCHEN, INC.



DESIGNED	ALN
CHECKED	BWP
DRAWN	KBF
CHECKED	ALN/BWP

54" PPC I-BEAM - SPAN 2
MORGAN AVE. OVER I-57
FAI ROUTE 57 - SECTION (X1-6-2)HBK
WILLIAMSON COUNTY
STATION 34+69.21
STRUCTURE NO. 100-0092