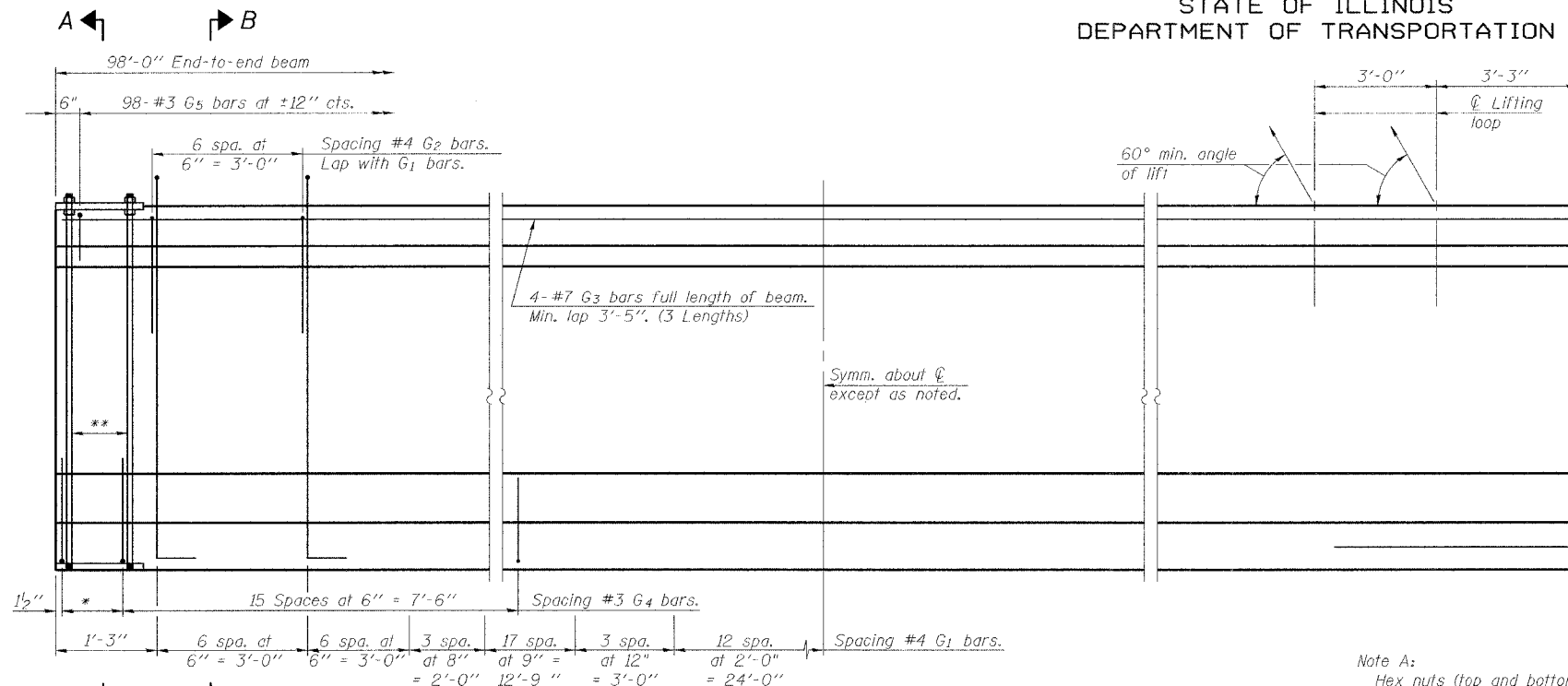


STATE OF ILLINOIS  
DEPARTMENT OF TRANSPORTATION

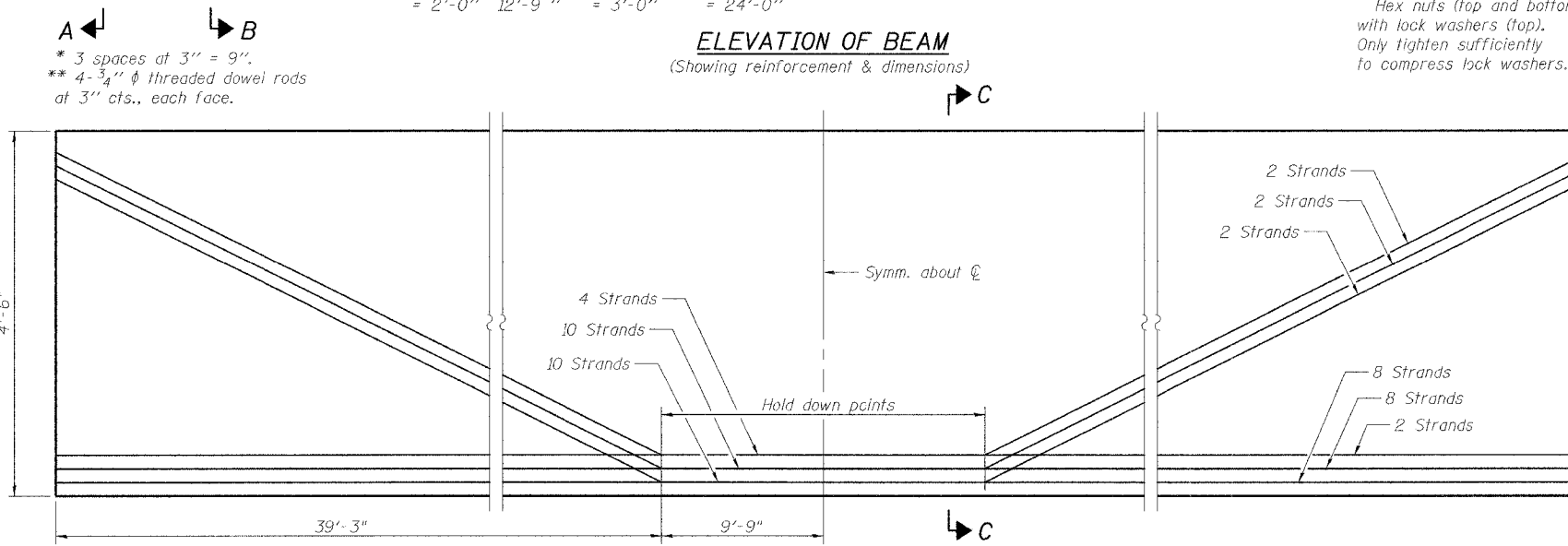
ROUTE NO.	SECTION	COUNTY	STATION	SHEET NO.	SHEET NO.
FAI 57	(X1-6-2)HBK	Williamson	272	154	33 SHEETS
FED. ROAD DIST. NO. 7	ILLINOIS	FED. AID PROJECT			

Contract # 98994



**ELEVATION OF BEAM**  
(Showing reinforcement & dimensions)

Note A:  
Hex nuts (top and bottom) with lock washers (top). Only tighten sufficiently to compress lock washers.

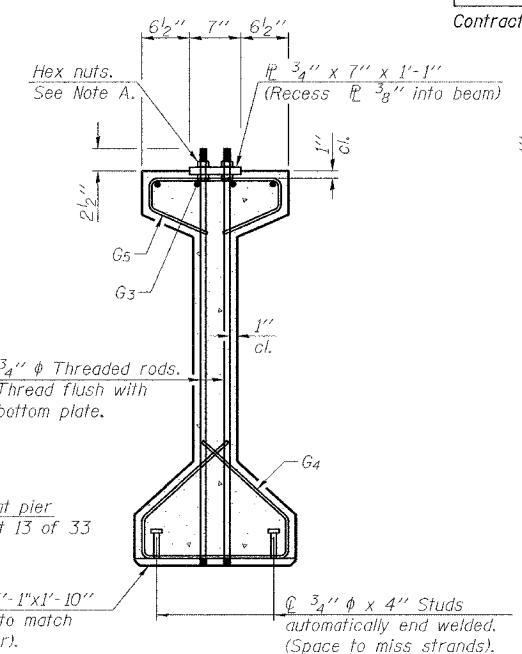


**ELEVATION OF BEAM**  
(Showing prestressing steel)

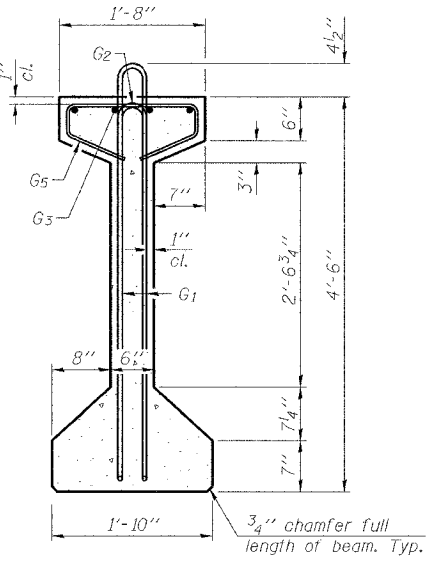
THOUVENOT, WADE & MOERCHEN, INC.



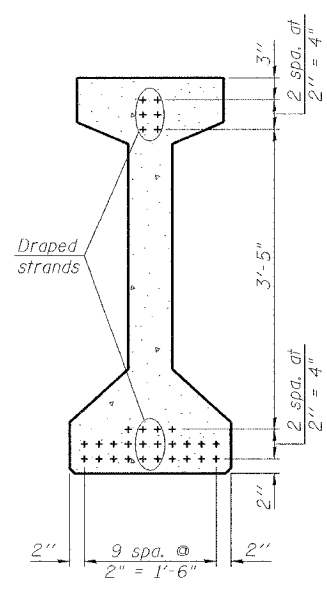
DESIGNED	ALN
CHECKED	BWP
DRAWN	KBF
CHECKED	ALN/BWP



**SECTION A-A**



**SECTION B-B**



**SECTION C-C**

**BAR LIST**  
**ONE BEAM ONLY**

Bar	No.	Size	Length	Shape
G1	97	#4	10'-5"	⊔
G2	14	#4	5'-4"	⊔
G3	12	#7	34'-10"	—
G4	38	#3	4'-11"	⊔
G5	98	#3	3'-5"	⊔
G6	4	#8	3'-9"	⊔

Notes:  
See sheet 21 of 33 for additional details and Bill of Material.  
Required release strength, f'ci, shall be 5000 psi.

54" PPC I-BEAM - SPAN 3  
MORGAN AVE. OVER I-57  
FAI ROUTE 57 - SECTION (X1-6-2)HBK  
WILLIAMSON COUNTY  
STATION 34+69.21  
STRUCTURE NO. 100-0092