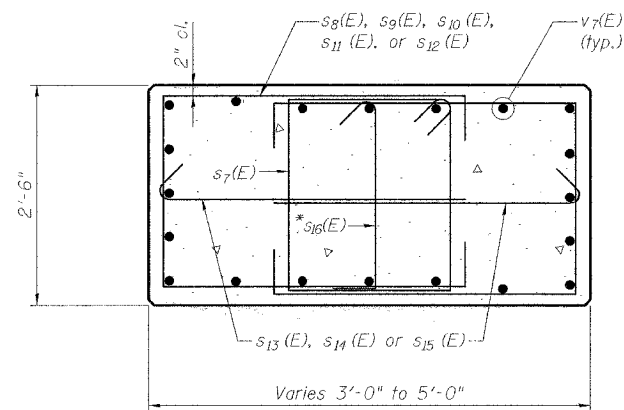
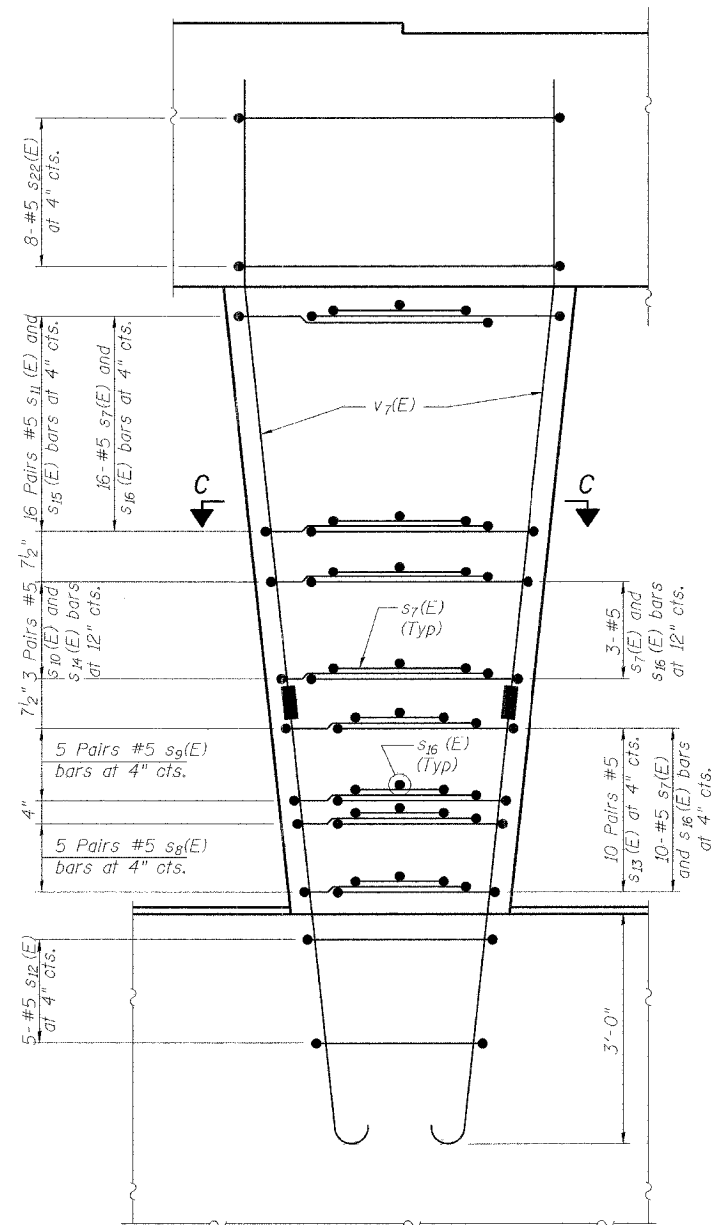


Contract # 98994



SECTION C-C

* Alternate 90° hook of $s_{16}(E)$ bar. Place 90° hook in opposite face every other bar.



COLUMN REINFORCING

MIN. BAR LAPS

- #5 - 2'-2"
- #6 - 2'-7"
- #7 - 3'-5"

BILL OF MATERIAL

Bar	No.	Size	Length	Shape
$h_2(E)$	4	#5	38'-2"	—
$h_3(E)$	5	#6	28'-2"	—
$h_4(E)$	30	#5	28'-2"	—
$n(E)$	60	#9	8'-3"	C
$p_1(E)$	7	#10	38'-2"	—
$p_2(E)$	14	#10	15'-10"	—
$p_3(E)$	6	#6	38'-4"	—
$s_4(E)$	21	#5	13'-1"	□
$s_5(E)$	32	#5	7'-5"	□
$s_6(E)$	12	#5	6'-8"	□
$s_7(E)$	87	#5	8'-11"	□
$s_8(E)$	30	#5	8'-0"	□
$s_9(E)$	30	#5	8'-6"	□
$s_{10}(E)$	18	#5	9'-0"	□
$s_{11}(E)$	96	#5	10'-0"	□
$s_{12}(E)$	15	#5	10'-7"	□
$s_{13}(E)$	60	#5	3'-2"	└
$s_{14}(E)$	18	#5	3'-6"	└
$s_{15}(E)$	96	#5	3'-11"	└
$s_{16}(E)$	87	#5	3'-2"	└
$s_{17}(E)$	32	#5	8'-6"	□
$s_{18}(E)$	38	#6	7'-10"	□
$s_{21}(E)$	38	#7	21'-0"	□
$s_{22}(E)$	24	#5	14'-7"	□
$T(E)$	36	#7	8'-8"	—
$T_1(E)$	30	#5	8'-8"	—
$u_2(E)$	6	#6	9'-8"	—
$v_5(E)$	30	#8	4'-2"	C
$v_7(E)$	60	#9	10'-8"	—
$w(E)$	20	#5	29'-2"	—
Structure Excavation			Cu. Yd.	79.8
Rock Excavation for Structures			Cu. Yd.	4.9
Concrete Structures			Cu. Yd.	75.8
Reinforcement Bars, Epoxy Coated			Pound	16,450
Mechanical Splice			Each	60

Reinforcement Bars designated (E) shall be epoxy coated.

THOUVENOT, WADE & MOERCHEN, INC.



DESIGNED	BWP
CHECKED	ALN
DRAWN	KBF
CHECKED	BWP/ALN

PIER 3 DETAILS
MORGAN AVE. OVER I-57
FAI ROUTE 57 - SECTION (X1-6-2)HBK
WILLIAMSON COUNTY
STATION 34+69.21
STRUCTURE NO. 100-0092