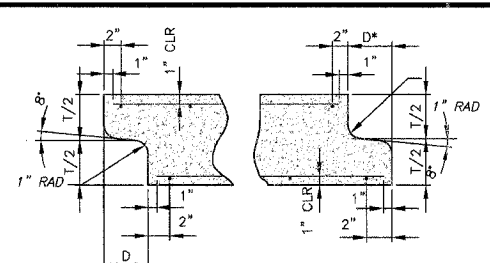
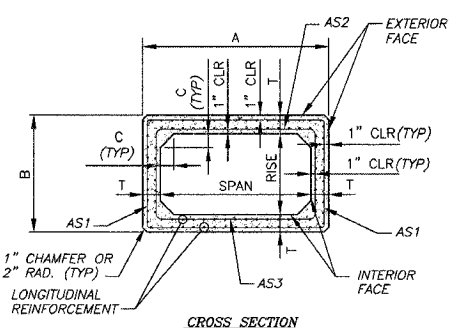


DIMENSIONS **

SPAN X RISE (FT. X FT.)	T (INCHES)	A (FT.-IN.)	B (FT.-IN.)	C (FT.-IN.)
10 X 5	10	11-8	6-8	10
10 X 6	10	11-8	7-8	10
10 X 7	10	11-8	8-8	10
10 X 8	10	11-8	9-8	10
10 X 9	10	11-8	10-8	10
10 X 10	10	11-8	11-8	10
11 X 4	11	12-10	5-10	11
11 X 6	11	12-10	7-10	11
11 X 8	11	12-10	9-10	11
11 X 10	11	12-10	11-10	11
11 X 11	11	12-10	12-10	11
12 X 4	12	14-0	6-0	12
12 X 6	12	14-0	8-0	12
12 X 8	12	14-0	10-0	12
12 X 9	12	14-0	11-0	12
12 X 10	12	14-0	12-0	12

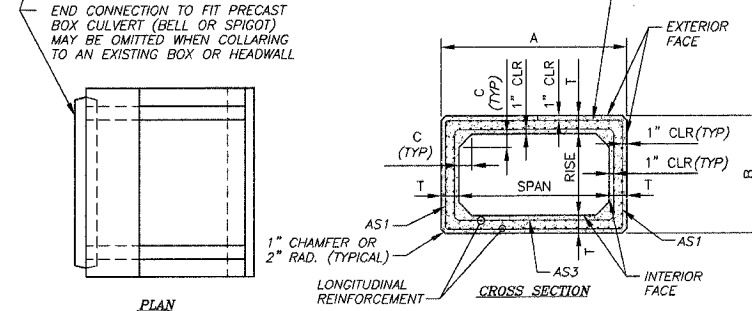
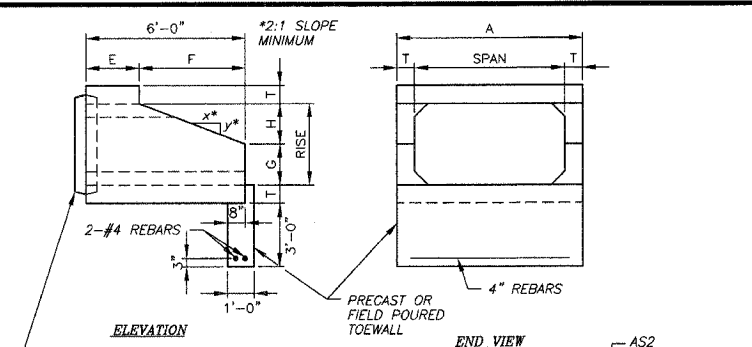


NOTE: INLET AND OUTLET ENDS SHALL BE COMPATIBLE. *THE D DIMENSION SHALL CONFORM TO THE MANUFACTURER'S STANDARDS.



DETAIL OF PRECAST CONCRETE BOX CULVERT SECTION

(WITH COVER 2 FEET OR GREATER- AASHTO DESIGNATION M259) DESIGN LOADING: HS-20-44



NOTES

SHOP PLANS FOR THE REINFORCEMENT SHALL BE SUBMITTED IN ACCORDANCE WITH THE REQUIREMENTS OF ARTICLE 504.04(a) OF THE STANDARD SPECIFICATIONS.

MINIMUM CONCRETE STRENGTH SHALL BE 5,000 PSI AFTER 28 DAYS.

THE JOINTS OF THE PRECAST BOX SECTIONS SHALL BE SEALED WITH MASTIC IN ACCORDANCE WITH ARTICLE 1055.01 OF THE STANDARD SPECIFICATIONS FOR ROAD AND BRIDGE CONSTRUCTION IN ILLINOIS, LATEST EDITION.

THE TERMS AS1, AS2, AND AS3 DENOTE THE REQUIRED STEEL AREAS FOR THE REINFORCEMENT AS SPECIFIED IN AASHTO M259. REINFORCEMENT SHALL BE WELDED WIRE FABRIC CONFORMING TO AASHTO M55-81.

DETAIL OF PRECAST CONCRETE BOX CULVERT END SECTION

** NOTE: THE DIMENSIONS INDICATED ARE FOR END SECTIONS THAT ARE TO BE USED WITH PRECAST BOX CULVERT SECTIONS DESIGNED FOR 2' OR MORE OF FILL. THE DIMENSIONS MUST BE MODIFIED FOR THE END SECTION TO BE COMPATIBLE WITH PRECAST CULVERT SECTIONS DESIGNED FOR LESS THAN 2' OF FILL.

NOTES

SHOP PLANS FOR THE REINFORCEMENT SHALL BE SUBMITTED IN ACCORDANCE WITH THE REQUIREMENTS OF ARTICLE 504.04(a) OF THE STANDARD SPECIFICATIONS.

MINIMUM CONCRETE STRENGTH SHALL BE 5,000 PSI AFTER 28 DAYS.

THE JOINTS OF THE PRECAST BOX SECTIONS SHALL BE SEALED WITH MASTIC IN ACCORDANCE WITH ARTICLE 1055.01 OF THE STANDARD SPECIFICATIONS FOR ROAD AND BRIDGE CONSTRUCTION IN ILLINOIS, LATEST EDITION.

THE TERMS AS1, AS2, AND AS3 DENOTE THE REQUIRED STEEL AREAS FOR THE REINFORCEMENT AS SPECIFIED IN AASHTO M259. REINFORCEMENT SHALL BE WELDED WIRE FABRIC CONFORMING TO AASHTO M55-81.

LIFTING HOLES SHALL BE FILLED WITH CONCRETE PLUGS AND MASTIC AFTER THE BOX SECTIONS ARE IN PLACE.

DRAINAGE OPENINGS SHALL BE PROVIDED IN ACCORDANCE WITH ARTICLE 503.12 OF THE STANDARD SPECIFICATIONS. LOCATION AND SPACING OF THE OPENINGS SHALL BE SHOWN ON THE SHOP DRAWINGS.

CONTRACT NO. 99199

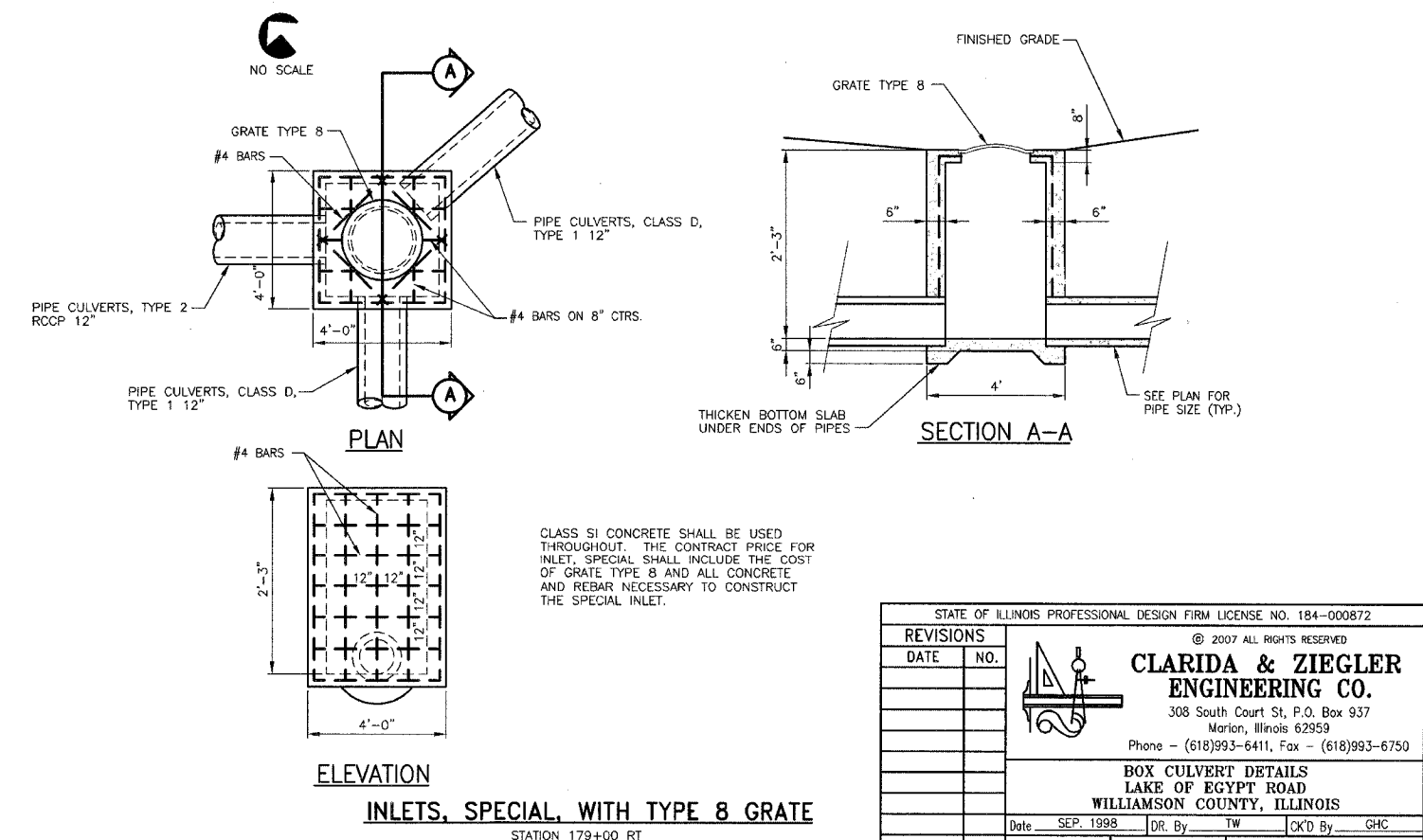
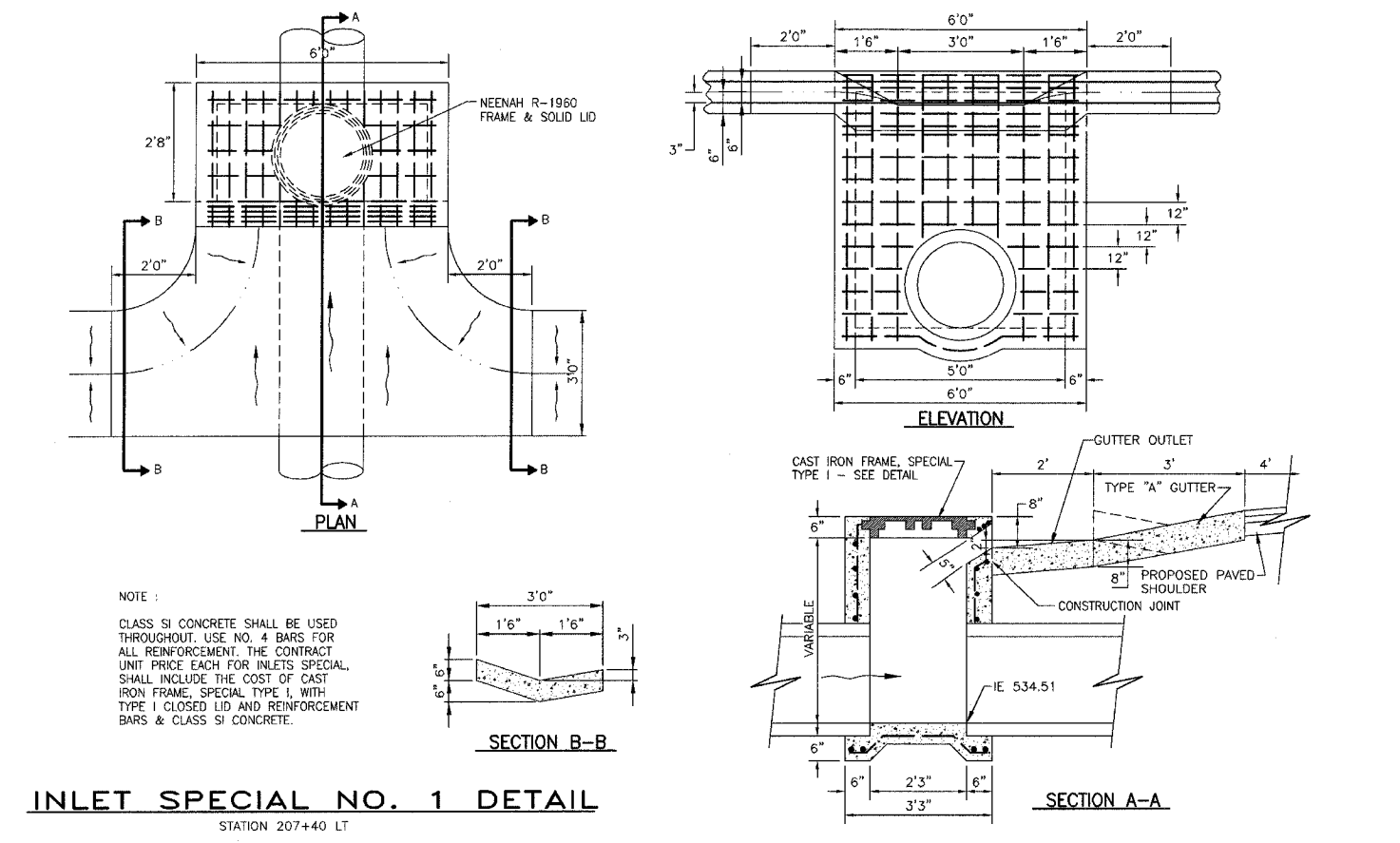
ROUTE NO. SECTION COUNTY TOTAL SHEET NO. SHEETS

F.A.S. 2904 97-00089-00-RS WILLIAMSON 86 45

ILLINOIS LAKE EGYPT ROAD

DIMENSIONS **

SPAN X RISE (FT. X FT.)	T (INCHES)	A (FT.-IN.)	B (FT.-IN.)	C (FT.-IN.)	E (FT.-IN.)	F (FT.-IN.)	G (FT.-IN.)	H (FT.-IN.)	SLOPE (X:Y)
2 X 2	4	2-8	2-8	4	3-0	3-0	1-0	1-0	3:1
3 X 2	4	3-8	2-8	4	3-0	3-0	1-0	1-0	3:1
3 X 3	4	3-8	3-8	4	2-0	4-0	1-8	1-4	3:1
4 X 2	5	4-10	2-10	5	3-0	3-0	1-0	1-0	3:1
4 X 3	5	4-10	3-10	5	2-0	4-0	1-8	1-4	3:1
4 X 4	5	4-10	4-10	5	2-0	4-0	2-0	2-0	2:1
5 X 2	6	6-0	3-0	6	3-0	3-0	1-0	1-0	3:1
5 X 3	6	6-0	4-0	6	2-0	4-0	1-8	1-4	3:1
5 X 4	6	6-0	5-0	6	2-0	4-0	2-0	2-0	2:1
5 X 5	6	6-0	6-0	6					
6 X 2	7	7-2	3-2	7	3-0	3-0	1-0	1-0	3:1
6 X 3	7	7-2	4-2	7	2-0	4-0	1-8	1-4	3:1
6 X 4	7	7-2	5-2	7	2-0	4-0	2-0	2-0	2:1
6 X 5	7	7-2	6-2	7	2-0	4-0	3-0	2-0	2:1
6 X 6	7	7-2	7-2	7	2-0	4-0	4-0	2-0	2:1
7 X 4	8	8-4	5-4	8	2-0	4-0	2-0	2-0	2:1
7 X 5	8	8-4	6-4	8					
7 X 6	8	8-4	7-4	8					
7 X 7	8	8-4	8-4	8					
8 X 3	8	9-4	4-4	8	2-0	4-0	1-8	1-4	3:1
8 X 4	8	9-4	5-4	8	2-0	4-0	2-0	2-0	2:1
8 X 5	8	9-4	6-4	8					
8 X 6	8	9-4	7-4	8					
8 X 7	8	9-4	8-4	8					
8 X 8	8	9-4	9-4	8					
9 X 5	9	10-6	6-6	9					
9 X 6	9	10-6	7-6	9					
9 X 7	9	10-6	8-6	9					
9 X 8	9	10-6	9-6	9					
9 X 9	9	10-6	10-6	9					
10 X 5	10	11-8	6-8	10					
10 X 6	10	11-8	7-8	10					
10 X 7	10	11-8	8-8	10					
10 X 8	10	11-8	9-8	10					
10 X 9	10	11-8	10-8	10					
10 X 10	10	11-8	11-8	10					
11 X 4	11	12-10	5-10	11					
11 X 6	11	12-10	7-10	11					
11 X 8	11	12-10	9-10	11					
11 X 10	11	12-10	11-10	11					
11 X 11	11	12-10	12-10	11					
12 X 4	12	14-0	6-0	12					
12 X 6	12	14-0	8-0	12					
12 X 8	12	14-0	10-0	12					
12 X 9	12	14-0	11-0	12					
12 X 10	12	14-0	12-0	12					



STATE OF ILLINOIS PROFESSIONAL DESIGN FIRM LICENSE NO. 184-000872

© 2007 ALL RIGHTS RESERVED

CLARIDA & ZIEGLER ENGINEERING CO.

308 South Court St, P.O. Box 937
Marion, Illinois 62959

Phone - (618)993-6411, Fax - (618)993-6750

BOX CULVERT DETAILS
LAKE OF EGYPT ROAD
WILLIAMSON COUNTY, ILLINOIS

REVISIONS	DATE	NO.

Date SEP. 1998 DR. By TW CK'D By GHC

Scale NONE Job No. 00044 Sheet No. 45 of 86