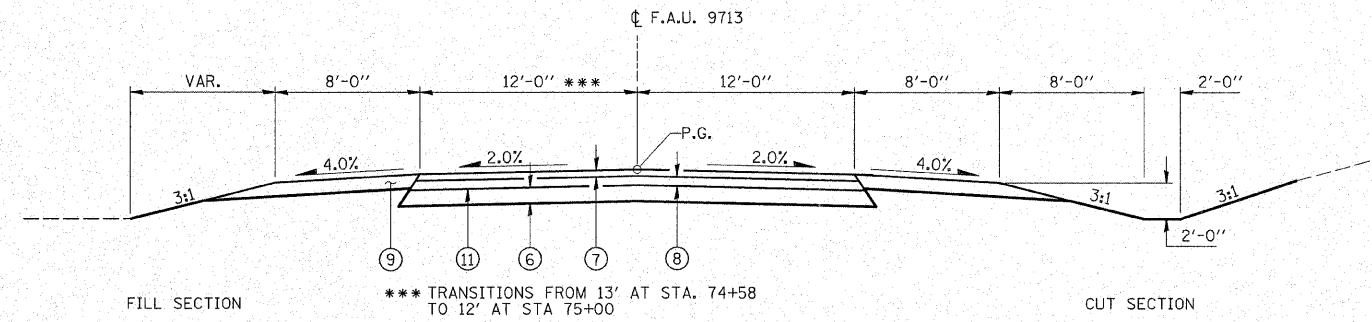
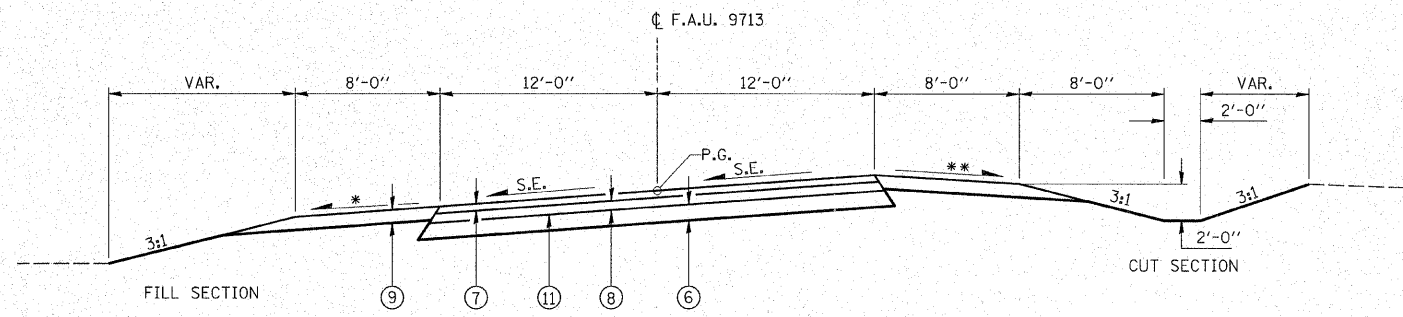


ROUTE	SECTION	COUNTY	TOTAL SHEETS	SHEET NO.
FAU 9713	99-02118-00-FP	JACKSON	122	13
FED. ROAD DIST. NO.		ILLINOIS	FED. AID PROJECT-	
CONTRACT NO. 99219				



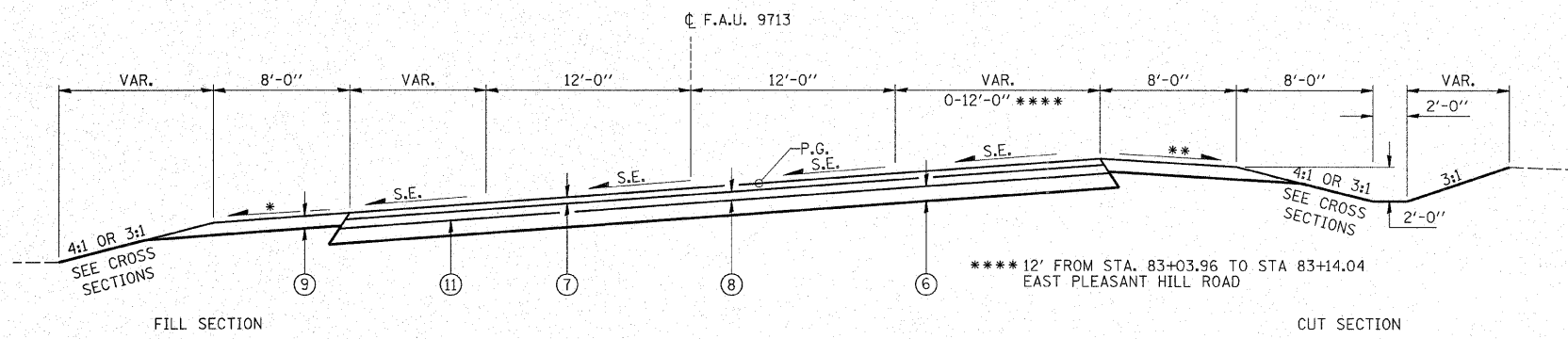
PROPOSED TYPICAL CROSS SECTION

STA. 74+58.00 TO STA. 79+75.57 (EAST PLEASANT HILL ROAD)



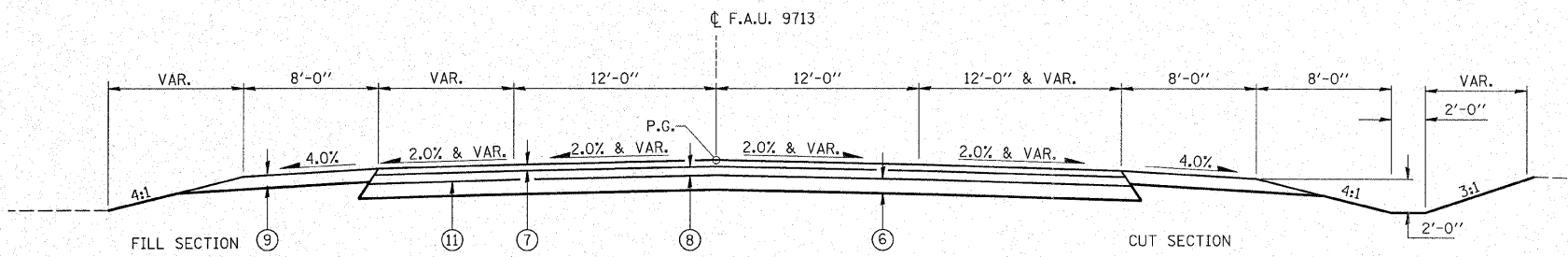
PROPOSED TYPICAL CROSS SECTION

(SUPERELEVATION)
STA. 79+75.57 TO STA. 81+53.96 (EAST PLEASANT HILL ROAD)
(BRIDGE OMISSION STA. 80+69.29 TO STA. 81+20.71)



PROPOSED TYPICAL CROSS SECTION

(SUPERELEVATION)
STA. 81+53.96 TO STA. 83+14.04 (EAST PLEASANT HILL ROAD)



PROPOSED TYPICAL CROSS SECTION

STA. 83+14.04 TO STA. 84+39.13 (EAST PLEASANT HILL ROAD)

LEGEND

- ① EXISTING AGGREGATE BASE
 - ② EXISTING BITUMINOUS PAVEMENT
 - ③ EXISTING BITUMINOUS AGGREGATE MIXTURE SHOULDER
 - ④ COMBINATION CONCRETE CURB AND GUTTER, TYPE B-6.24
 - ⑤ HOT-MIX ASPHALT BINDER COURSE, IL-19.0, N70 (2 1/4" THICKNESS)
 - ⑥ AGGREGATE BASE COURSE, TYPE A (8" THICKNESS)
 - ⑦ HOT-MIX ASPHALT SURFACE COURSE, MIX "D", N70 (2" THICKNESS)
 - ⑧ HOT-MIX ASPHALT BINDER COURSE, IL-19.0, N70 (3 3/4" THICKNESS)
 - ⑨ AGGREGATE SHOULDERS, TYPE A (6" THICKNESS)
 - ⑩ BITUMINOUS MATERIALS (PRIME COAT)
 - ⑪ AGGREGATE BASE COURSE, TYPE A (4" THICKNESS)
 - ⑫ AGGREGATE (PRIME COAT)
 - ⑬ HOT-MIX ASPHALT BASE COURSE, (8" THICKNESS)
 - ⑭ HOT-MIX ASPHALT SHOULDER 6"
 - ⑮ STRIP REFLECTIVE CRACK CONTROL
 - ⑯ LEVELING BINDER (MACHINE METHOD) N70 (VARIABLE DEPTH) (1 1/4" MIN)
 - ▨ BITUMINOUS CONCRETE SHOULDER REMOVAL (INCIDENTAL TO EARTH EXCAVATION)
- * S.E. SLOPE OR 4.0% WHICHEVER IS GREATER
- ** ALGEBRAIC DIFFERENCE BETWEEN SHOULDER SLOPE AND SUPERELEVATION RATE NOT TO EXCEED 8.0% WITH A MAXIMUM SLOPE OF 4.0%

Rice, Berry and Associates
A Division of Hampton, Lenzini and Renwick, Inc.
HLR Civil & Structural Engineers
801 S. Durkin Drive
Springfield, Illinois 62704
217-546-3400

Account Number 03-47-0001-1
Date: 10-09-06
DESIGNED: L.F.S. | CHECKED: S.W.M. | DRAWN: W.J.S.

TYPICAL CROSS SECTIONS
SECTION 99-02118-00-FP
F.A.U. 9713 / EAST PLEASANT HILL ROAD
JACKSON COUNTY