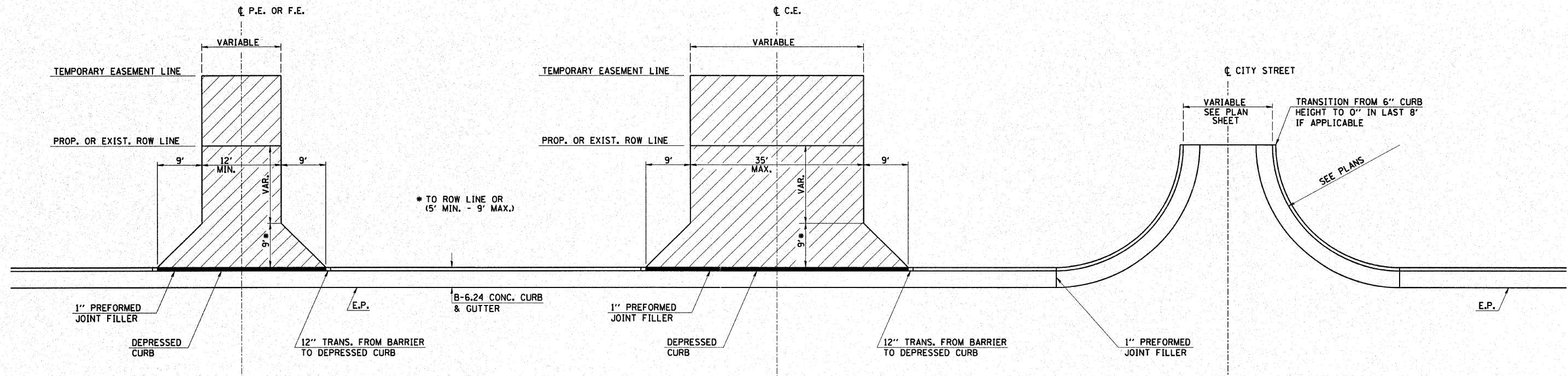


ROUTE	SECTION	COUNTY	TOTAL SHEETS	SHEET NO.
FAU 9713	99-02118-00-FP	JACKSON	122	37
FED. ROAD DIST. NO.		ILLINOIS	FED. AID PROJECT-	
CONTRACT NO. 99219				

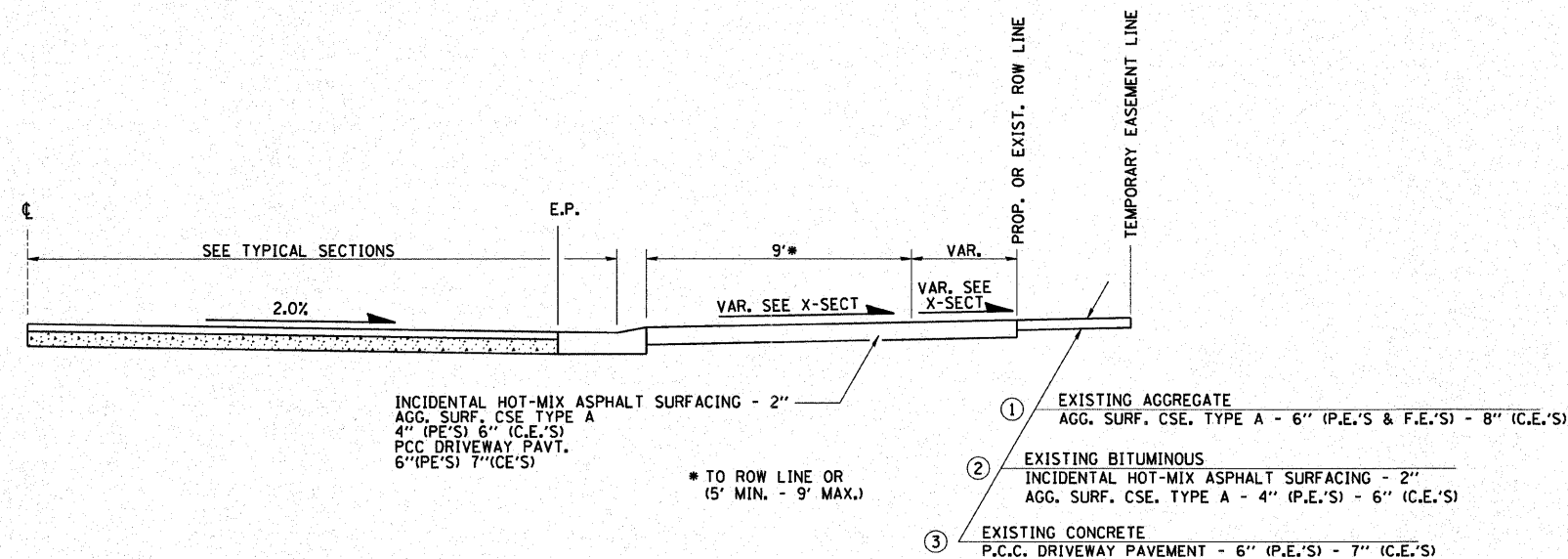
URBAN ENTRANCE DETAILS



DETAILS P.E.'S & F.E.'S

DETAILS COMMERCIAL ENTRANCE

DETAILS CITY STREETS



PROFILE P.E.'S, F.E.'S, & C.E.'S

HLR
 Rice, Berry and Associates
 A Division of Hampton,
 Lenzini and Renwick, Inc.
 Civil & Structural Engineers
 801 S. Durkin Drive
 Springfield, Illinois 62704
 217-546-3400
 Account Number
 03-47-0001-1
 Date: 10-09-06
 DESIGNED: L.F.S. | CHECKED: S.W.M. | DRAWN: W.J.S.

URBAN ENTRANCE DETAILS
 SECTION 99-02118-00-FP
 F.A.U. 9713 / EAST PLEASANT HILL ROAD
 JACKSON COUNTY