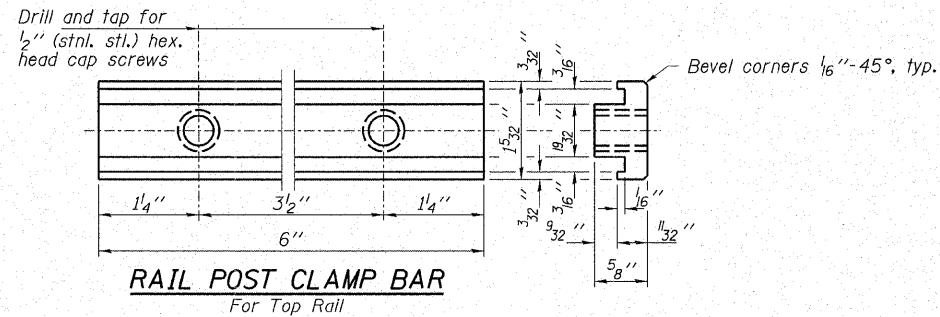
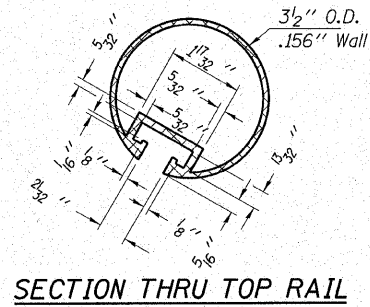
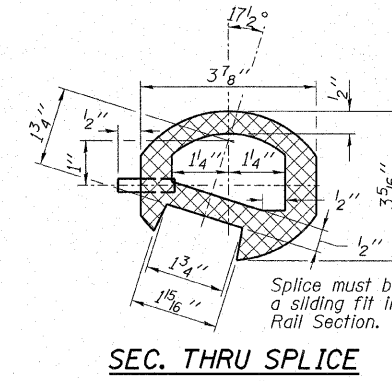
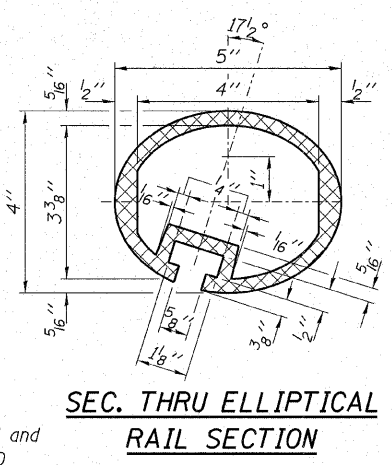
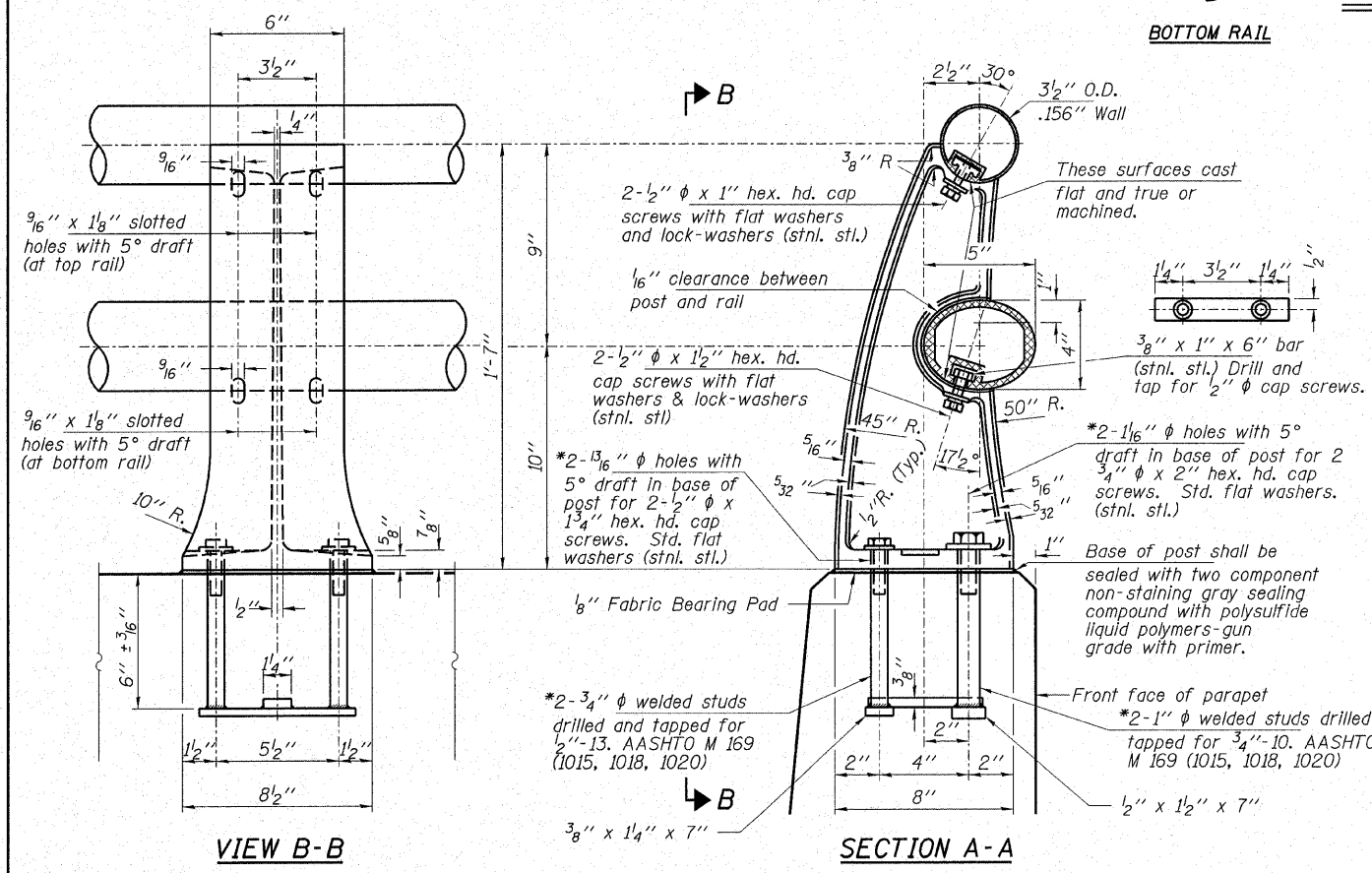
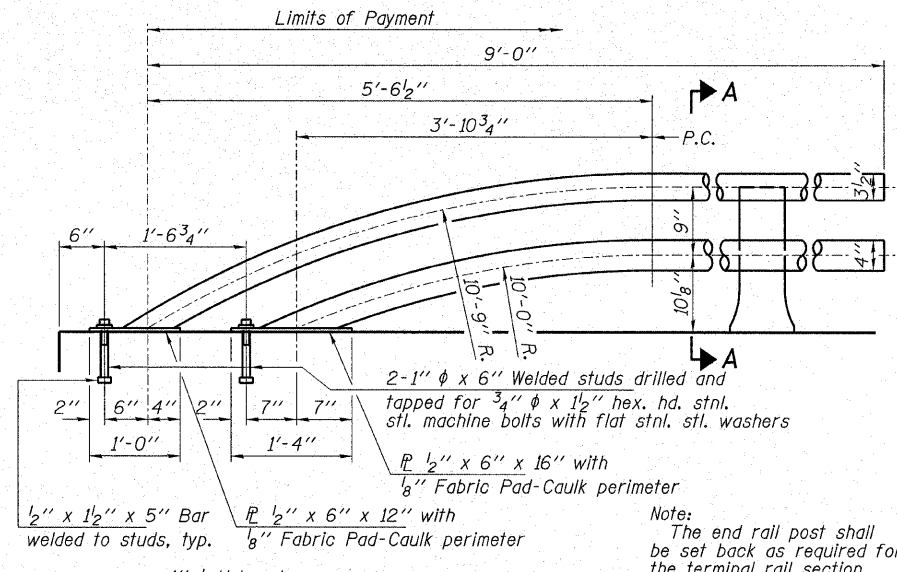
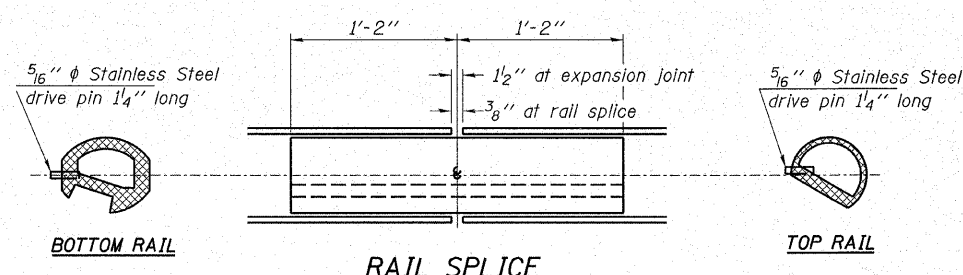
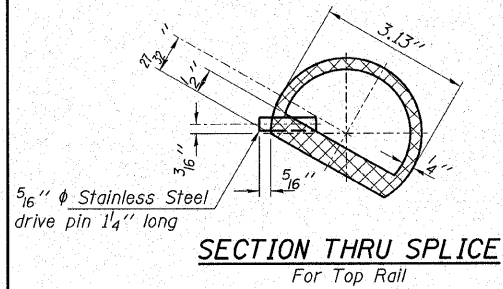


ROUTE NO.	SECTION	COUNTY	TOTAL SHEETS	SHEET NO.
M.S. 2700	05-00186-00-BR 06-00001-00-BR	JEFFERSON	31	26
FED. ROAD DIST. NO.	ILLINOIS	CONTRACT NO. 99297		



**Notes:**  
 All Posts shall be normal to parapet.  
 All Aluminum Alloy Extruded Rail shall be supplied in modular lengths of 30 feet, except at the end of bridge or over open joints in bridge deck where the rail shall be attached to a minimum of 2 posts. If the rail is on a horizontal curve of 2300 foot radius or less, the modular lengths may be reduced but shall be attached to a minimum of 2 posts.  
 All joints in rail shall be spliced per detail.  
 Provide 1-<sup>5</sup>/<sub>8</sub>" and 2-<sup>1</sup>/<sub>16</sub>" Aluminum Shims for 25% of the Posts.  
 Rail elements shall be parallel to Grade-high spots will be ground and low spots shimmed.  
 Railing shall be according to Section 509 of the Standard Specifications, except as noted, and will be paid for at the contract unit price per foot for ALUMINUM RAILING, TYPE L.  
 Aluminum alloy rail shall conform to ASTM B 221 alloy 6061-T6 or 6351-T5 with min. yield 35 ksi, min. tensile 38 ksi, and elongation of 10% in 2 inches.



**BILL OF MATERIAL**

Item	Unit	Quantity
Aluminum Railing, Type L	Foot	160

\*In lieu of the cast-in-place anchor device shown, the Contractor has the option of drilling and epoxy grouting stainless steel anchor rods of the same diameter and grade as the specified cap screws. Embedment shall be according to the manufacturer's specifications.

**HAMPTON, LENZINI & RENWICK, INC.**  
 CIVIL & STRUCTURAL ENGINEERS  
 LAND SURVEYORS

3085 STEVENSON DRIVE, SUITE 201  
 SPRINGFIELD, ILLINOIS 62703  
 (217) 546-3400

ELGIN • SPRINGFIELD

PROJECT NUMBER: 12-49-0005-1 DATE: 03/21/07  
 DESIGNED: R.J.P. CHECKED: S.W.M. DRAWN: D.B.

**RAILING DETAILS**  
 SECTIONS 05-00186-00-BR / 06-00001-00-BR  
 VILLAGE OF BLUFORD  
 JEFFERSON COUNTY  
 STRUCTURE NO. 041-9931 / STATION 10+00