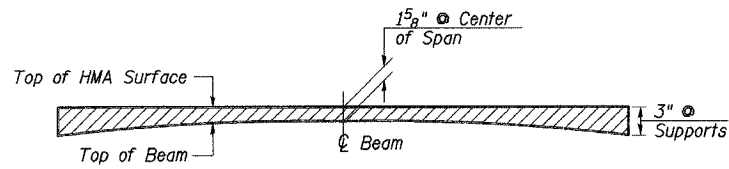
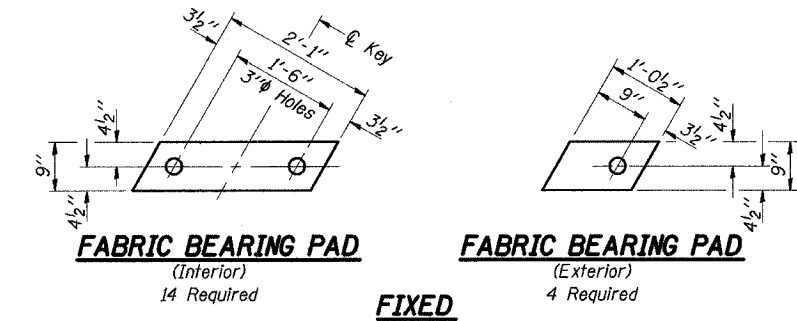


STATE OF ILLINOIS
DEPARTMENT OF TRANSPORTATION

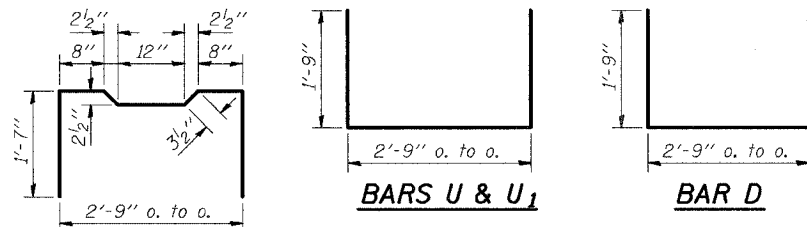
T.R. RTE.	SECTION	COUNTY	TOTAL SHEETS	SHEET NO.
167	04-01225-00-BR	WILLIAMSON	16	7
STA	12+00	STA	18+50	
ROAD DIST.	ILLINOIS			
CONTRACT No. 99299			Sheet 4 of 9	



PROFILE OF OVERLAY



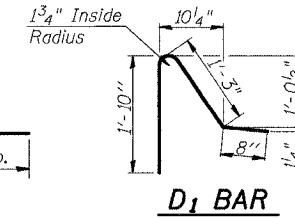
FIXED



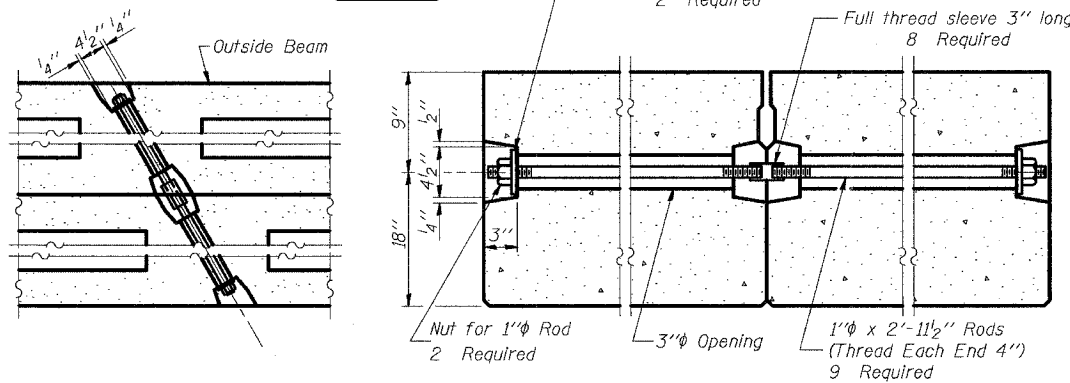
BAR A1

BARS U & U1

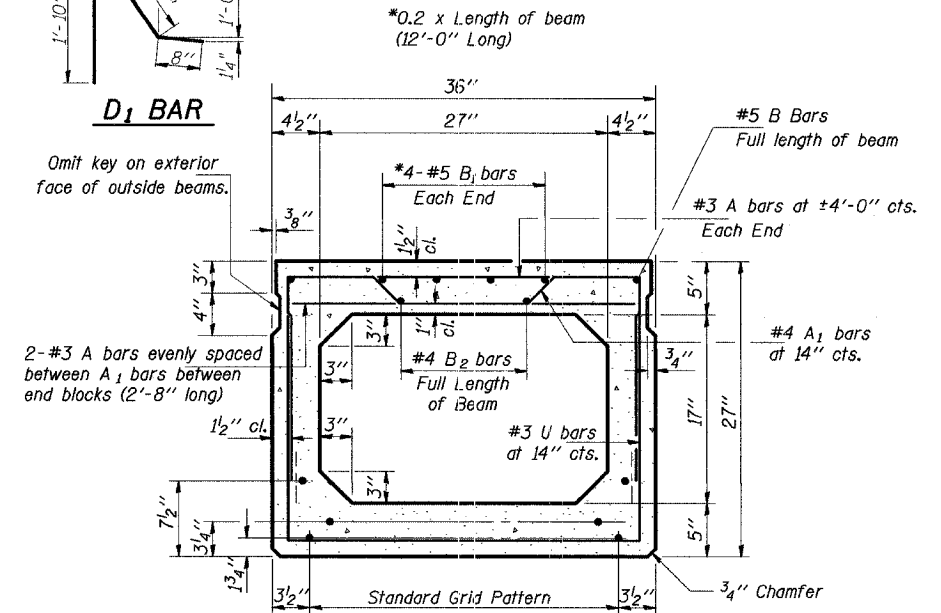
BAR D



D1 BAR

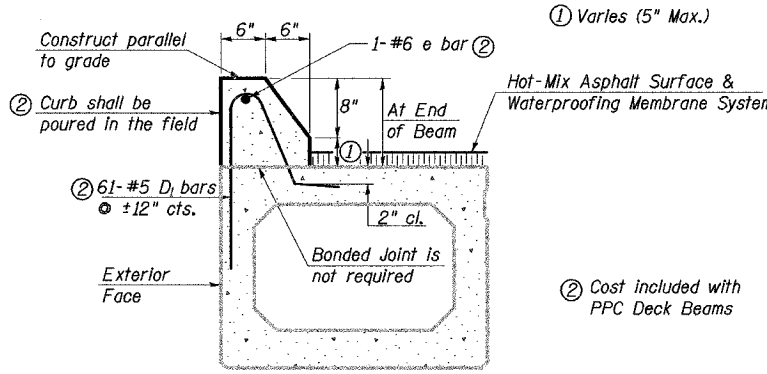


TYPICAL TRANSVERSE TIE ASSEMBLY



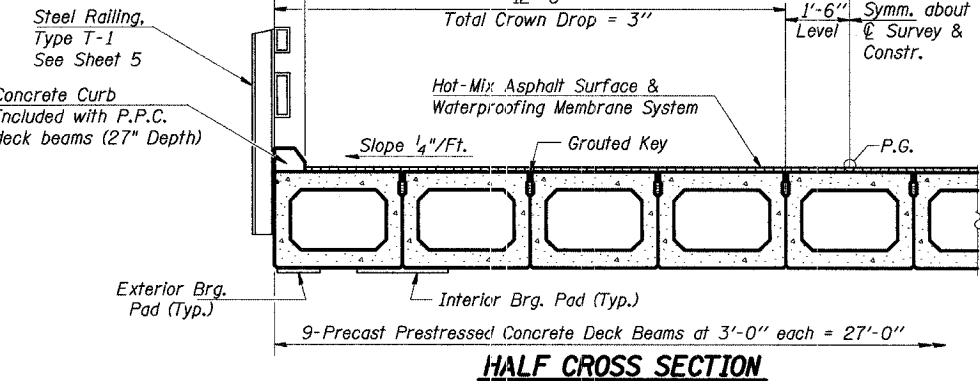
TYPICAL SECTION

*0.2 x Length of beam (12'-0" Long)
Note: Place strands symmetrically about center of beam.

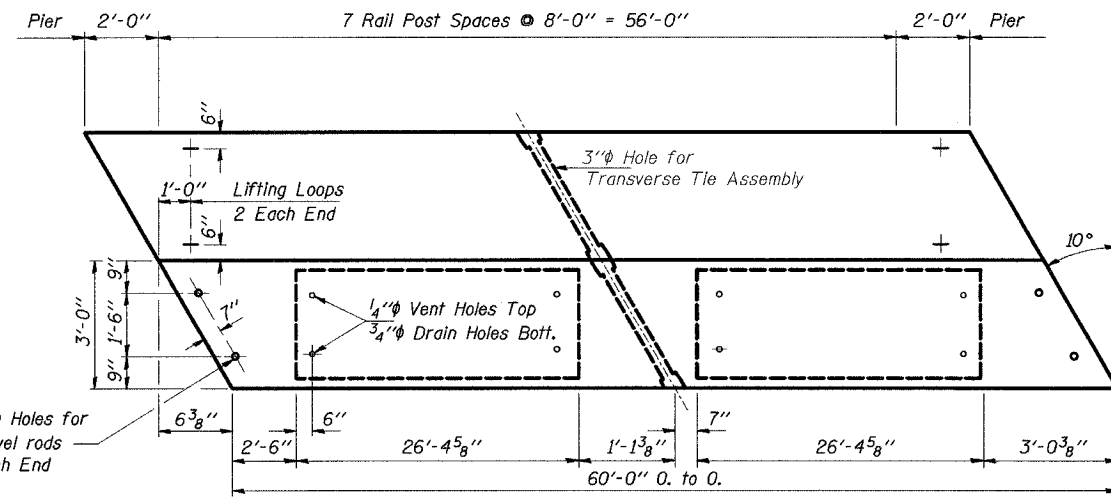


SECTION THRU EXTERIOR BEAMS

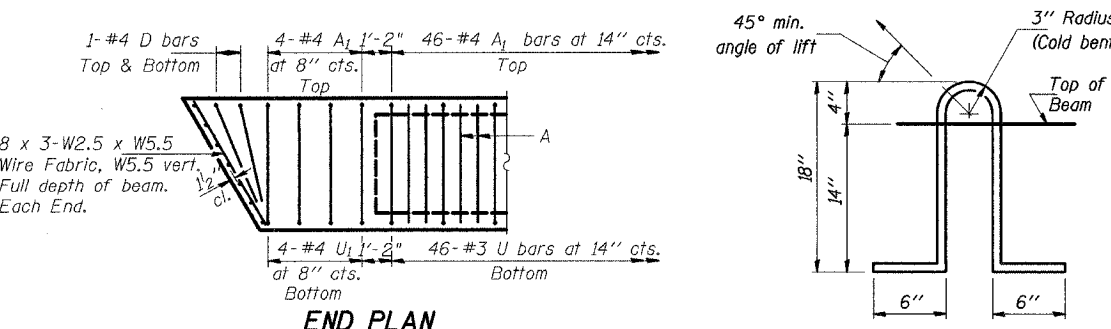
See Typical Section for strand pattern, dimensions and bar call outs.



HALF CROSS SECTION



PLAN



END PLAN

LIFTING LOOP DETAIL

NOTES

1 Varies (5" Max.)
2 Curb shall be poured in the field
3 Cost included with PPC Deck Beams
Prestressing steel shall be uncoated high strength, low relaxation 7-wire strand, Grade 270. The nominal diameter shall be 1/2 inch and the nominal cross-sectional area shall be 0.153 sq. in. Lifting loops shall be 2-1/2 inch diameter 270 ksi strands, as shown. The 1 inch rods in the transverse tie assembly shall be tightened to a snug fit and the threads set. Pockets that receive transverse tie bar on outside shall be filled with grout after transverse tie assembly is in place. Non prestressing steel shall conform to ASTM A 706 (IL MOD), Grade 60. The bearing seat surfaces shall be adjusted by shimming to assure firm and even bearing. Two 1/8 inch fabric adjusting shims of the dimensions of the Exterior Bearing Pad shall be provided for each bearing. Keyway surfaces shall be cleaned to remove form oil or other bond breaking material prior to shipment of the beams. Cleaning shall be done sandblasting the keyway areas between top of the beam and the bottom edge of the key. Corrosion inhibitor, per Article 1020.05(b)(12) of the Standard Specifications, shall be used in the concrete for precast prestressed concrete beams. Required Release Strength, f'ci, shall be 4,000 p.s.i.

BILL OF MATERIAL

Item	Unit	Quantity
Precast Prestressed Concrete Deck Beams (27" Depth)	Sq. Ft.	1,620
Hot-Mix Asphalt Surface Course, Mix "C", N50	Tons	22
Waterproofing Membrane System	Sq. Yds.	167

Estimated Total Weight (One Beam) = 37,420 Pounds

SUPERSTRUCTURE
SPAN 2
TR 167 OVER
ICG RAILROAD
WILLIAMSON COUNTY
SECTION 04-01225-00-BR