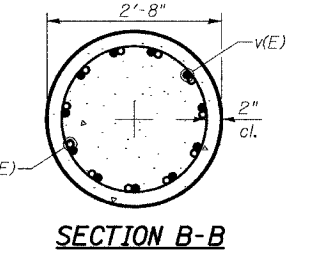
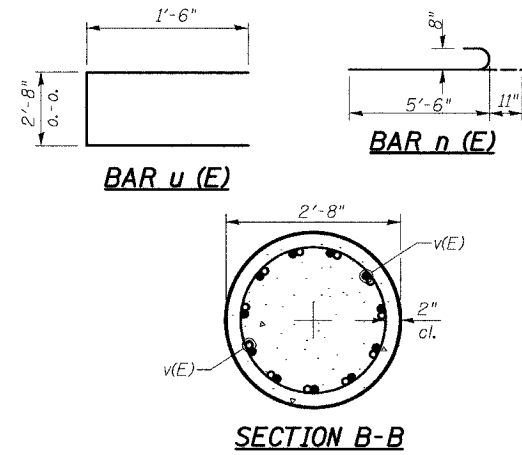
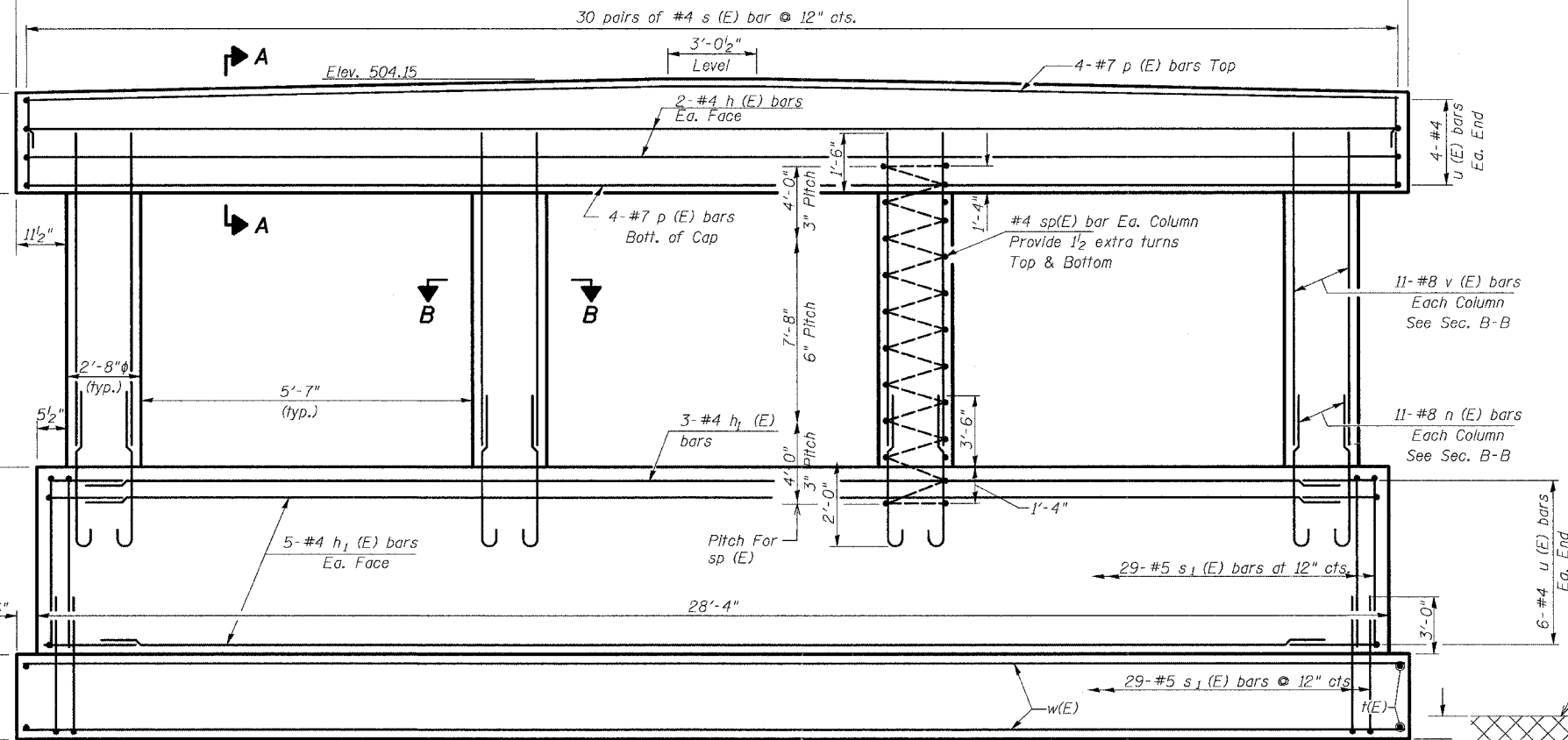
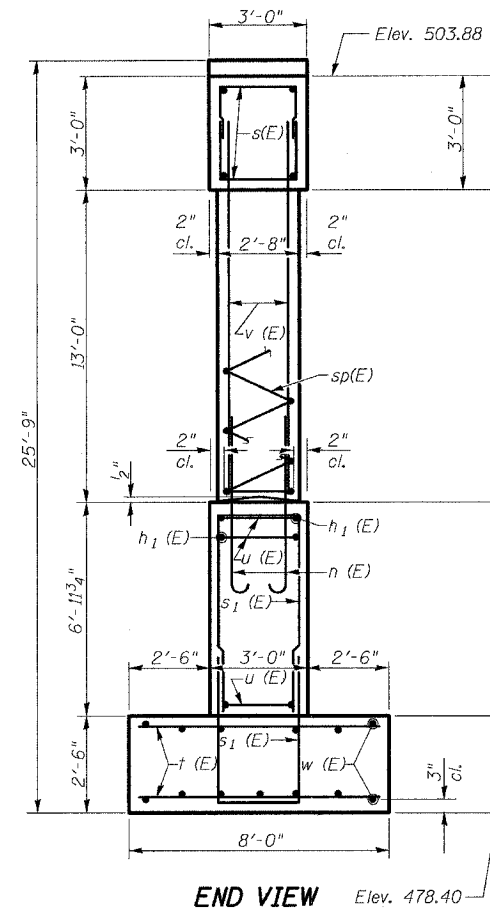
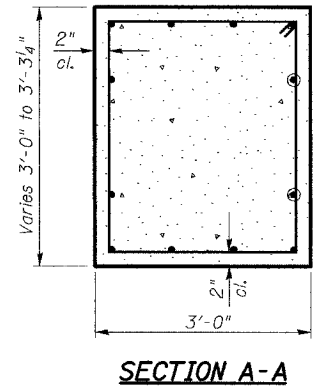
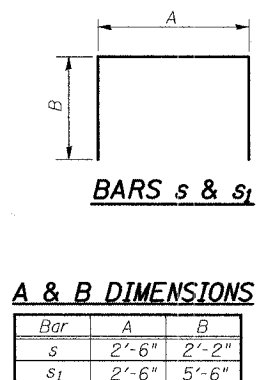
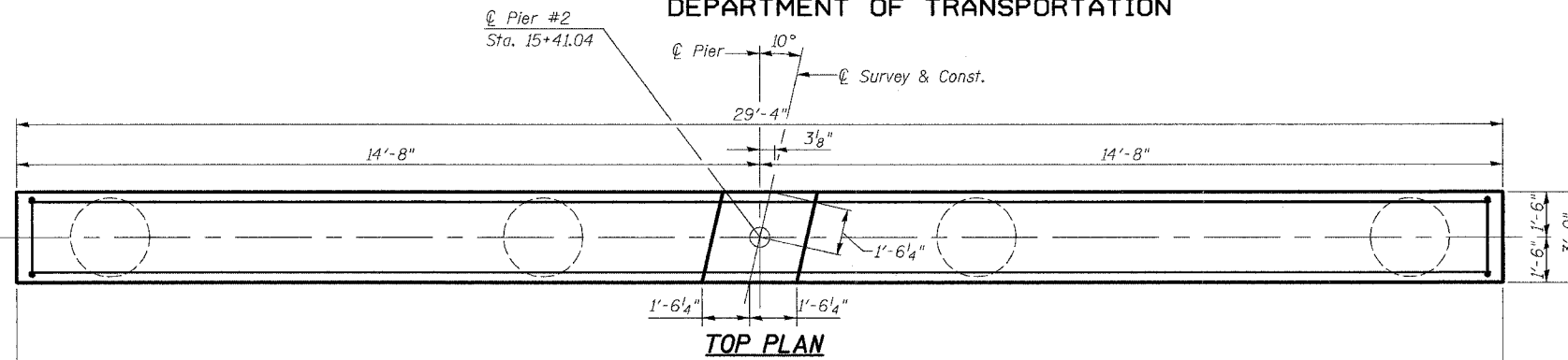


T.R. RTE.	SECTION	COUNTY	TOTAL SHEETS	SHEET NO.
167	04-01225-00-BR	WILLIAMSON	16	11
STA 12+00	STA 18+50	ROAD DIST. ILLINOIS		
CONTRACT No. 99299				

STATE OF ILLINOIS  
DEPARTMENT OF TRANSPORTATION

MIN. BAR LAP

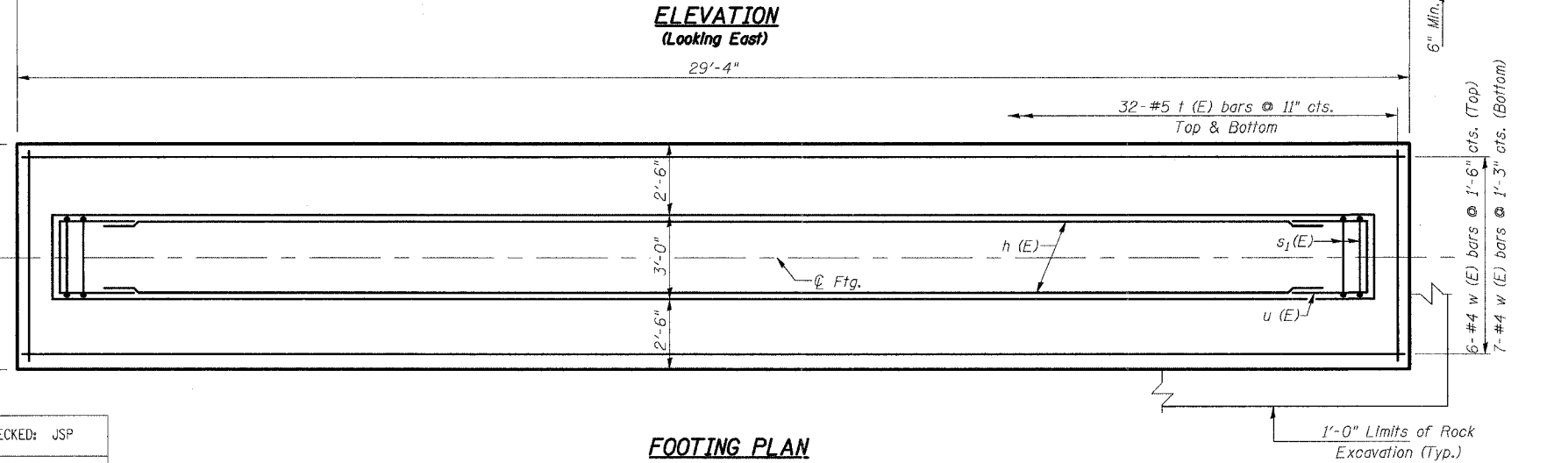
- #4 - 1'-4"
- #5 - 1'-8"
- #8 - 3'-5"



BILL OF MATERIAL

Bar	No.	Size	Length	Shape
h (E)	4	#4	29'-0"	—
h1 (E)	13	#4	28'-0"	—
sp (E)	4	#4	15'-8"	⋈
n (E)	44	#8	6'-5"	—
p (E)	8	#7	29'-0"	—
s (E)	60	#4	6'-10"	—
s1 (E)	58	#5	13'-6"	—
t (E)	64	#5	7'-8"	—
u (E)	20	#4	5'-8"	—
v (E)	44	#8	14'-5"	—
w (E)	13	#4	29'-0"	—
Structure Excavation			Cu. Yd.	95
Concrete Structures			Cu. Yd.	64.7
Reinforcement Bars, Epoxy Coated			Pound	6,160
Rock Excavation For Structures			Cu. Yd.	8.7

\*\* Length is height of spiral



**HURST-ROSCHKE ENGINEERS, INC.**  
CONSULTING ENGINEERS & ARCHITECTS  
1805 INDUSTRIAL PARK DRIVE  
MARION, ILLINOIS 62959

DESIGNED: MEB CHECKED: JSP  
DRAWN: DEC CHECKED: MEB

**PIER #2**  
**TR 167 OVER**  
**ICG RAILROAD**  
**WILLIAMSON COUNTY**  
**SECTION 04-01225-00-BR**