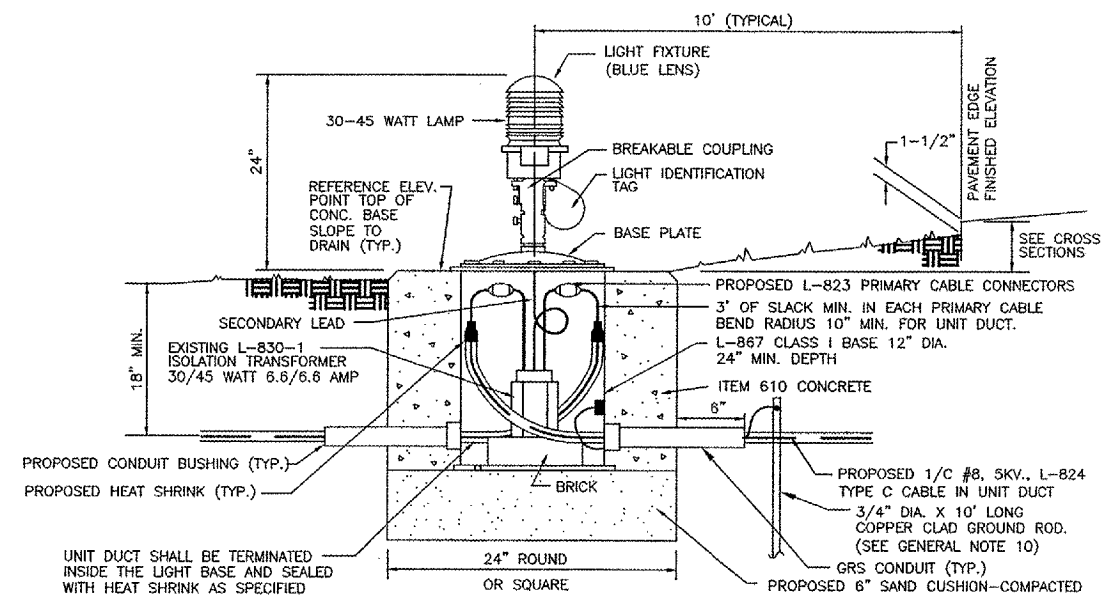
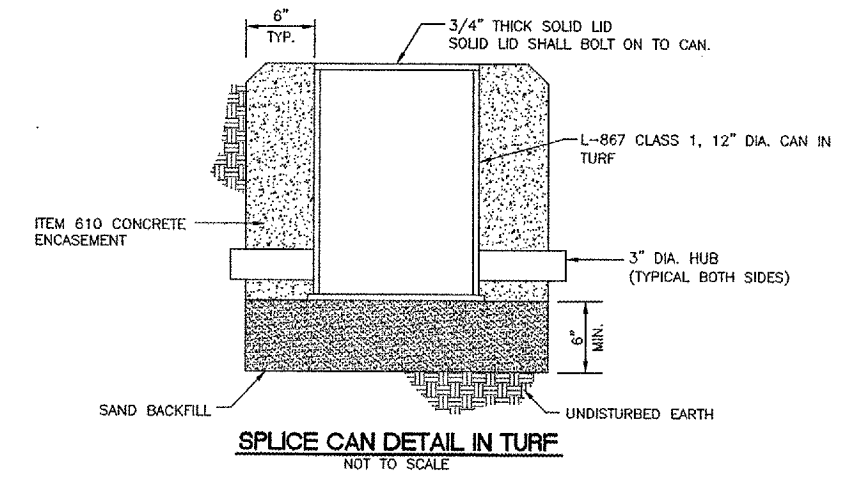


**PROPOSED STAKE MOUNTED
 MEDIUM INTENSITY TAXIWAY LIGHT**
 NOT TO SCALE

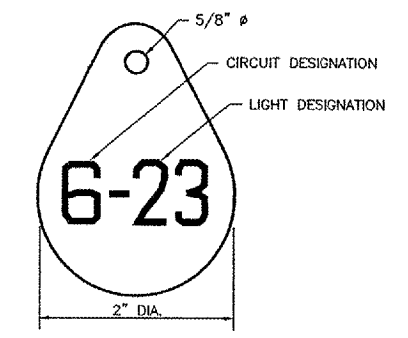


**PROPOSED BASE MOUNTED
 MEDIUM INTENSITY TAXIWAY LIGHT**
 NOT TO SCALE



GENERAL NOTES:

1. THE CONCRETE BASE FOR BASE MOUNTED LIGHTS SHALL BE TROWEL FINISHED WITH A 45° BEVELED EDGE. SLOPE TO DRAIN (610).
2. TRANSFORMER HOLDER SHALL BE ANY COMMERCIALY AVAILABLE BRICK.
3. BREAKING GROOVE COUPLINGS SHALL NOT BE OVER 1" ABOVE GROUND LINE.
4. ISOLATION TRANSFORMERS COME WITH A FACTORY INSTALLED PLUG (TYPE 1, CLASS A, STYLE 2) AND RECEPTACLE (TYPE 1, CLASS A, STYLE 9). A TYPE 1, CLASS B, STYLE 3 PLUG AND TYPE 1, CLASS B, STYLE 10 RECEPTACLE SHALL BE INSTALLED ON THE 1/C, No. 8, 5000 V., L-824 TYPE C CABLES FOR CONNECTION TO EACH TRANSFORMER.
5. TO FURTHER REDUCE THE POSSIBILITY OF WATER/MOISTURE ENTRANCE INTO THE CONNECTOR BETWEEN THE CABLE AND THE FIELD ATTACHED CONNECTOR, IT IS REQUIRED THAT A HEAT SHRINKABLE TUBING WITH INTERNAL ADHESIVE BE APPLIED OVER THE ENTIRE CABLE CONNECTOR.
6. ALL SIGNS, LIGHTS, CABLES AND TRANSFORMERS TO BE REMOVED SHALL REMAIN THE PROPERTY OF THE AIRPORT. AT THE DISCRETION OF THE AIRPORT MANAGER, THE CONTRACTOR MAY BE REQUIRED TO DISPOSE OF THESE MATERIALS OFFSITE AT NO ADDITIONAL COST.
7. TAXIWAY LIGHTS SHALL HAVE A BLUE LENS.
8. DUCT MARKERS SHALL BE INSTALLED AT EVERY NEW DUCT AND AT EVERY EXISTING DUCT USED FOR THIS PROJECT.
9. CONTRACTOR SHALL HAVE THE OPTION TO TRENCH OR PLOW UNIT DUCT. NO ADDITIONAL PAYMENT SHALL BE MADE FOR TRENCHING.
10. INSTALL 1/C #6 AWG BARE COPPER GROUND JUMPER CONNECTED TO GROUND LUG INSIDE BASE CAN OR STAKE AND EXOTHERMICALLY WELDED TO GROUND ROD.

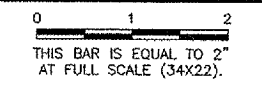


LIGHT IDENTIFICATION DETAIL
 NOT TO SCALE

NOTES:

1. INSTALL A NONCORROSIVE DISC OF 2" MINIMUM DIAMETER WITH THE NUMBER PERMANENTLY STAMPED, CUT OUT, OR ENGRAVED UNDER THE HEAD OF THE BASE PLATE BOLT OR ATTACHED TO LIGHT FLANGE WITH A SET SCREW.
2. NUMERALS SHOWN ARE FOR ILLUSTRATIVE PURPOSES ONLY. ALL EXISTING AND PROPOSED TAXIWAY AND RUNWAY LIGHTS SHALL BE TAGGED AS DIRECTED BY THE RESIDENT ENGINEER. ALL LIGHTS ON EXISTING CIRCUITS THAT HAVE LIGHTING IMPROVEMENTS (NEW OR RELOCATED LIGHTS) SHALL BE RETAGGED.
3. COST OF TAGGING LIGHTS SHALL NOT BE PAID FOR SEPARATELY BUT SHALL BE CONSIDERED INCIDENTAL TO THE CONTRACT.

REVISIONS		
NUMBER	BY	DATE



**AURORA MUNICIPAL AIRPORT
 AURORA, ILLINOIS
 REHABILITATE AND STRENGTHEN TAXIWAY ALPHA-WEST END**

ELECTRICAL DETAILS - SHEET 2

© Copyright CMT, Inc.

CMT
 CRAWFORD, MURPHY & TILLY, INC.
 CONSULTING ENGINEERS
 License No. 84-000678

DESIGN BY:	AB
DRAWN BY:	JRO
CHECKED BY:	ARM
APPROVED BY:	DKP
DATE:	04/20/07
JOB No:	04285-05
ILLINOIS PROJECT: ARR-3514 A.I.P. PROJECT: 3-17-0003-B32 FINAL SUBMITTAL	
SHEET	15 OF 15 SHEETS