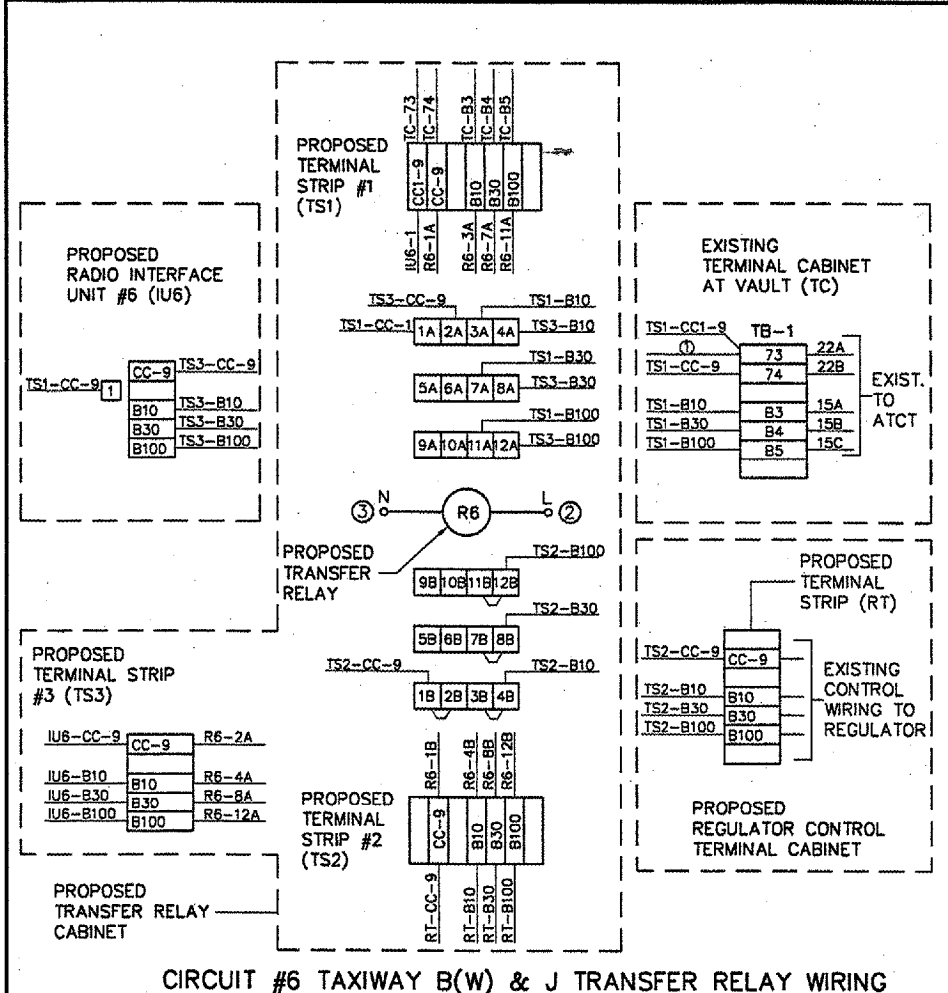
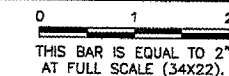
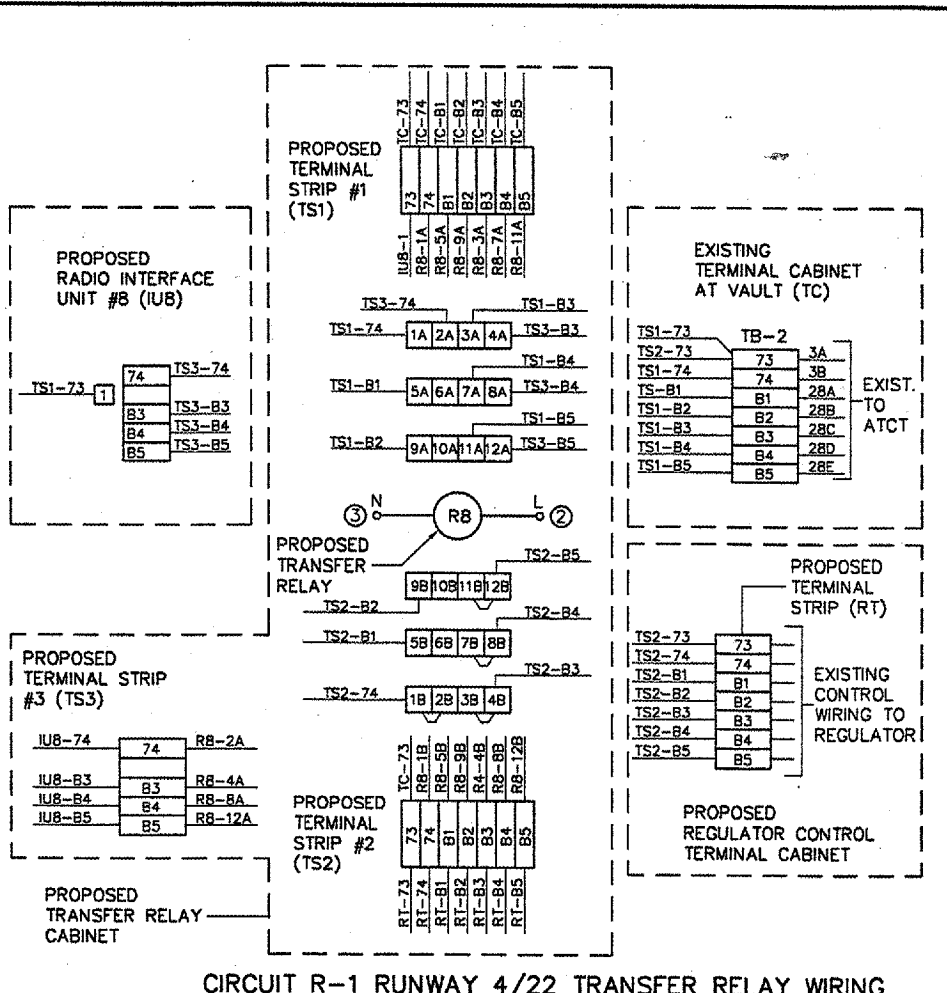


REVISIONS

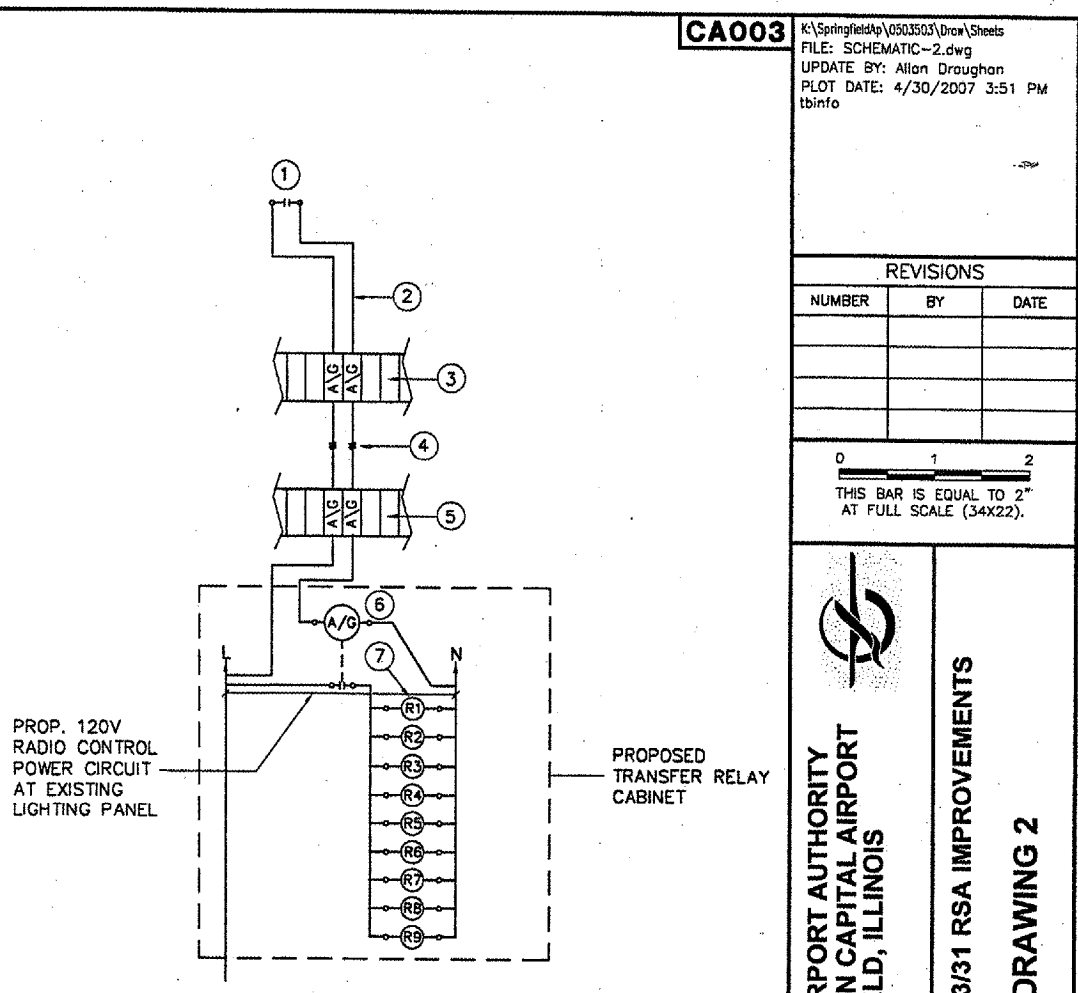
NUMBER	BY	DATE



CIRCUIT #6 TAXIWAY B(W) & J TRANSFER RELAY WIRING



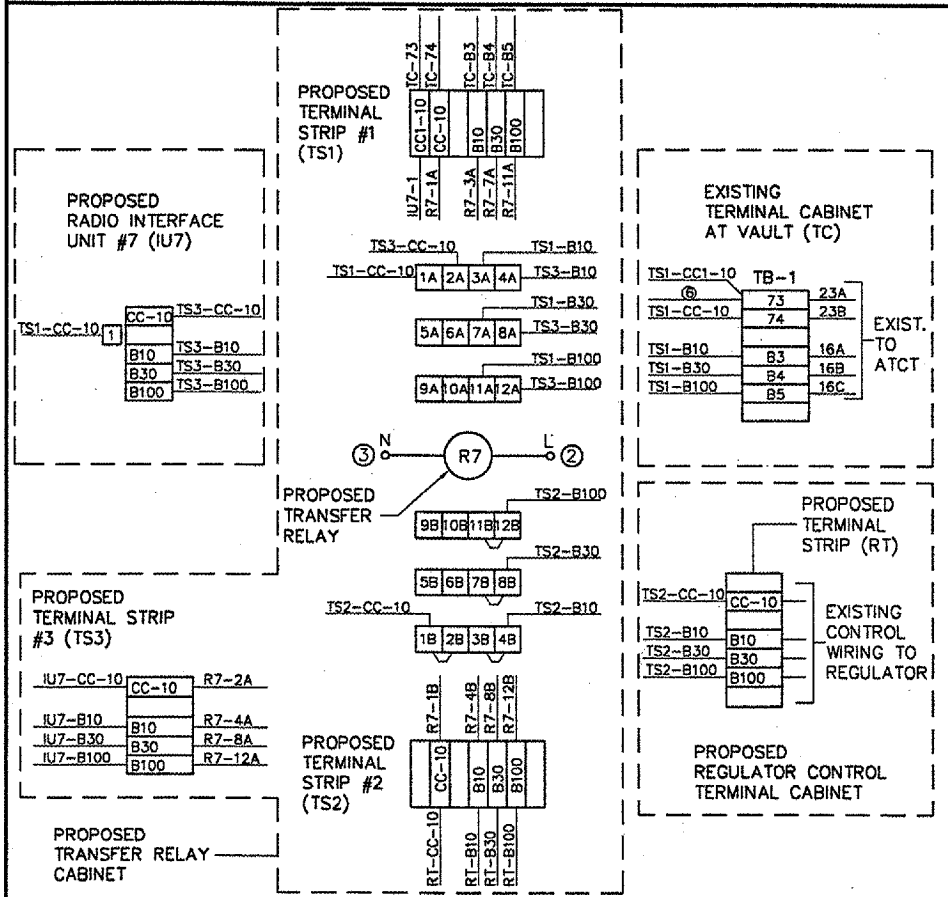
CIRCUIT R-1 RUNWAY 4/22 TRANSFER RELAY WIRING



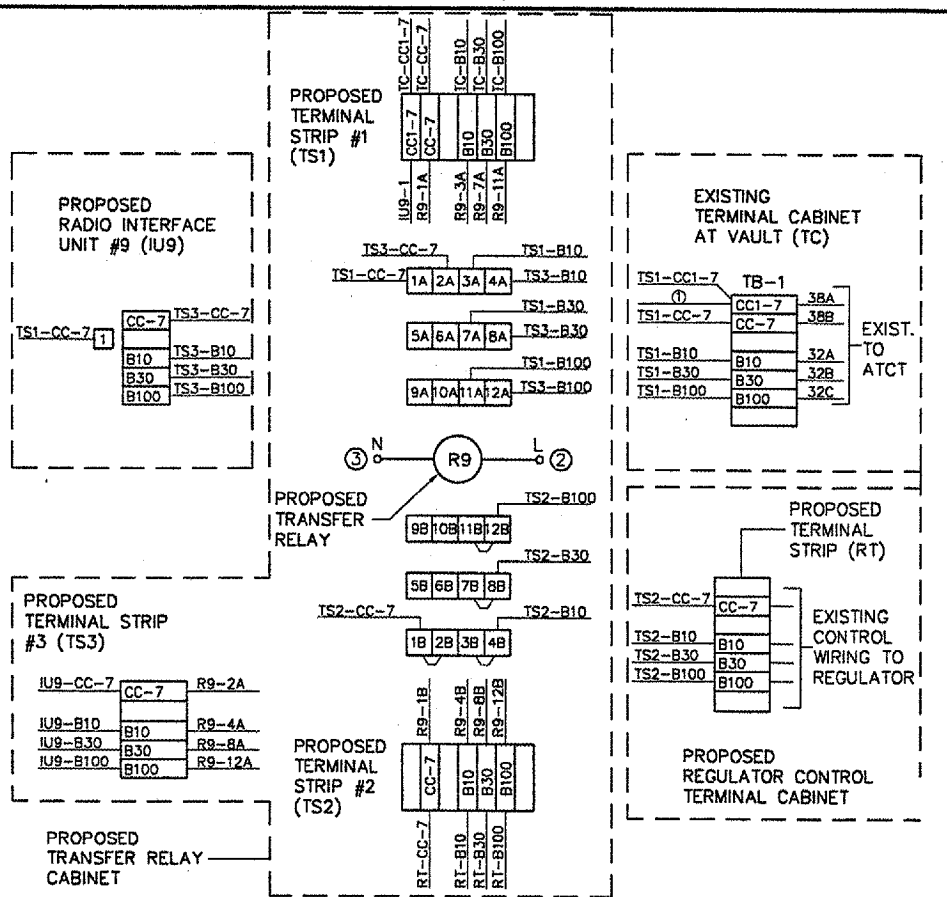
AIR-TO-GROUND WIRING DIAGRAM

AIR-TO-GROUND WIRING NOTES

- EXISTING SPARE AIR-TO-GROUND CONTROL AT ATCT L-821 PANEL. "NON-POWERED" CONTACT WIRING SHOWN - CLOSSES WHEN "PILOT" CONTROL IS SELECTED. SEE SPEC'S.
- PROPOSED CONTROL WIRING.
- EXISTING SPARE TERMINAL BLOCKS AT ATCT L-821 PANEL. RELABEL AS SHOWN.
- EXISTING SPARE CONTROL WIRES FROM ATCT L-821 PANEL TO VAULT TERMINAL CABINET.
- EXISTING SPARE TERMINAL BLOCKS AT VAULT TERMINAL CABINET. RELABEL AS SHOWN.
- PROPOSED AIR-TO-GROUND CONTROL RELAY, SQUARE D TYPE KP, OR EQUIVALENT.
- PROPOSED REGULATOR TRANSFER RELAYS.



CIRCUIT #7 TAXIWAY A(NE) & F TRANSFER RELAY WIRING



CIRCUIT R-2 RUNWAY 13/31 TRANSFER RELAY WIRING

**RECORD DRAWING**  
THIS PLAN SHEET IS PROVIDED FOR INFORMATION ONLY TO ASSIST THE CONTRACTOR IN MAKING THE MODIFICATIONS SHOWN ON THE PLANS AND IN THE SPECIFICATIONS. THE INFORMATION PROVIDED IS BASED ON BEST-AVAILABLE RECORD DRAWINGS OF EXISTING CONDITIONS IN THE VAULT. THE CONTRACTOR SHALL VERIFY ALL EXISTING CONDITIONS PRIOR TO COMMENCING WORK.



SPRINGFIELD AIRPORT AUTHORITY  
ABRAHAM LINCOLN CAPITAL AIRPORT  
SPRINGFIELD, ILLINOIS

CONSTRUCT RUNWAY 13/31 RSA IMPROVEMENTS  
RECORD DRAWING 2

© Copyright CMT, Inc.  
**CMT**  
CRAWFORD, MURPHY & TILLY, INC.  
CONSULTING ENGINEERS  
License No. 864-000610

DESIGN BY: WDP  
DRAWN BY: CMT  
CHECKED BY: *RW*  
APPROVED BY: *RW*  
DATE: 04/24/07  
JOB No: 05035-03  
IL PROJ. NO. SPI-3488  
AIP PROJ. NO. 3-17-0096-42