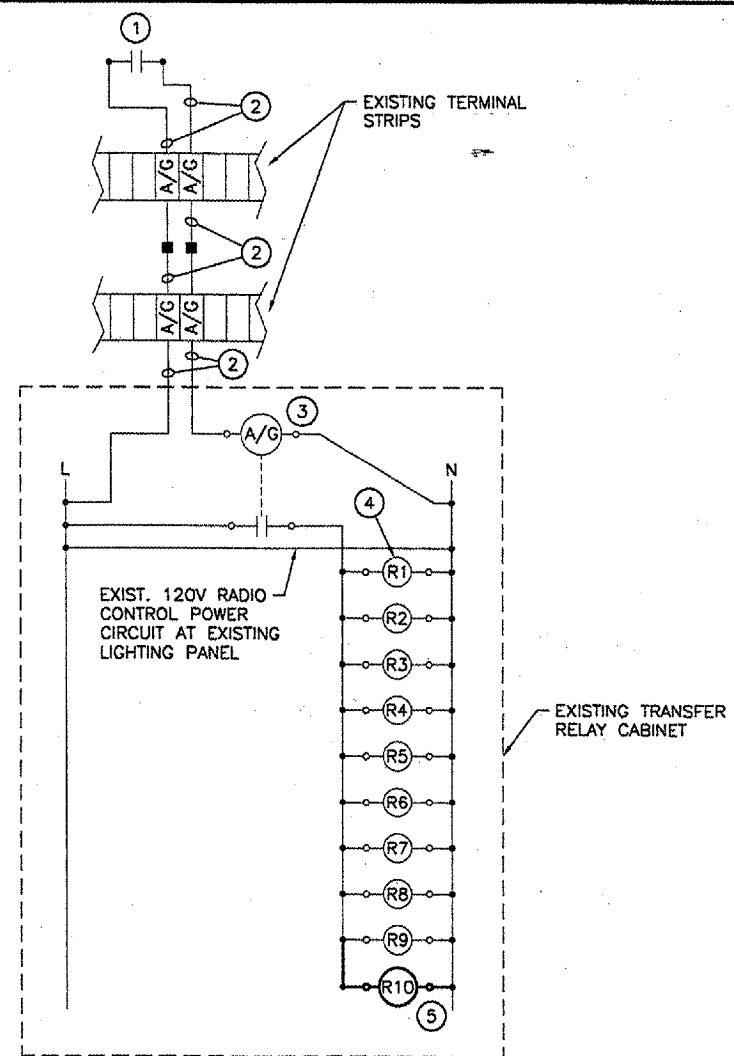


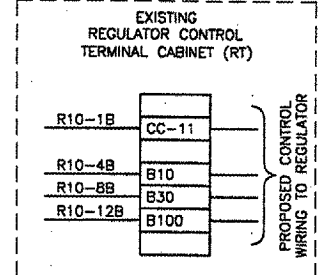
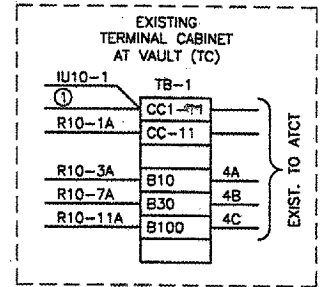
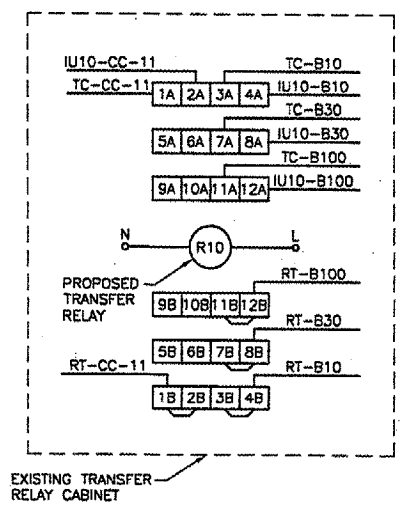
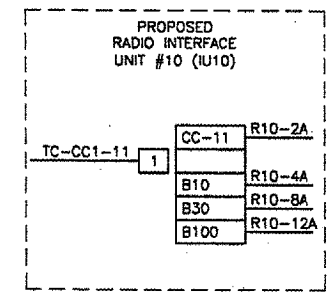
**RADIO CONTROL WIRING**



**AIR-TO-GROUND WIRING DIAGRAM**

**AIR-TO-GROUND WIRING NOTES**

- ① EXISTING PCAL CONTROL AT ATCT L-821 PANEL.
- ② EXISTING CONTROL WIRING.
- ③ EXISTING AIR-TO-GROUND CONTROL RELAY.
- ④ EXISTING REGULATOR TRANSFER RELAYS, R1-R9.
- ⑤ PROPOSED CKT #8: TXY. A-SW REGULATOR TRANSFER RELAY R10.



① PROPOSED 120V FROM EXISTING LIGHTING PANEL.

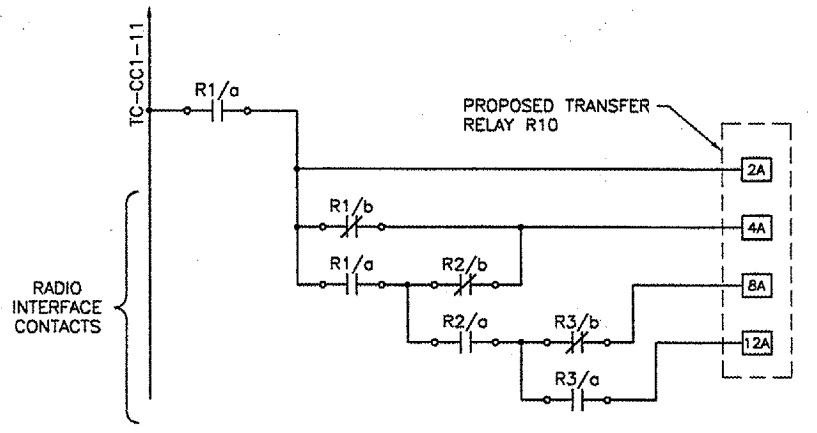
**CIRCUIT #8: TAXIWAY A(SW) TRANSFER RELAY WIRING**

**NOTE**

- ① PROPOSED TRANSFER RELAY R10 TO BE 12-POLE, SQUARE D TYPE X01200. INSTALL IN EXISTING TRANSFER RELAY CABINET. CONTACT BLOCKS TO BE ARRANGED AS SHOWN:

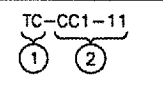
CONTACT ARRAY	X	O	X	O
	X	O	X	O
	X	O	X	O

X = NORMALLY CLOSED  
 O = NORMALLY OPENED



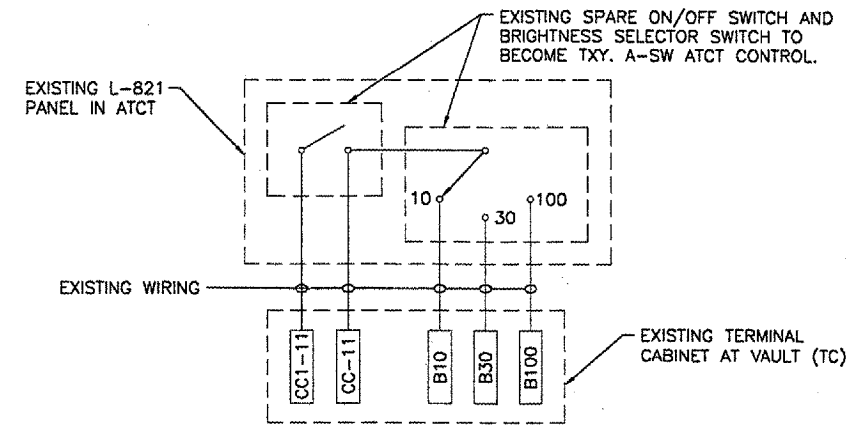
**CKT. #8: TXY. A-SW RADIO INTERFACE WIRING**

**WIRING LEGEND**

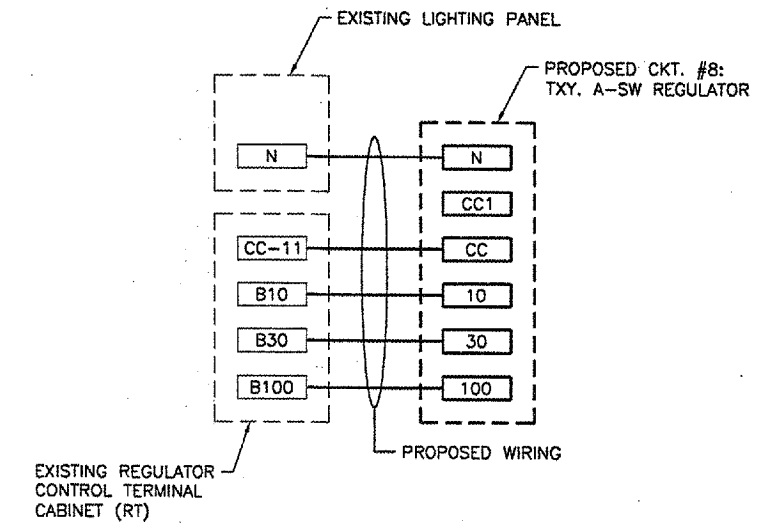


**WIRING LEGEND NOTES**

- ① DESIGNATES WIRE DESTINATION:  
 TC = VAULT TERMINAL CABINET.  
 R10 = TRANSFER RELAY R10  
 IU10 = RADIO INTERFACE UNIT #10  
 RT = REGULATOR CONTROL TERMINAL CABINET
- ② DESIGNATES WIRE TERMINATION IDENTIFICATION LABEL  
 CC1-11 = UNSWITCHED 120V CONTROL POWER FROM EXISTING LIGHTING PANEL  
 CC-11 = SWITCHED 120V CONTROL POWER  
 B10 = SWITCHED 10% BRIGHTNESS 120V CONTROL POWER  
 B30 = SWITCHED 30% BRIGHTNESS 120V CONTROL POWER  
 B100 = SWITCHED 100% BRIGHTNESS 120V CONTROL POWER  
 N = NEUTRAL FROM EXISTING LIGHTING PANEL



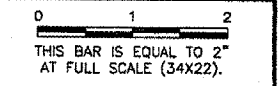
**EXISTING ATCT L-821 SWITCH WIRING (TO BECOME TXY A-SW ATCT CONTROL)**



**PROPOSED CKT. #8: TXY. A-SW REGULATOR WIRING**

**REVISIONS**

NUMBER	BY	DATE



**SPRINGFIELD AIRPORT AUTHORITY  
 ABRAHAM LINCOLN CAPITAL AIRPORT  
 SPRINGFIELD, ILLINOIS**

**CONSTRUCT RUNWAY 13/31 RSA IMPROVEMENTS  
 RECORD DRAWING 4**

© Copyright CMT, Inc.  
**CMT**  
 CRAWFORD, MURPHY & TILLY, INC.  
 CONSULTING ENGINEERS  
 License No. 184-000573

DESIGN BY:	WDP
DRAWN BY:	CMT
CHECKED BY:	RLV
APPROVED BY:	RLV
DATE:	04/24/07
JOB No:	05035-03
IL PROJ. NO.	SP1-3488
AIP PROJ. NO.	3-17-0096-42

**RECORD DRAWING**  
 THIS PLAN SHEET IS PROVIDED FOR INFORMATION ONLY TO ASSIST THE CONTRACTOR IN MAKING THE MODIFICATIONS SHOWN ON THE PLANS AND IN THE SPECIFICATIONS. THE INFORMATION PROVIDED IS BASED ON BEST-AVAILABLE RECORD DRAWINGS OF EXISTING CONDITIONS IN THE VAULT. THE CONTRACTOR SHALL VERIFY ALL EXISTING CONDITIONS PRIOR TO COMMENCING WORK.