

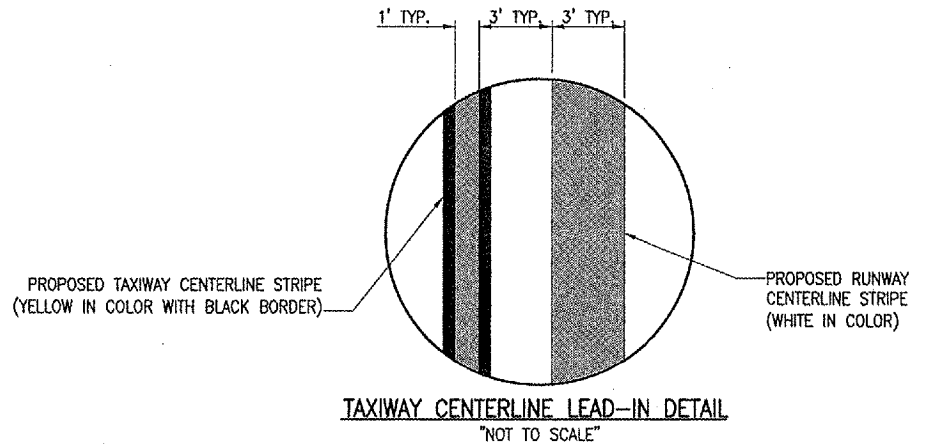
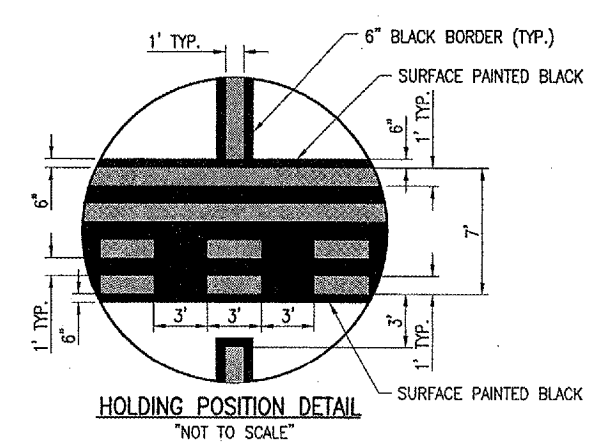
MATCHLINE STA. 49+00

MARKING REMOVAL NOTES

THE AREAS THAT ARE DESIGNATED EXISTING MARKING (TO BE REMOVED) WILL BE REMOVED BY SANDBLASTING OR SHOT BLASTING.

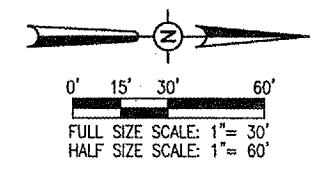
ALL AREAS TO BE REMOVED ARE CALCULATED AREAS. ANY ADDITIONAL AREAS, DUE TO OVER SPRAY, SHALL BE CONSIDERED INCIDENTAL TO THE CONTRACT AND NO ADDITIONAL COMPENSATION WILL BE ALLOWED.

THE PROPOSED MARKING REMOVAL SHALL BE PAID FOR UNDER ITEM:
AR620900 "PAVEMENT MARKING REMOVAL" - PER S.F.



LEGEND

- EXISTING PAVEMENT
- PROPOSED PAVEMENT
- EXISTING MARKING
- EXISTING MARKING (TO BE REMOVED)
- PROPOSED MARKING



STOP PROPOSED MARKING AT STA. 44+64.51

DATE	REVISION	BY

CARMI MUNICIPAL AIRPORT
CARM, ILLINOIS

REL. Project No. 801-071X.D. 0600	FILENAME: R-151MRK.DWG	DATE: 02/16/07
Scale: 1"=30'	LAYOUT	MDR 02/16/07
Scale: 1"=30'	DRAWN	MDR 02/16/07
Scale: 1"=30'	REVIEWED	CAH 03/27/07

HANSON
Hanson Professional Services Inc.
1525 South Sixth Street
Springfield, Illinois 62703-2885
Offices Nationwide

EXTEND PARTIAL PARALLEL TAXIWAY

PROPOSED MARKING PLAN

STA. 49+00 TO STA. 57+00

APR 27, 2007 7:42 AM BAK I:\AIRPORTS\CARMI\B01-071X\AIRPORT\ SHEETS\R-151MRK.DWG - STA. 49+00 TO STA. 57+00