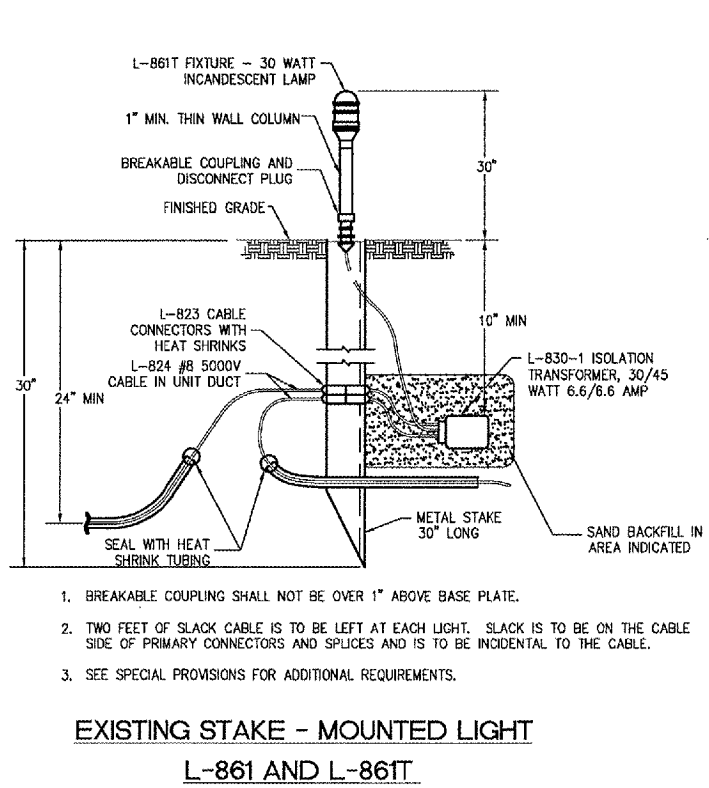
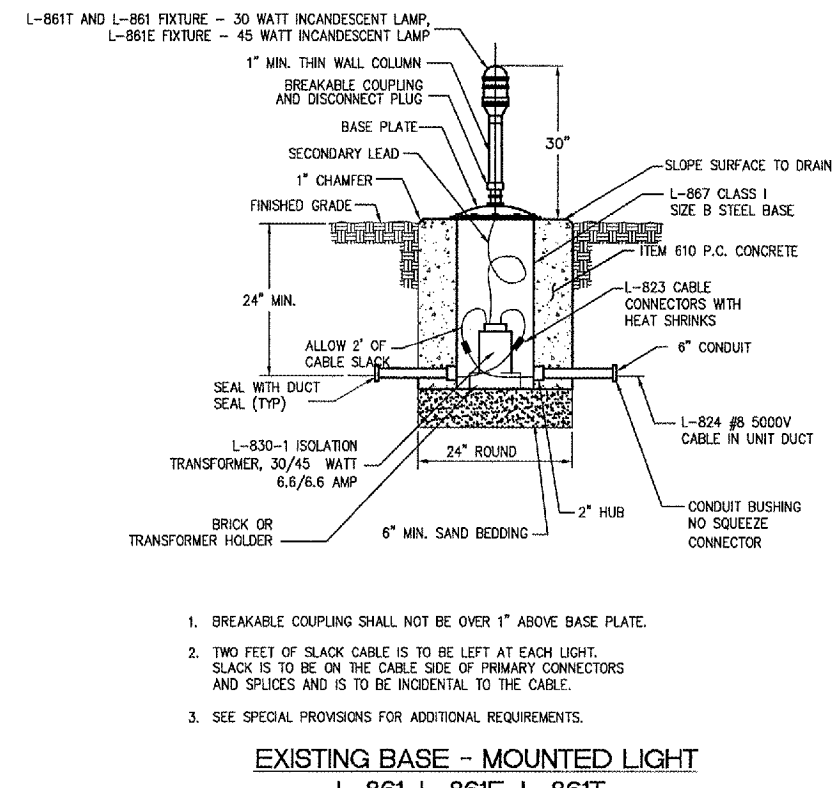


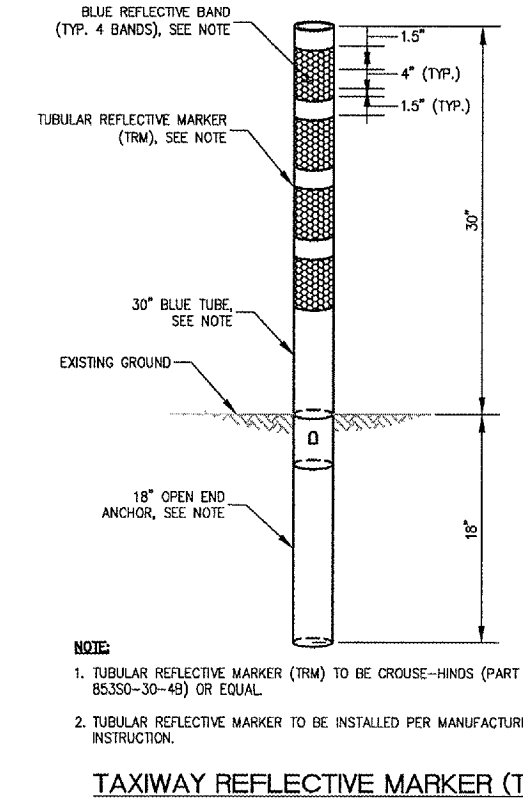
MATCHLINE STA. 209+50



1. BREAKABLE COUPLING SHALL NOT BE OVER 1" ABOVE BASE PLATE.
2. TWO FEET OF SLACK CABLE IS TO BE LEFT AT EACH LIGHT. SLACK IS TO BE ON THE CABLE SIDE OF PRIMARY CONNECTORS AND SPLICES AND IS TO BE INCIDENTAL TO THE CABLE.
3. SEE SPECIAL PROVISIONS FOR ADDITIONAL REQUIREMENTS.



1. BREAKABLE COUPLING SHALL NOT BE OVER 1" ABOVE BASE PLATE.
2. TWO FEET OF SLACK CABLE IS TO BE LEFT AT EACH LIGHT. SLACK IS TO BE ON THE CABLE SIDE OF PRIMARY CONNECTORS AND SPLICES AND IS TO BE INCIDENTAL TO THE CABLE.
3. SEE SPECIAL PROVISIONS FOR ADDITIONAL REQUIREMENTS.



- NOTE:**
1. TUBULAR REFLECTIVE MARKER (TRM) TO BE GROUSE-HINDS (PART NO. 85350-30-49) OR EQUAL.
  2. TUBULAR REFLECTIVE MARKER TO BE INSTALLED PER MANUFACTURER'S INSTRUCTION.

No.	Drawing Issue Description	Date	By

L:\06\0951\0043\06B8013\DRWINGS\06B8013-SHEETS\06-LIGHT ADJUSTMENT PLANNING MAY 14, 2007 2:19PM LDH