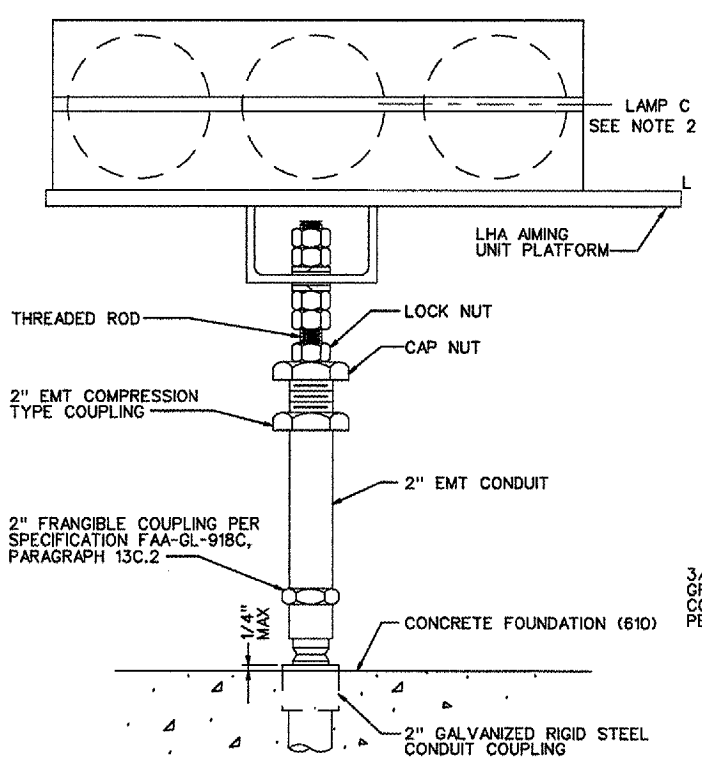
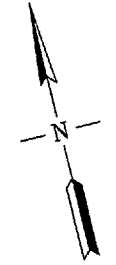


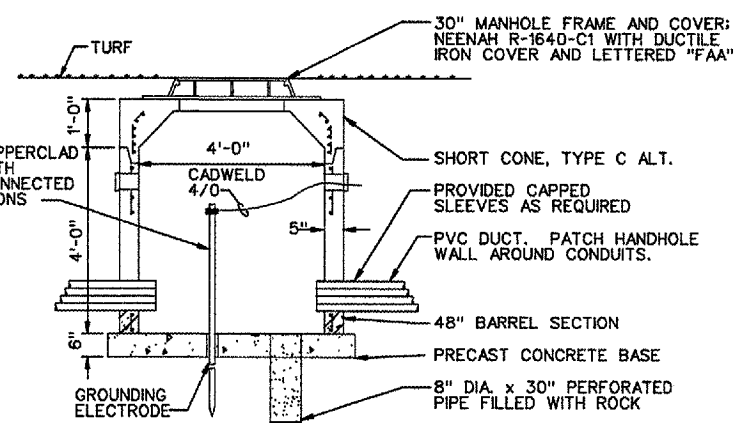
THE PAPI EQUIPMENT SHOWN IS BEDFORD PANORAMIC TYPE AS MANUFACTURED BY GODFREY



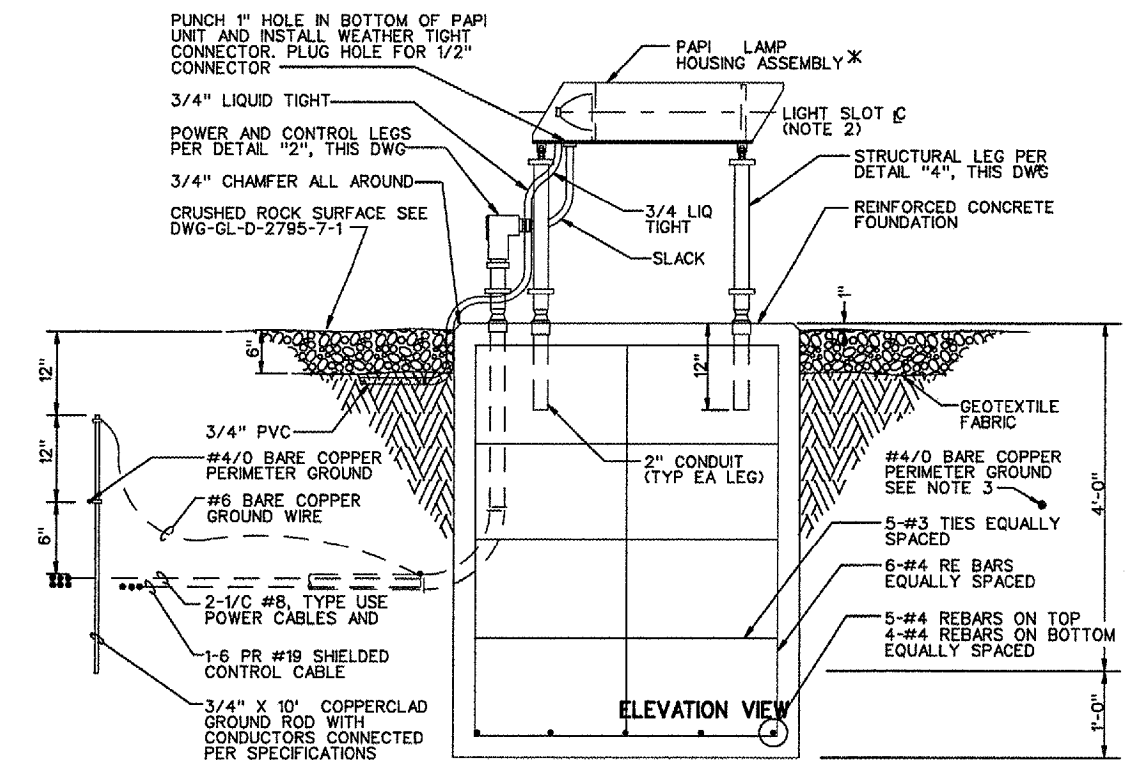
4 LAMP HOUSING ASSEMBLY STRUCTURAL LEG
SCALE: NONE

NOTES

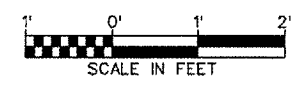
1. REMOVE PENDULUM RETAINING BOLT PRIOR TO AIMING THE PAPI UNIT AND COVERED HOLE WITH TAPE. AIM PAPI UNIT USING THE SUPPLIED AIMING INSTRUMENT AND TIGHTENED ADJUSTING NUTS. SET AIMING INSTRUMENT TO 0 00" AND SET ON TOP OF TILT SWITCH PLATFORM, LOOSEN THUMB SCREW RETAINING SCREW AND ADJUST TILT SWITCH UNTIL PLATFORM IS LEVEL. TIGHTEN THUMB SCREW RETAINING SCREW. TILT SWITCH IS NOW SET. AIMING TO BE COMPLETED BY FAA PERSONNEL.
2. FOR LAMP HOUSING ASSEMBLY LAMP CENTERLINE ELEVATION AND AIMING ANGLE, SEE TABLE "A", DWG. GL-D-2795-7-1. THE LAMP HOUSING UNITS ARE INSTALLED SUCH THAT THE BEAM CENTERS OF ALL THE UNITS ARE WITHIN 1 INCH (+/-) OF ELEVATION FROM UNIT TO UNIT.
3. THE #4/0 AWG BARE COPPER PERIMETER GROUND INSTALLED IN A CLOSED LOOP ENCOMPASSING ALL FOUR LAMP HOUSING ASSEMBLIES. GROUNDING RODS INSTALLED AT FOUR CORNERS. THE #6 BURIED GUARD WIRE CAD WELDED WITH THE #4/0 TO A GROUND ROD. SEE SYSTEM WIRING DIAGRAM, DWG GL-D-2795-7-4.
4. INSULATION AND SHIELD REMOVED FROM A LENGTH OF 6 PR #19 SH CONTROL CABLE SUFFICIENT TO PERMIT 5 CONDUCTORS TO REACH THEIR TERMINATIONS IN THE PAPI LAMP HOUSING UNIT WITHOUT STRAIN. INSIDE THE CONDULET, THE END OF THE CABLE SHIELD IS GROUNDED TO THE #6 BARE COPPER GROUND WIRE AND FOLDED BACK WITHOUT CUTTING. THE ENDS OF THE UNUSED SEVEN #19 CONDUCTORS TAPED.



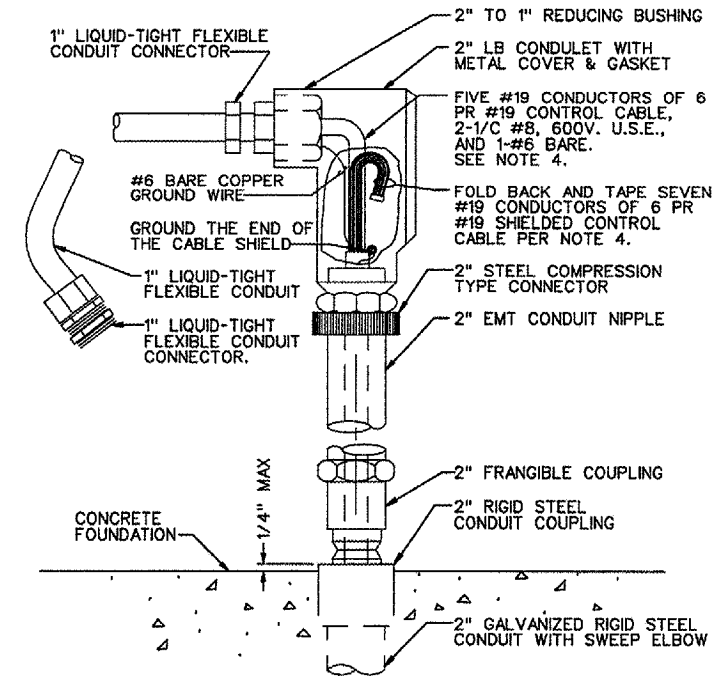
6 ELECTRICAL HANDHOLE
SCALE: NONE



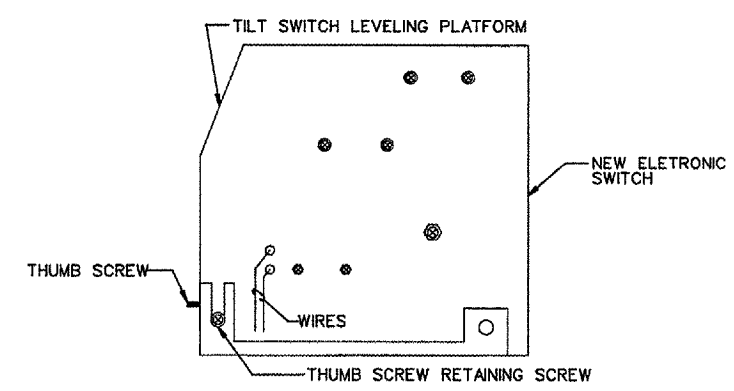
1 PAPI LAMP HOUSING ASSEMBLY (LHA)



* FURNISHED BY FAA AND INSTALL BY THE CONTRACTOR. ALL OTHER ITEMS SHALL BE FURNISHED AND INSTALLED BY THE CONTRACTOR.



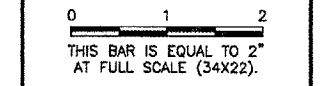
2 POWER & CONTROL LEG
SCALE: NONE



3 TILT SWITCH DETAILS
SCALE: NONE

REVISIONS

NUMBER	BY	DATE



DUPAGE AIRPORT
WEST CHICAGO, ILLINOIS

REMARK RUNWAY 10-28, RUNWAY 28 PAPI

LAMP HOUSING DETAILS
PAPI - RUNWAY 28

© Copyright, CMT, Inc.

CMT
CRAWFORD, MURPHY & TILLY, INC.
CONSULTING ENGINEERS
License No. 184-000618

DMA
DuPage Airport

DESIGN BY:	AB
DRAWN BY:	JRO
CHECKED BY:	AB
APPROVED BY:	DLP
DATE:	04/20/07
JOB No:	07257-04