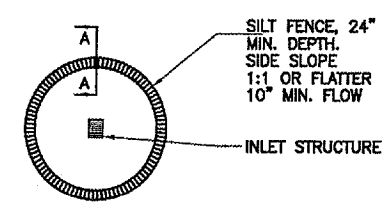
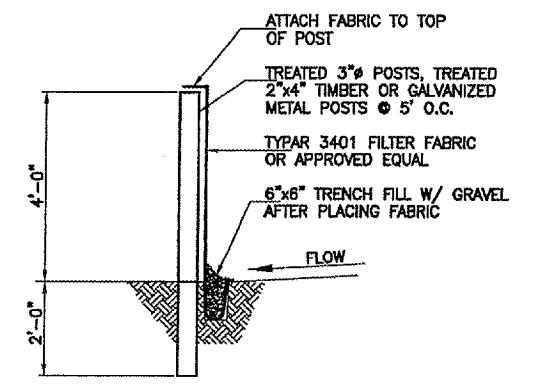


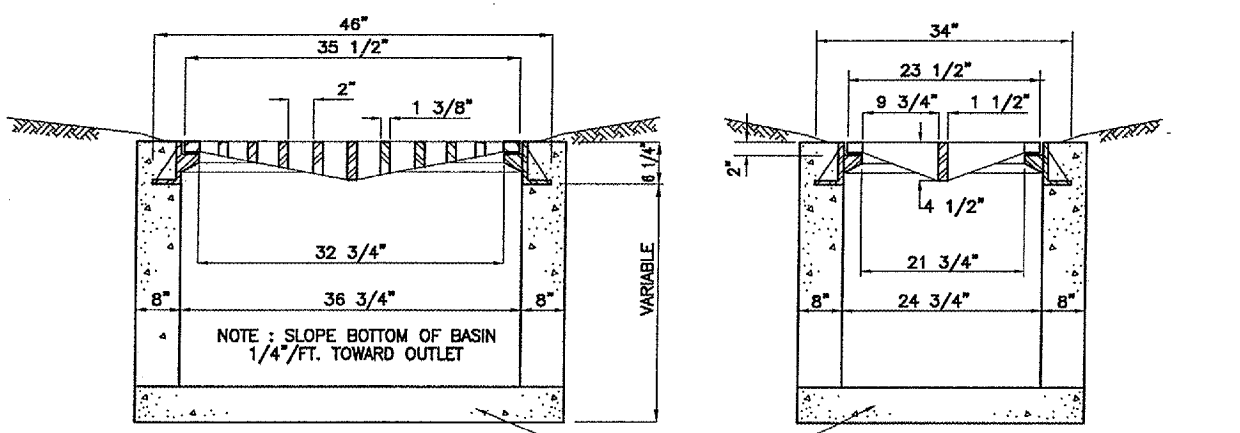
TYPICAL DETAIL - MANHOLE
 ADJUST - IN TURF



TEMPORARY SEDIMENT TRAP
 AT ALL INLET STRUCTURES



SECTION A-A
 SILT FENCE DETAIL
 NOT TO SCALE



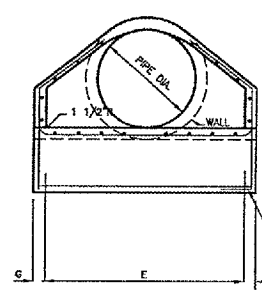
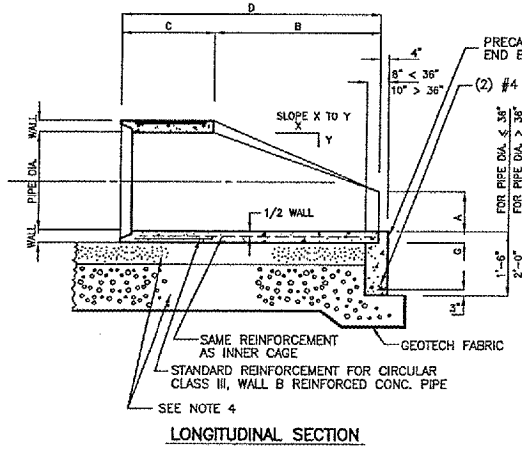
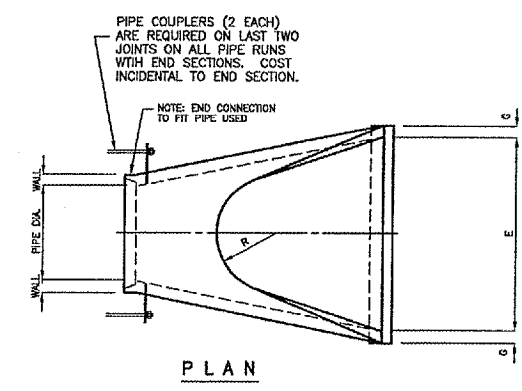
INLET SPECIAL, ITEM 751415

- NOTES :
1. INLET SPECIAL SHALL INCLUDE FRAME WITH SINGLE GRATE OF TYPE SIMILAR AND EQUAL TO NO. R 3475 AS SHOWN BY CATALOG "R" ELEVENTH EDITION OF NEENAH FOUNDRY CO.
 2. REMOVE BOLTS THAT HOLD THE GRATE TO THE FRAME AND DO NOT REINSTALL.

PRECAST REINFORCED CONCRETE FLARED END SECTION

PIPE DIA.	APPROX. WT. (LBS.)	WALL	A	B	C	D	E	G	R	SLOPE
12"	530	2"	4"	2'-0"	4'-0-7/8"	6'-0-7/8"	2'-0"	2'	9"	3:1
15"	740	2-1/4"	6"	2'-3"	3'-10"	6'-1"	2'-6"	2-1/4"	11"	3:1
18"	990	2-1/2"	9"	2'-3"	3'-10"	6'-1"	3'-0"	2-1/2"	12"	3:1
21"	1280	2-3/4"	9"	2'-11"	3'-2"	6'-1"	3'-6"	2-3/4"	13"	3:1
24"	1520	3"	9-1/2"	3'-7-1/2"	2'-6"	6'-1-1/2"	4'-0"	3"	14"	3:1
27"	1930	3-1/4"	10-1/2"	4'-0"	2'-1-1/2"	6'-1-1/2"	4'-6"	3-1/4"	14-1/2"	3:1
30"	2190	3-1/2"	1'-0"	4'-6"	1'-7-3/4"	6'-1-3/4"	5'-0"	3-1/2"	15"	3:1
33"	3200	3-3/4"	1'-1-1/2"	4'-10-1/2"	3'-3-1/4"	8'-1-3/4"	5'-6"	3-3/4"	17-1/2"	3:1
36"	4100	4"	1'-3"	5'-3"	2'-10-3/4"	8'-1-3/4"	6'-0"	4"	20"	3:1
42"	5380	4-1/2"	1'-9"	5'-3"	2'-11"	8'-2"	6'-6"	4-1/2"	22"	3:1
48"	6550	5"	2'-0"	6'-0"	2'-2"	8'-2"	7'-0"	5"	22"	3:1
54"	8240	5-1/2"	2'-3"	5'-5"	2'-11"	8'-4"	7'-6"	5-1/2"	24"	2.4:1
60"	8730	6"	2'-11"	5'-0"	3'-3"	8'-3"	8'-0"	5"	"	2:1
66"	10710	6-1/2"	2'-6"	6'-0"	2'-3"	8'-3"	8'-6"	5-1/2"	"	2:1
72"	12580	7"	3'-0"	6'-6"	1'-9"	8'-3"	9'-0"	6"	"	1.86:1
78"	14770	7-1/2"	3'-0"	7'-6"	1'-9"	9'-3"	9'-6"	6-1/2"	"	1.82:1
84"	18160	8"	3'-3"	7'-6-1/2"	1'-9"	9'-3-1/2"	10'-0"	6-1/2"	"	1.5:1

RADIUS AS FURNISHED BY MANUFACTURER



- NOTES:
1. PRECAST CONCRETE FLARED END SECTIONS SHALL CONFORM TO THE APPLICABLE REQUIREMENTS OF AASHTO M-170 CLASS III, WALL B REINFORCED CONCRETE PIPE.
 2. PRECAST CONCRETE FLARED END SECTION FOR PIPE DIAMETER REQUIRED SHALL BE AS INDICATED ON DETAIL PLAN FOR EACH INDIVIDUAL INSTALLATION.
 3. THE END BLOCK SHALL BE PLACED PRIOR TO THE INSTALLATION OF THE FLARED END SECTION. THE END BLOCK SHALL BE BACKFILLED IN ACCORDANCE WITH ART. 701-3.7 OF THE STANDARD SPECIFICATIONS, COST INCIDENTAL TO END SECTION.
 4. BEDDING MATERIALS AND GEOTECH FABRIC PER 701 PIPE SPECIFICATION IN THE SPECIAL PROVISIONS AS SHOWN IN THIS DETAIL SHALL BE INCLUDED IN THE 752 PIPE END SECTION CONTRACT UNIT PRICE.

MODIFIED I.D.O.T.
 STANDARD 542301