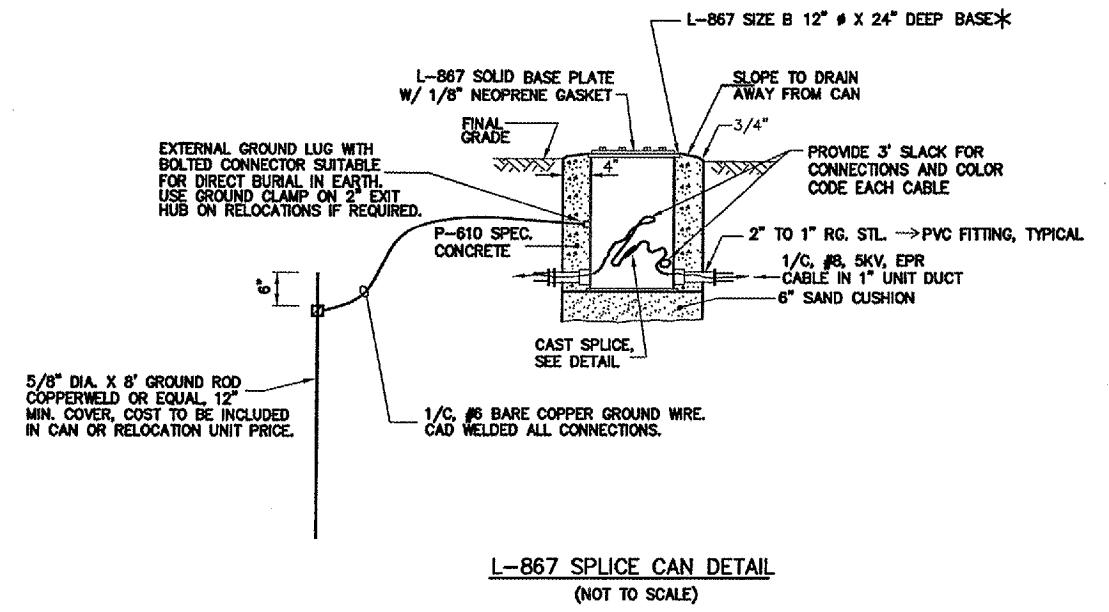
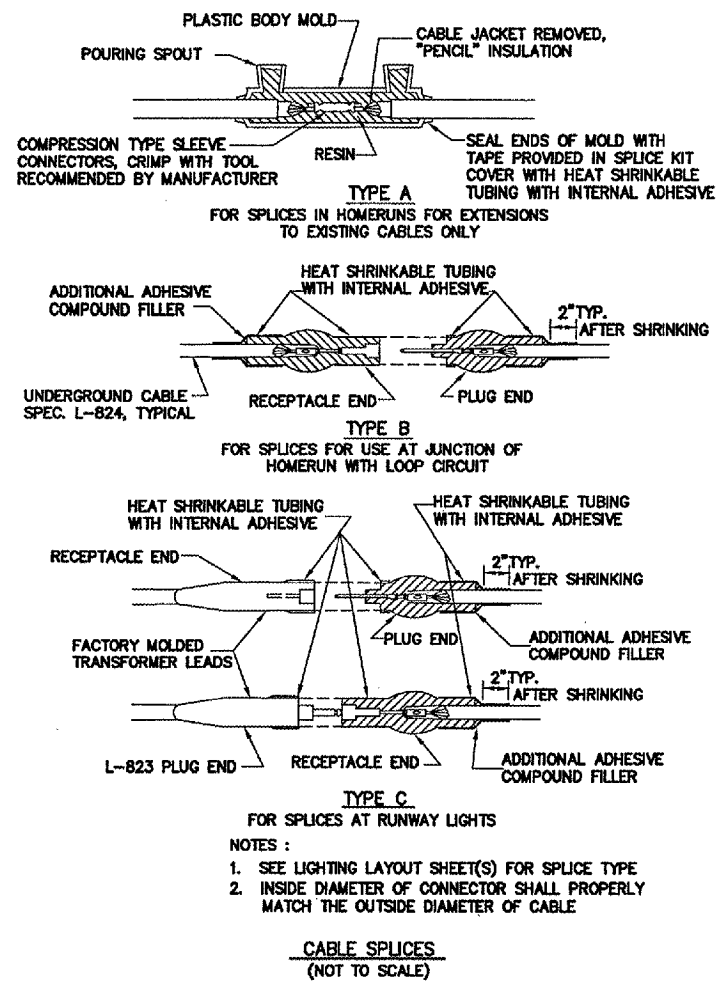
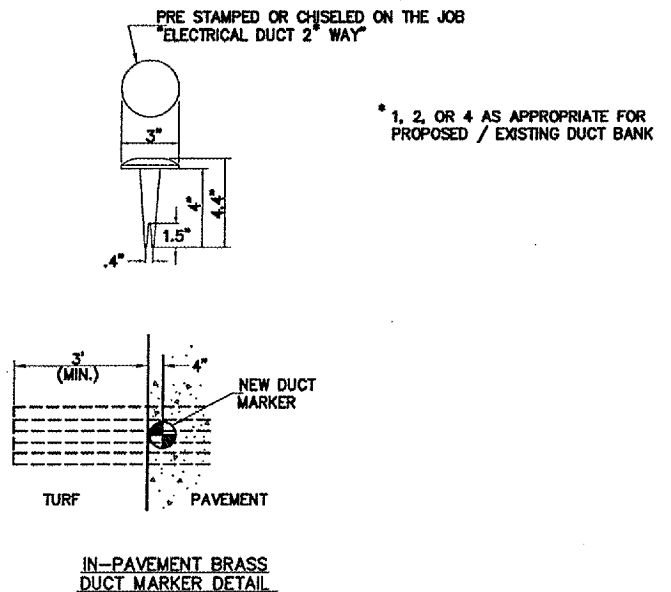


**GENERAL ELECTRICAL NOTES:**

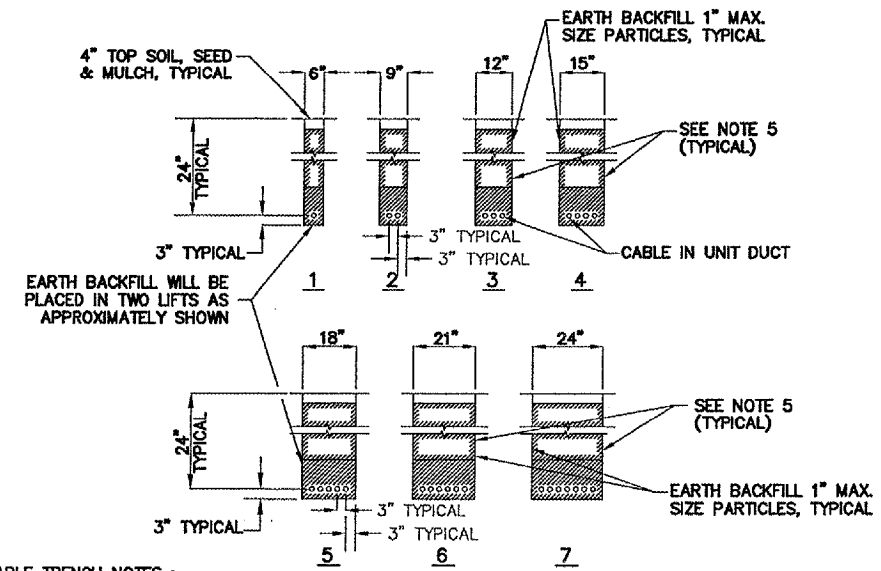
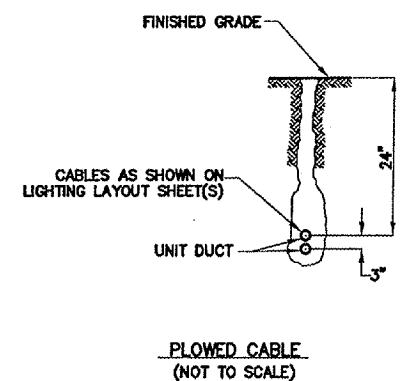
- ALL EXCAVATION SHALL BE DONE VERY CAREFULLY. EXCAVATION BY HAND DIGGING SHALL BE REQUIRED AROUND ALL EXISTING DUCT BANKS, SPLICE CANS, MANHOLES, AND EXISTING CABLES. MANY EXISTING ACTIVE UNDERGROUND CABLES, WHOSE EXACT LOCATIONS CANNOT BE DETERMINED, ARE FOUND IN THE PROJECT AREA. IN ORDER TO AVOID EXISTING UNDERGROUND CABLES, THE CONTRACTOR SHALL CONNECT A THUMPER TO ALL EXISTING CIRCUITS AFTER WHICH THEY SHALL BE STAKED IN ALL AREAS REQUIRING TRENCHING OR EXCAVATION. CONTRACTOR SHALL ALSO NOTE THAT LOW VOLTAGE, FAA CABLES ALSO RUN UNDERGROUND THROUGHOUT THESE AREAS. ANY CABLE DAMAGED SHALL BE REPAIRED OR REPLACED TO ORIGINAL CONDITION AT THE CONTRACTOR'S EXPENSE.
- A MINIMUM OF 3 FEET OF SLACK SHALL BE PROVIDED IN THE CABLES AT EACH TRANSFORMER, CONNECTOR, OR SPLICE POINT. ALL CABLE SPLICES SHALL OCCUR IN MANHOLES, LIGHT WELLS OR SPLICE CANS, UNLESS NOTED OTHERWISE.
- THE ELECTRICAL INSTALLATION, AS A MINIMUM, SHALL MEET THE NATIONAL ELECTRICAL CODE AND LOCAL REGULATIONS.
- ALL MANUFACTURERS FOR SUPPLYING AIRPORT LIGHTING EQUIPMENT SHALL APPEAR ON THE CURRENT FAA "APPROVED AIRPORT EQUIPMENT" LIST FOUND IN AC 150/5345-53B. THE EQUIPMENT SHALL COMPLY WITH THE APPLICABLE CURRENT FAA ADVISORY CIRCULAR LISTED IN THE FAA "APPROVED AIRPORT EQUIPMENT" LIST FOUND IN AC 150/5345-2 (AIRPORTS ELECTRONIC BULLETIN BOARD NUMBER 14).
- THE CONTRACTOR SHALL ASCERTAIN THAT ALL LIGHTING SYSTEM COMPONENTS FURNISHED BY HIM (INCLUDING FAA APPROVED EQUIPMENT) ARE COMPATIBLE IN ALL RESPECTS WITH EACH OTHER AND THE REMAINDER OF THE NEW/EXISTING SYSTEM. ANY NONCOMPATIBLE COMPONENTS FURNISHED BY THIS CONTRACTOR SHALL BE REPLACED BY HIM AT NO ADDITIONAL COST TO THE AIRPORT SPONSOR WITH A SIMILAR UNIT, APPROVED BY THE ENGINEER (DIFFERENT MODEL OR DIFFERENT MANUFACTURER) THAT IS COMPATIBLE WITH THE REMAINDER OF THE AIRPORT LIGHTING SYSTEM.
- IF THE CONTRACTOR SELECTS TO FURNISH AND INSTALL AIRPORT LIGHTING EQUIPMENT WHICH REQUIRES ADDITIONAL WIRING, TRANSFORMERS, ADAPTERS, MOUNTINGS, ETC., BEYOND THAT SHOWN ON THE DRAWINGS AND/OR LISTED IN THE SPECIFICATIONS, THEN THE COST FOR THE ADDITIONAL ITEMS SHALL BE INCLUDED TO THE CONTRACT UNIT PRICES.
- THE CONTRACTOR INSTALLED EQUIPMENT (INCLUDING FAA APPROVED) SHALL NOT GENERATE ANY ELECTROMAGNETIC INTERFERENCE IN THE EXISTING AND/OR NEW COMMUNICATIONS, WEATHER, AIR NAVIGATION, AND AIR TRAFFIC CONTROL EQUIPMENT. ANY EQUIPMENT GENERATING SUCH INTERFERENCE SHALL BE REPLACED BY THE CONTRACTOR AT NO ADDITIONAL COST WITH THE EQUIPMENT MEETING THE APPLICABLE SPECIFICATIONS AND NOT GENERATING ANY INTERFERENCE.
- WHEN A SPECIFIC TYPE, STYLE, CLASS, ETC. OF FAA APPROVED EQUIPMENT IS SPECIFIED ONLY THAT TYPE, STYLE, CLASS, WILL BE ACCEPTABLE, EVEN THOUGH EQUIPMENT OF OTHER TYPES, STYLES, CLASSES, ETC. MAY BE FAA APPROVED.
- ALL CONCRETE FOR ELECTRICAL EQUIPMENT SHALL COMPLY WITH SPECIFICATION 610-STRUCTURAL PC CONCRETE 3500 PSI AT 28 DAYS, AIR ENTRAINED CONCRETE MIX SHALL BE USED.
- BASE MOUNTED BREAKABLE COUPLINGS SHALL NOT HAVE WEEP HOLES TO THE OUTSIDE. PLUGGED UP HOLES SHALL NOT BE ACCEPTABLE. IT SHALL HAVE A 1/4" DIAMETER OR EQUIVALENT OPENING FOR DRAINAGE FROM THE SPACE AROUND THE CONNECTOR INTO THE BASE.
- THE ELEVATION OF THE BREAKABLE COUPLING GROOVE SHALL NOT EXCEED 1 1/2" ABOVE THE EDGE OF THE COVER IN THE CASE OF A BASE MOUNTED COUPLING.
- ALL PERMANENT CABLE SPLICES SHALL OCCUR IN MANHOLES, LIGHT WELLS, OR SPLICE CANS, UNLESS NOTED OTHERWISE.
- MIMIC PANEL COLORS : RUNWAY 13-31 CIRCUIT 1 = WHITE, RUNWAY 13-31 CIRCUIT 2 = WHITE, TAXIWAY B CIRCUIT = PINK, TAXIWAY F CIRCUIT 2 = LIME, AND TAXIWAY K CIRCUIT 2 = RED.



- NOTES :**
- \* ORDER L-867 BASE WITH ADDITIONAL 2" CONDUIT HUB APPROXIMATELY 90' FROM MAIN ENTRANCE HUB WHERE SHOWN ON PLAN SHEETS.
  - SUPPLY & INSTALL NEW GROUNDING ROD WITH EACH RELOCATION PER THIS DETAIL. INCLUDE GROUNDING ROD & WIRE COSTS IN RELOCATION UNIT PRICE.



NOTE: PAVING CONTRACTOR SHALL INSTALL NEW BRASS DUCT MARKERS IN THE PROPOSED PAVEMENT AT ALL LOCATIONS WHERE THE PROPOSED PAVEMENT CROSSES EXISTING OR PROPOSED ELECTRICAL DUCTS. COST OF DUCT MARKERS SHALL BE INCLUDED IN THE 401 AND / OR 501 CONTRACT UNIT PRICES.



- CABLE TRENCH NOTES :**
- DETAIL NUMBERS INDICATE NO. OF CABLES.
  - TRENCHES WITH MORE THAN 7 CABLES SHALL BE INCREASED 3" IN WIDTH FOR EACH ADDITIONAL CABLE; IF SPECIFIED ON PLANS, TWO PARALLEL TRENCHES MAY BE CONSTRUCTED.
  - DEPTH OF TRENCHES SHALL BE AS SHOWN ABOVE UNLESS OTHERWISE SPECIFIED ON THE PLANS.
  - ALL DISTURBED SURFACES SHALL BE RESTORED TO THEIR ORIGINAL CONDITION. COST IS INCIDENTAL TO TRENCH. RETURFING MATERIALS AND RATES MAY BE SHOWN ON THE PLANS.
  - INSTALL YELLOW PLASTIC WARNING RIBBON IN TRENCH 9" ABOVE CABLES (TYPICAL ALL TRENCHES).