

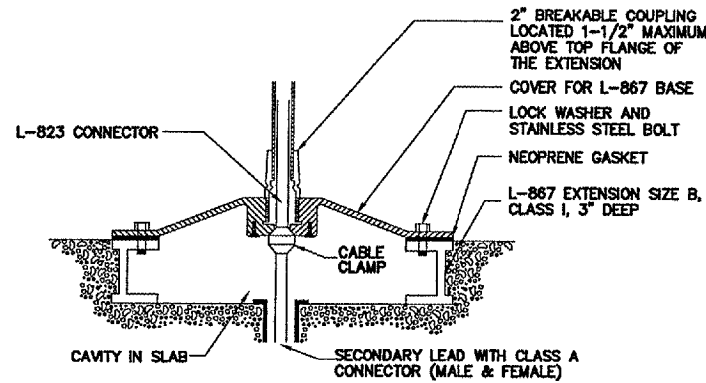
NOTES:

1. NEW MARKERS ARE REQUIRED ON ALL FAA CABLES. CABLE MARKERS SHALL BE INSTALLED BY THE CONTRACTOR AT ALL LOCATIONS SELECTED BY THE RESIDENT ENGINEER AND / OR THE FAA. THE CONTRACTOR SHALL BE REQUIRED TO ADJUST THE ELEVATION OF EXISTING MARKERS AND / OR REPLACE EXISTING MARKERS DAMAGED DURING CONSTRUCTION.
2. COST OF CONCRETE MARKERS IS INCIDENTAL TO THE ASSOCIATED ITEMS OF DUCT OR CABLE.
3. EDGE EXPOSED CONCRETE WITH A 1/4" RADIUS TOOL.
4. WHERE ADDITIONAL SPACE TO FIT THE LEGEND IS REQUIRED, SOME OF THE FOLLOWING METHODS SHALL BE EMPLOYED.
 - A. REDUCE LETTER SIZE TO 3" HIGH, 2" WIDE.
 - B. INCREASE THE MARKER SIZE TO 30" X 30" MAX.
 - C. PROVIDE ADDITIONAL MARKERS PLACED SIDE BY SIDE.

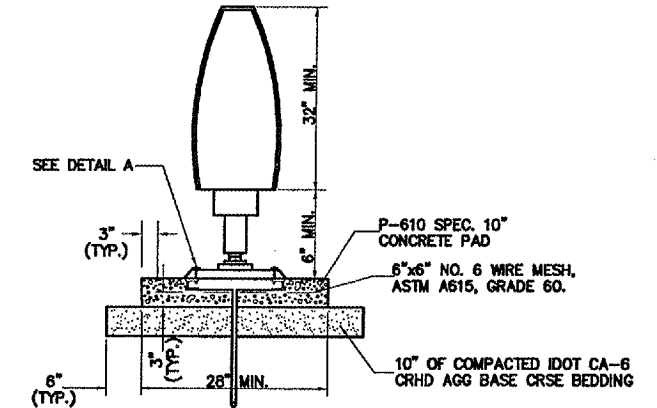
NUMBER OF MODULES	TRANSFORMER WATTAGE
1	100
2	300
3	500
4	500
DISTANCE REMAINING	500

TRANSFORMERS SHALL BE 6.6/6.6 AMP.
 * - OR AS REQUIRED BY SIGN MANUFACTURER.

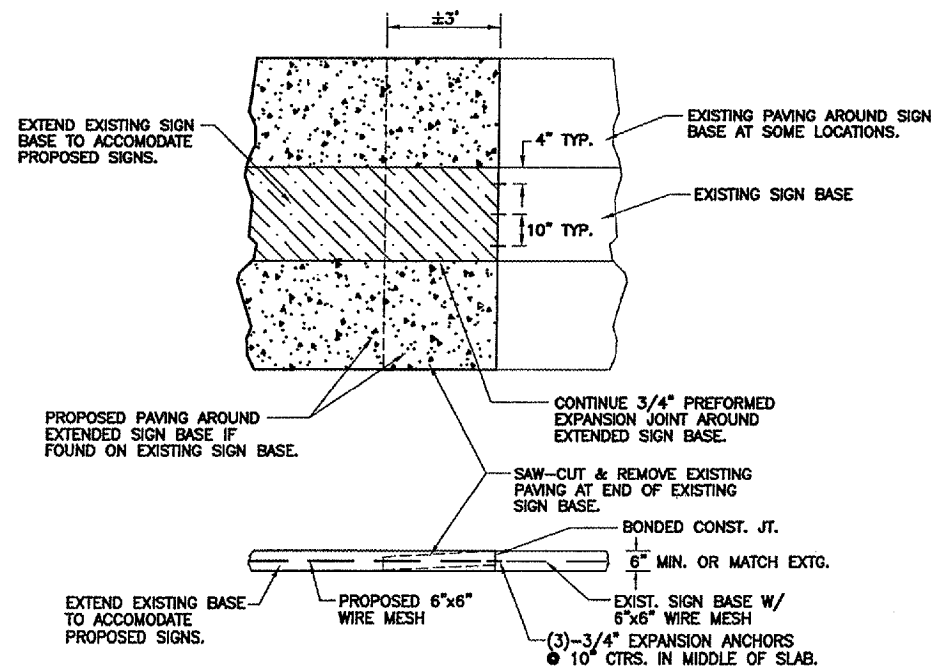
PROPOSED GUIDANCE / DISTANCE REMAINING SIGNS



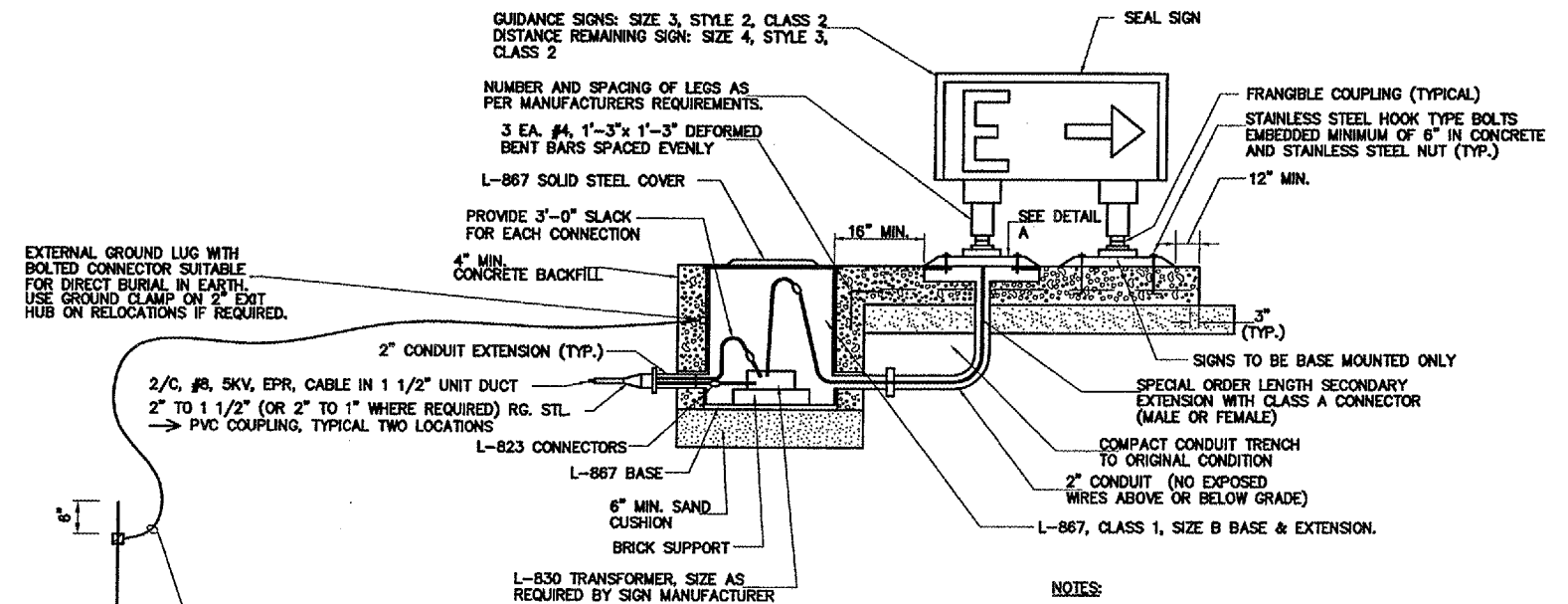
DETAIL A



SIDE VIEW



EXISTING SIGN BASE
 EXTENSION DETAIL



FRONT VIEW

NOTES:

1. COLOR CODE TAPE FOR WIRE IDENTIFICATION 6" BEFORE L-823 CONNECTORS.
2. WHERE PROPOSED SIGNS ARE INSTALLED BESIDE EXISTING SIGNS PROVIDE 1" SPACE BETWEEN SIGNS.
3. SUPPLY & INSTALL NEW GROUNDING ROD WITH EACH RELOCATION PER THIS DETAIL. INCLUDE GROUNDING ROD & WIRE COSTS IN RELOCATION UNIT PRICE.

5/8" DIA. X 8' GROUND ROD COPPERWELD OR EQUAL, 12" MIN. COVER. COST TO BE INCLUDED IN CAN OR RELOCATION UNIT PRICE.

1/C. #6 BARE COPPER GROUND WIRE. CAD WELDED ALL CONNECTIONS.