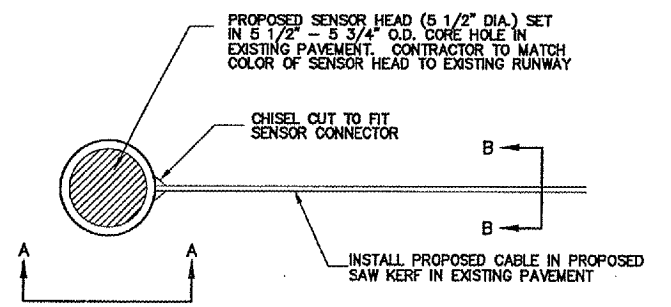
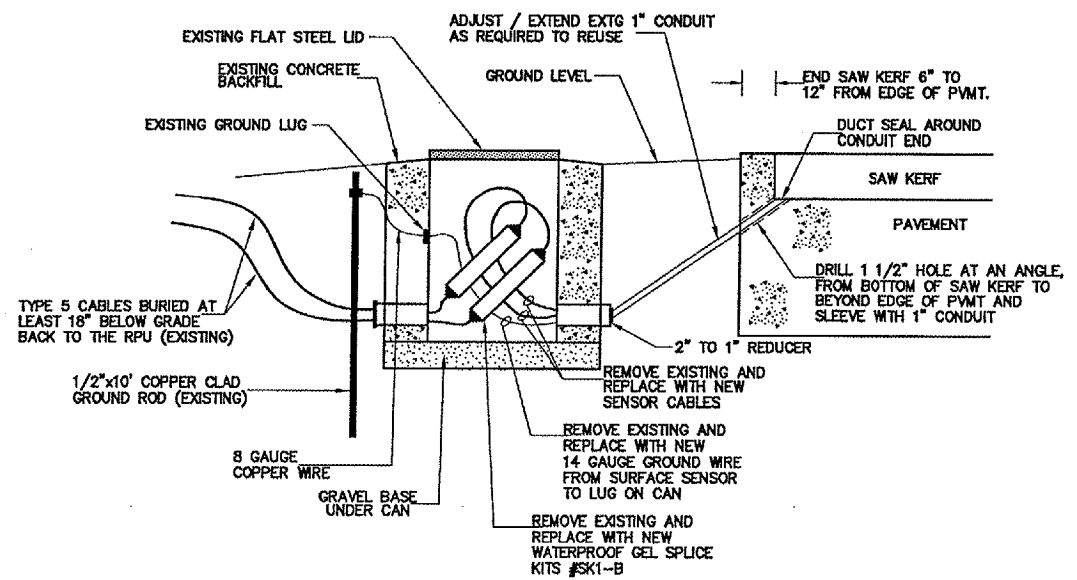
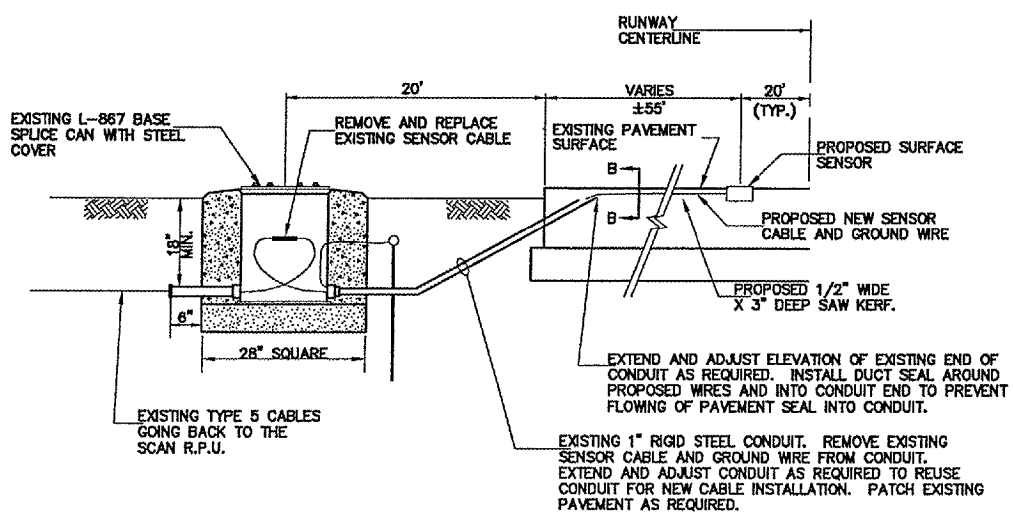
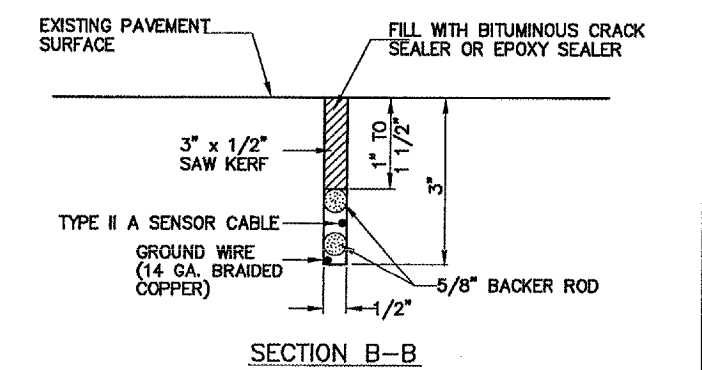
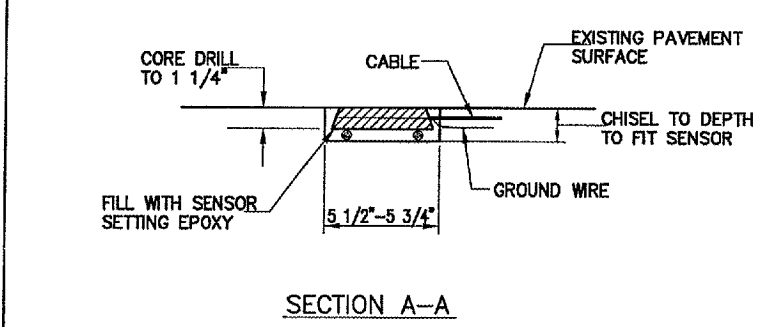
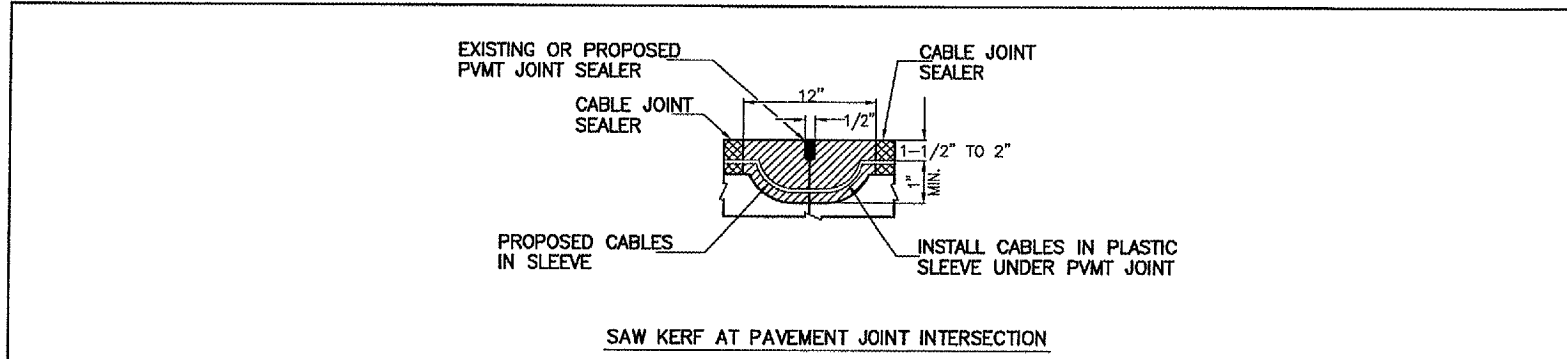


GENERAL NOTES:

- TEMPORARY DITCH CHECKS - TWO BALES HIGH WITH SILT FENCING SHALL BE REQUIRED PER IDOT STANDARD 280001 - TEMPORARY EROSION SITE CONTROL SYSTEM DRAWING. THE CONTRACTOR SHALL BE RESPONSIBLE FOR INSTALLING, MAINTAINING, AND REMOVING DITCH CHECKS, SILT FENCE, AND SEDIMENT TRAPS TO THE SATISFACTION OF THE RESIDENT ENGINEER. THIS INCLUDES, BUT IS NOT LIMITED TO, CLEANING EROSION SOILS AS REQUIRED.
- LOCATION OF THE DITCH CHECKS, SILT FENCES, AND SEDIMENT TRAPS SHOWN ARE APPROXIMATE. ACTUAL LOCATIONS TO BE DETERMINED IN THE FIELD AT THE TIME OF CONSTRUCTION.
- ONCE CONSTRUCTION HAS BEEN COMPLETED, OR TEMPORARILY SUSPENDED FOR LONGER THAN 21 DAYS (SUCH AS A WINTER SHUTDOWN), THE CONTRACTOR SHALL SEED ALL AREAS DISTURBED IN ACCORDANCE WITH ITEM 901510 WITHIN 14 DAYS OF THE LAST DISTURBANCE. THE COST OF ANY TEMPORARY SEEDING SHALL BE INCLUDED IN THE ITEM 156500 - TEMPORARY EROSION CONTROL LUMP SUM PRICE. DITCH CHECKS, SILT FENCES, AND SEDIMENT TRAPS SHALL REMAIN IN PLACE AND BE MAINTAINED UNTIL THE CONTRACTOR ESTABLISHES A GOOD STAND OF GRASS OF UNIFORM COLOR AND DENSITY TO THE SATISFACTION OF THE ENGINEER.
- THE CONTRACTOR AND EACH SUBCONTRACTOR RESPONSIBLE FOR WATER POLLUTION CONTROL SHALL DESIGNATE, PRIOR TO BEGINNING CONSTRUCTION, A PERSON OR PERSONS WHO CAN BE CONTACTED IN AN EMERGENCY INVOLVING THEIR WATER POLLUTION CONTROL ITEMS. THESE DESIGNATED PEOPLE SHALL BE AVAILABLE TO REPAIR AND MAINTAIN WATER POLLUTION CONTROL DEVICES ON A 24-HOUR / 7 DAYS PER WEEK BASIS.
- CONTRACTOR TO EXCAVATE TEMPORARY EROSION CONTROL DRAINAGE SWALE AS REQUIRED TO PREVENT RAIN WATER PONDING AND TO CONTROL STORM WATER RUN-OFF.
- CONTRACTOR SHALL ADHERE TO THE CITY OF MOLINE'S EROSION AND SEDIMENT CONTROL REGULATIONS AND THE ILLINOIS MANUAL ON EROSION AND SEDIMENT CONTROL.
- SEDIMENT AND EROSION CONTROL MEASURES SHALL BE INSTALLED PRIOR TO ANY CONSTRUCTION THAT DISTURBS EXISTING STORM WATER RUN-OFF CONDITIONS AND/OR GROUND VEGETATION.
- EROSION CONTROL MEASURES SHALL BE INSPECTED WEEKLY AND AFTER EACH PRECIPITATION EVENT AND REPLACED OR REPAIRED AS NECESSARY.
- RESIDENT ENGINEER SHALL CHECK THAT ALL FILL AREAS ARE TO A MINIMUM COMPACTION OF 95% OF THE MATERIALS STANDARD PROCTOR MAXIMUM DRY DENSITY.
- SILT FENCE, SEDIMENT TRAPS, AND HAY BALES SHALL BE CLEANED OR REPLACED WHEN SILT BUILDS UP TO WITHIN ONE FOOT OF THE TOP OF THE SILT FENCE OR HAY BALES.
- ADDITIONAL EROSION CONTROL DEVICES SHALL BE USED AS REQUIRED. THE COSTS OF ALL MEASURES NECESSARY TO COMPLY WITH THIS STORM WATER POLLUTION PREVENTION PLAN SHALL BE INCLUDED IN THE ITEM 156500 - TEMPORARY EROSION CONTROL LUMP SUM PRICE.
- SEE SHEET XX FOR STORM WATER MANAGERS SIGNATURE CHART, ANTICIPATED PROBABLE CONSTRUCTION ACTIVITIES SCHEDULE, AND EROSION / SEDIMENT CONTROL MEASURES LIST.

NO.	ITEM DESCRIPTION	WEEK															
		1	2	3	4	5	6	7	8	9	10	11	12	13	14	15	16
1	INSTALL SEDIMENT/EROSION CONTROLS	█															
2	CLEARING AND GRADING		█														
3	EXCAVATION AND EMBANKMENT			█													
4	TURFING				█												
5	MAINTAIN SEDIMENT/EROSION CONTROL					█											
6	PAVING						█										
7	CLEAN-UP															█	

STORM WATER MANAGERS					
	NAME	ADDRESS	TELEPHONE NUMBER		SIGNATURE
			WORK	HOME	
CONTRACTOR					
SUBCONTRACTOR					
SUBCONTRACTOR					



PROPOSED SURFACE SENSOR AND SENSOR CABLE
 INSTALLATION PROFILE VIEW, STA. 75+00 LEFT

SPlice CAN DETAILS

TYPICAL SENSOR HEAD AND
 CABLE INSTALLATION DETAIL