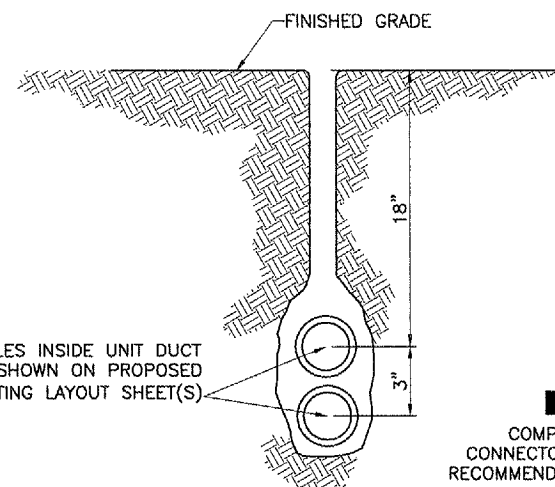
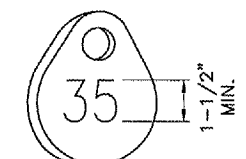


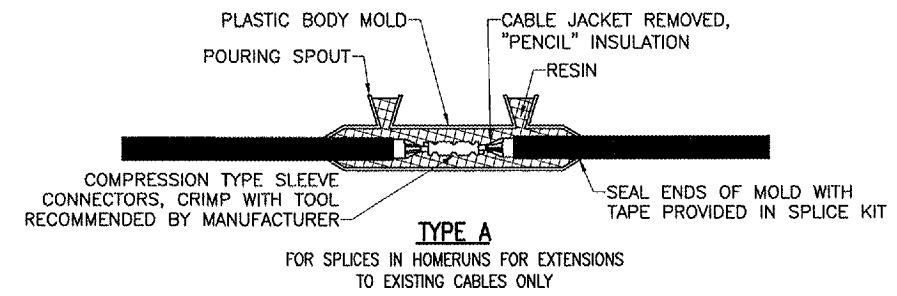
NOTES:
 DETAIL NUMBERS INDICATE NO. OF CABLES.
 TRENCHES WITH MORE THAN SEVEN CABLES SHALL BE INCREASED 3" IN WIDTH FOR EACH ADDITIONAL CABLE; IF SPECIFIED ON PLANS TWO PARALLEL TRENCHES MAY BE CONSTRUCTED.
 DEPTH OF TRENCHES SHALL BE AS SHOWN ABOVE UNLESS OTHERWISE SPECIFIED ON THE PLANS.
 ALL DISTURBED SURFACES SHALL BE RESTORED TO THEIR ORIGINAL CONDITION. COST IS INCIDENTAL TO TRENCH.



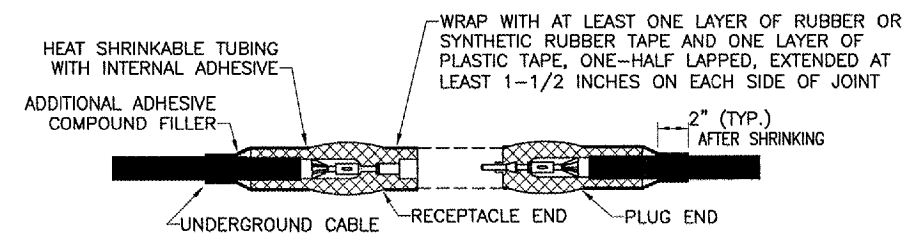
PLOWED CABLE
(NOT TO SCALE)



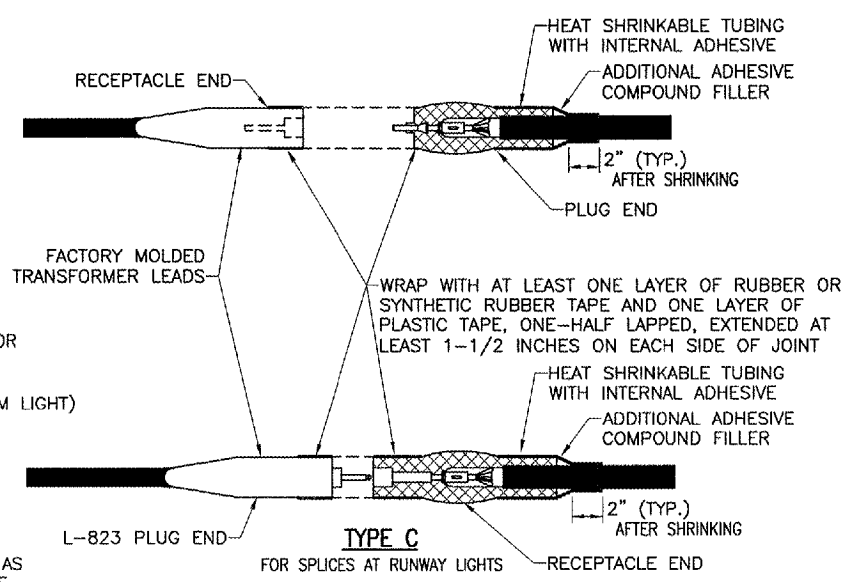
TAG DETAIL
(NOT TO SCALE)



TYPE A



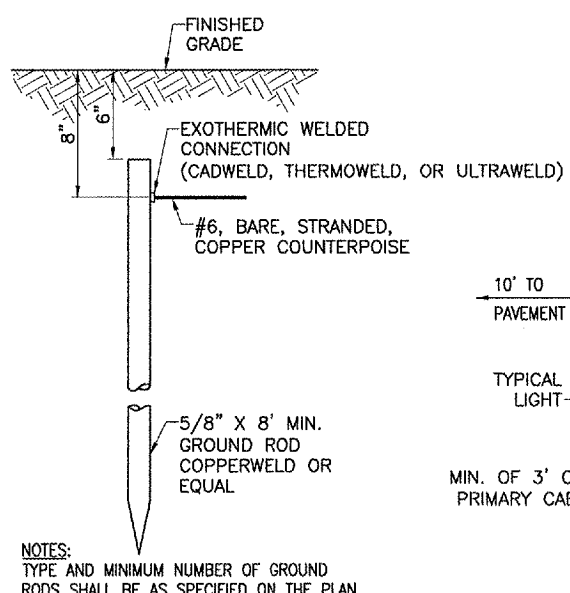
TYPE B



TYPE C

NOTES:
 SEE PROPOSED LIGHTING LAYOUT SHEET(S) FOR SPLICE TYPE.
 INSIDE DIAMETER OF CONNECTOR SHALL PROPERLY MATCH THE OUTSIDE DIAMETER OF CABLE.

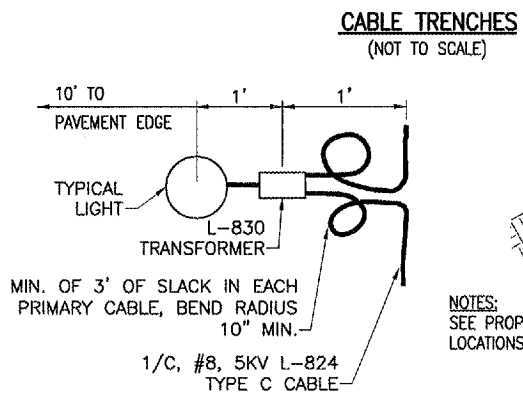
CABLE SPLICES



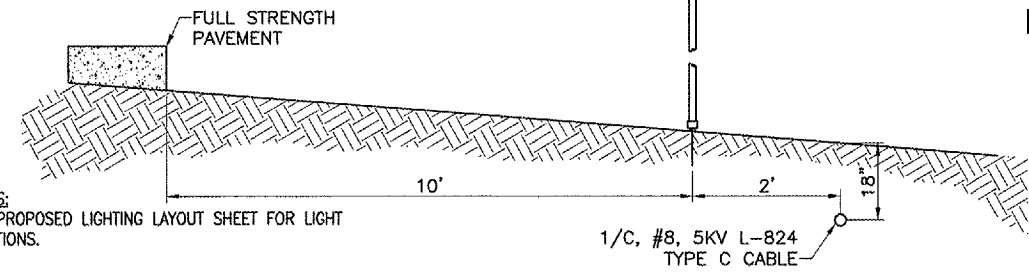
NOTES:
 TYPE AND MINIMUM NUMBER OF GROUND RODS SHALL BE AS SPECIFIED ON THE PLAN.
 THE RESISTANCE TO GROUND OF THE COUNTERPOISE GROUNDING SYSTEM SHALL NOT EXCEED 25 OHMS.

COST OF GROUND RODS IS INCIDENTAL TO THE ASSOCIATED ITEMS REQUIRING GROUNDING UNLESS OTHERWISE SPECIFIED.

GROUND ROD
(NOT TO SCALE)

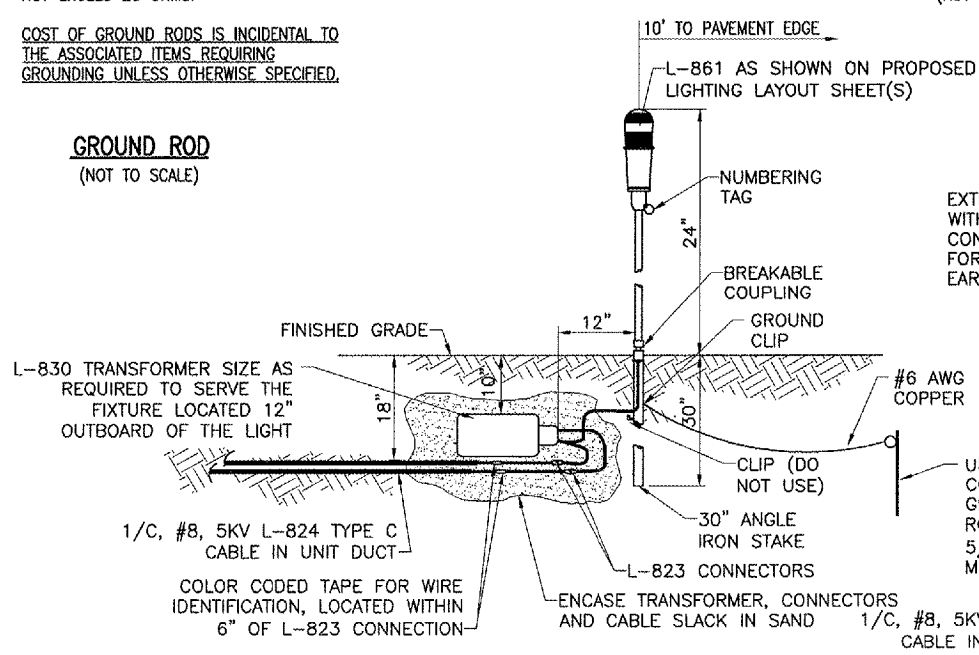


PLAN VIEW

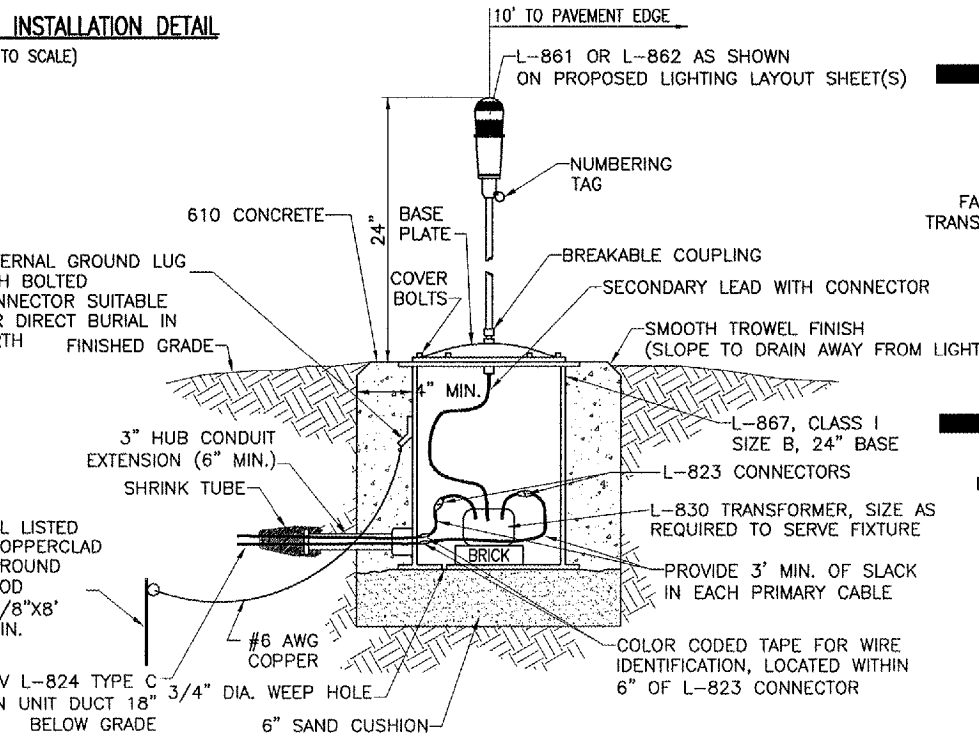


PROFILE VIEW

LIGHT AND CABLE INSTALLATION DETAIL
(NOT TO SCALE)



MEDIUM INTENSITY LIGHT - STAKE MOUNTED
(NOT TO SCALE)



MEDIUM/HIGH INTENSITY LIGHT - BASE MOUNTED
(NOT TO SCALE)

BY	
REVISION	
DATE	

SAINT LOUIS DOWNTOWN AIRPORT
 A Division of St. Louis Development Agency
 I.L. PROJ.: 3-17-0639-B17
 I.L. PROJ.: 05-3664

Project No.	84507TXD_0800
Revision	R-542ELLE.DWG
Scale	N/A
Date	01/16/07
LAYOUT	JAC 01/16/07
DRAWN	MDR 01/16/07
REVIEWED	CAH 01/26/07

HANSON
 Hanson Professional Services Inc.
 4227 Earth City Expressway, Suite 130
 St. Louis, MO 63145-1308
 Offices Nationwide

CONSTRUCT TAXIWAY "A4"
 PROPOSED ELECTRICAL DETAILS

APR 18, 2007 1:44 PM BAK
 L:\AIRPORTS\ST. LOUIS DOWNTOWN\84507TXD\AIRPORT SHEETS\R-542ELLE.DWG - ELECTRICAL DETAILS