

Revisions

Date	Description

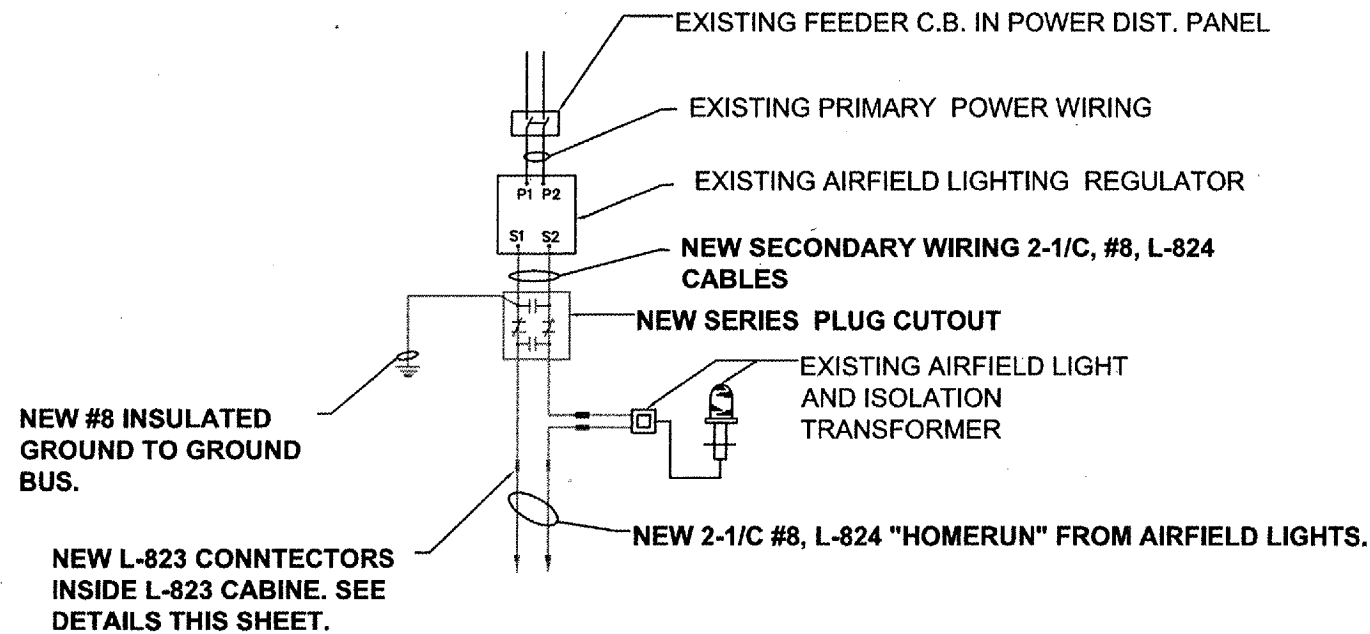
1
THIS BAR IS EQUAL TO 1" AT FULL SCALE (17 X 11).

DESIGN BY:	CMT- RFD
DRAWN BY:	CMT- RFD
CHECKED BY:	CMT- RFD
APPROVED BY:	
DATE:	4.20.2007
JOB No:	06292-03-00

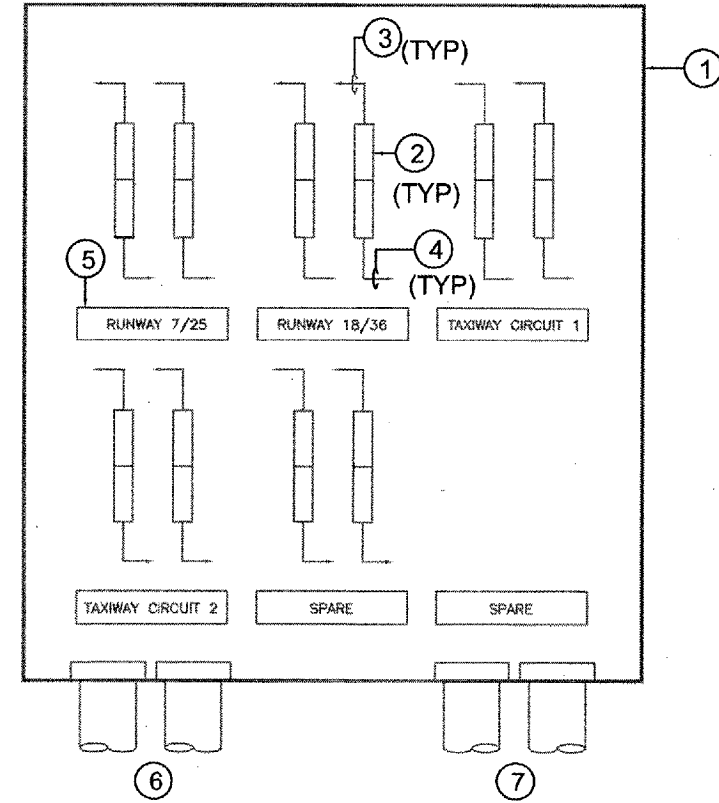
VAULT MODIFICATIONS DETAILS 1 (VMD1)

NOTES:

1. INSTALL L-823 CABINET ABOVE EXISTING HIGH VOLTAGE WIREWAY, 5'-0" AFF. EQUIPMENT PANEL SHALL BE MOUNTED ON INSULATED BUSHINGS RATED FOR 5KV.
1. LABEL "HIGH VOLTAGE" ON OUTSIDE OF THE CABINET.
2. L-823 CONNECTORS SHALL BE INSTALLED ON CABLE CLAMPS RAIL.
3. TAG AIRFIELD AND REGULATOR SIDES OF EACH CIRCUIT WITH CIRCUIT DESIGNATIONS.



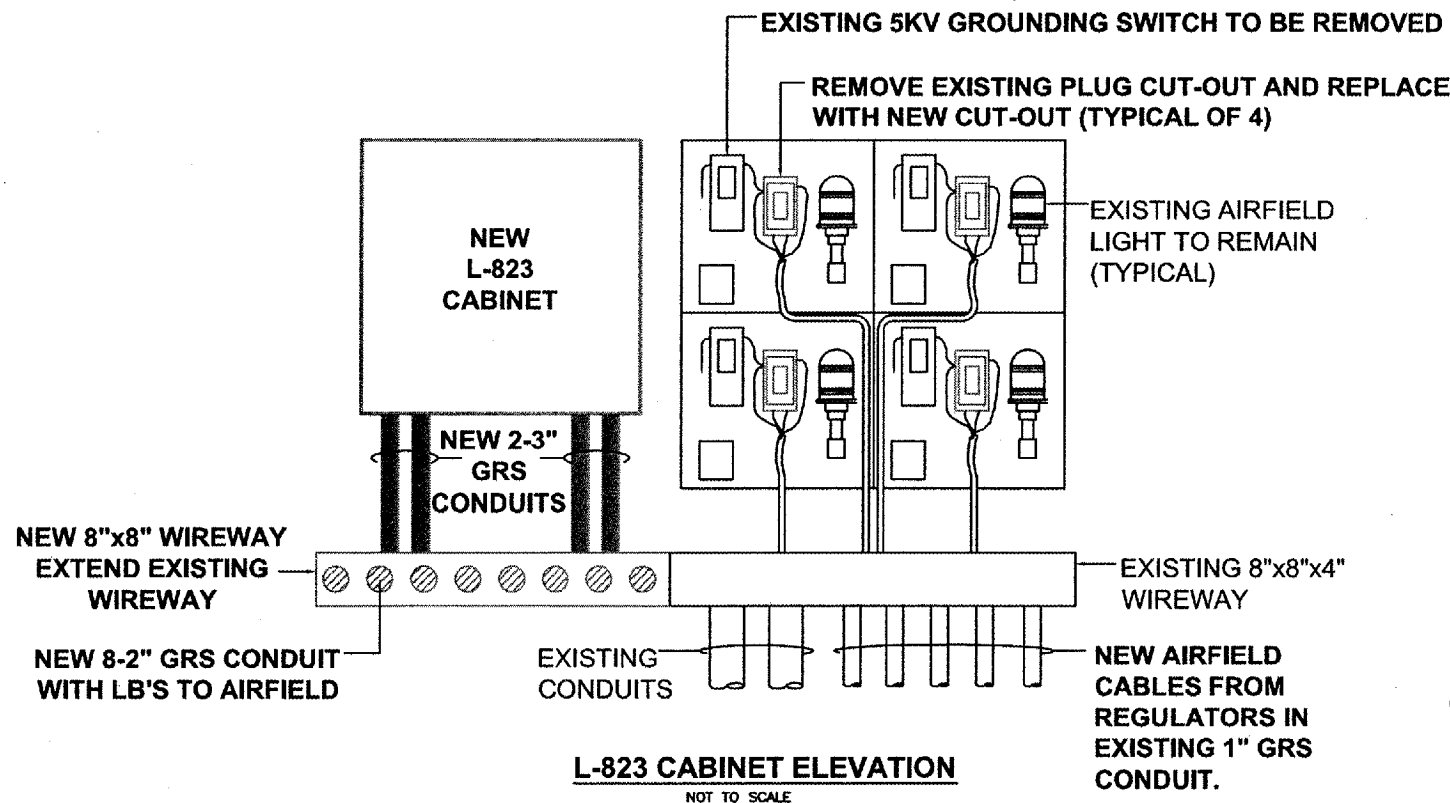
REGULATOR POWER WIRING LAYOUT
NOT TO SCALE



L-823 CABINET DETAIL
NOT TO SCALE

NOMENCLATURE

- ① 36"H x 30"W x 12"D (MINIMUM) HINGED, LOCKABLE ENCLOSURE WITH BACK MOUNTING PANEL, HOFFMAN A-36N30ALP OR APPROVED EQUAL. SEE NOTE 1.
- ② L-823 CONNECTORS (MALE AND FEMALE). SEE NOTE 3.
- ③ 1/C #8 5KV, L-824 TYPE C CABLE TO AIRFIELD.
- ④ 1/C #8 5KV, L-824 TYPE C CABLE TO S-1 CUTOUT.
- ⑤ ENGRAVED LABEL (BLACK ON GRAY) 1-1/2"H x 6"W (MINIMUM).
- ⑥ 2-3" GRS CONDUITS TO HIGH VOLTAGE WIREWAY WITH 10-1/C #8 5KV, L-824 TYPE C CABLES TO AIRFIELD.
- ⑦ 2-3" GRS CONDUITS TO HIGH VOLTAGE WIREWAY WITH 10-1/C #8 5KV, L-824 TYPE C CABLES TO S-1 CUTOUT.



L-823 CABINET ELEVATION
NOT TO SCALE