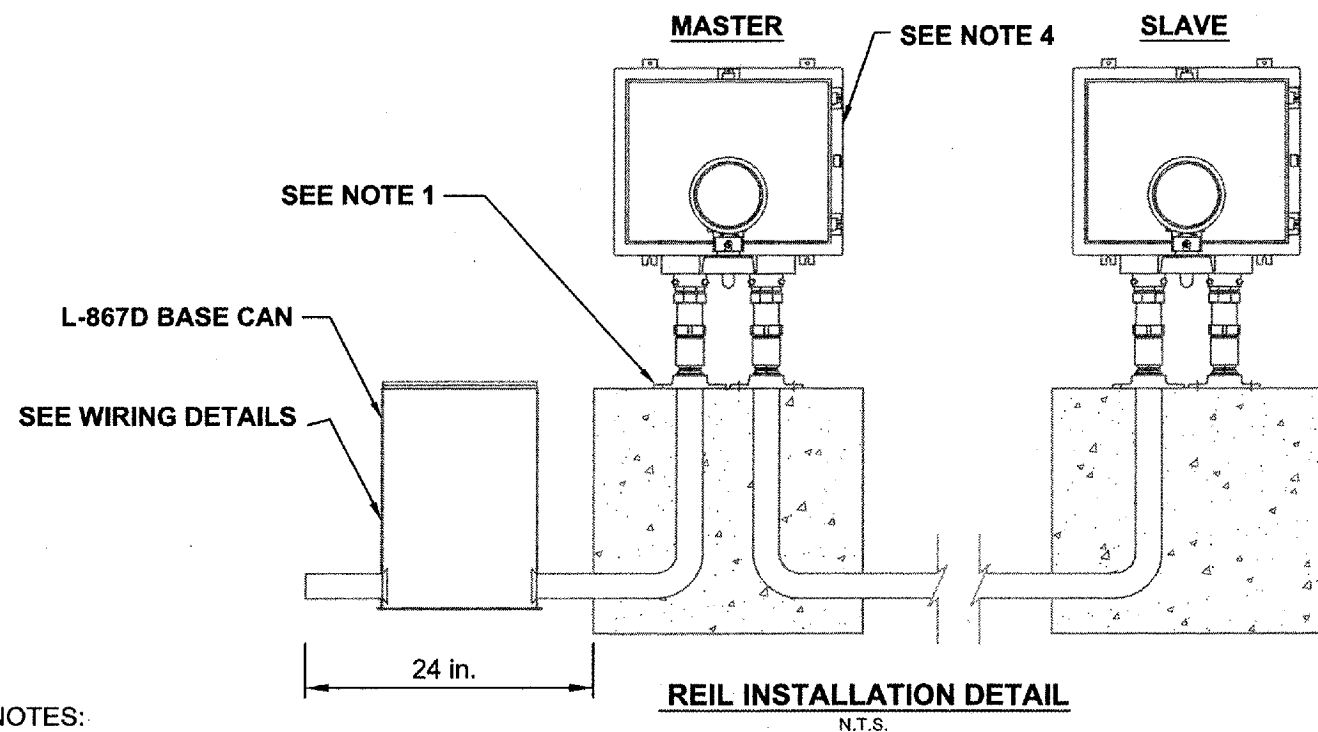
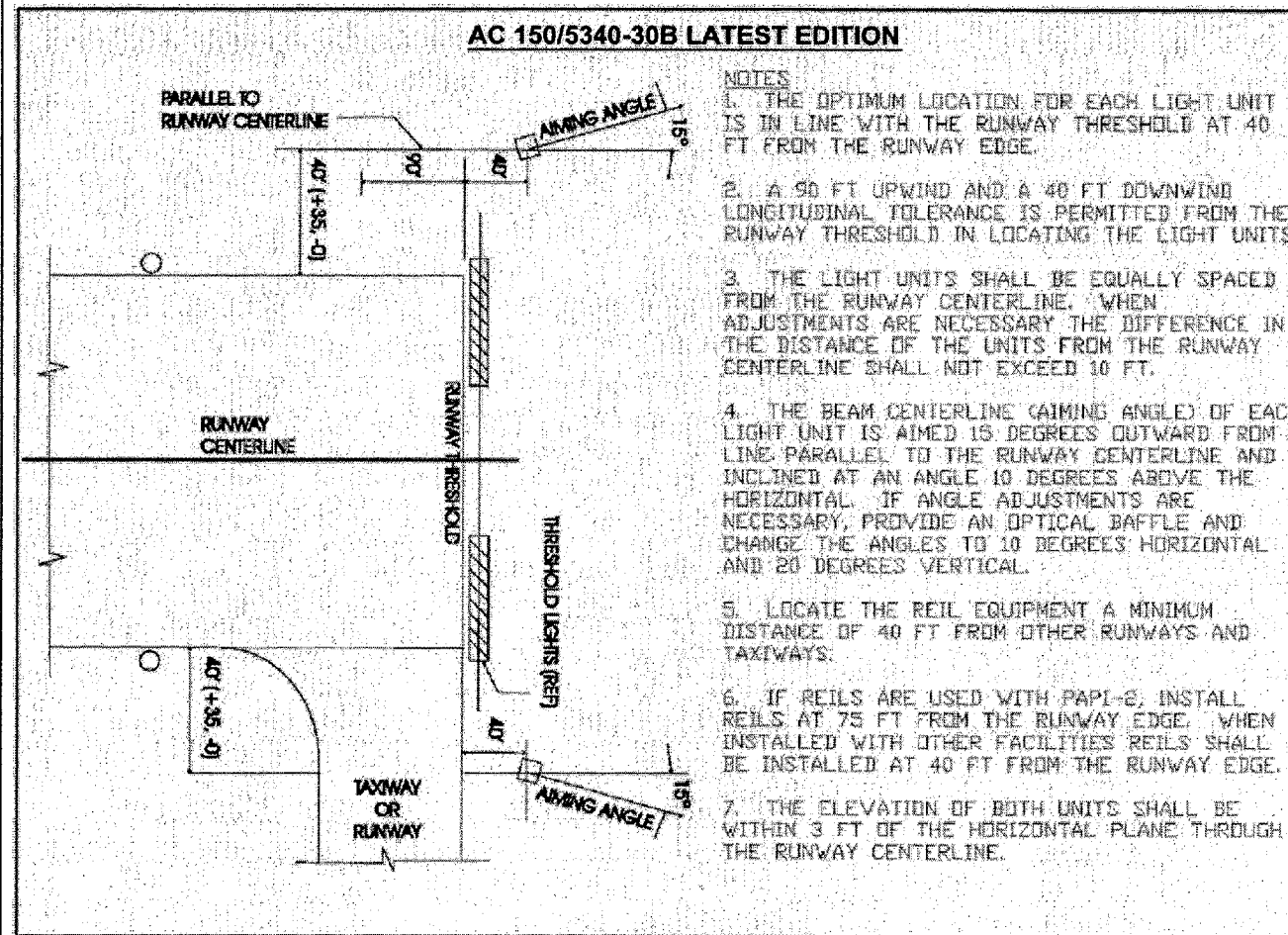
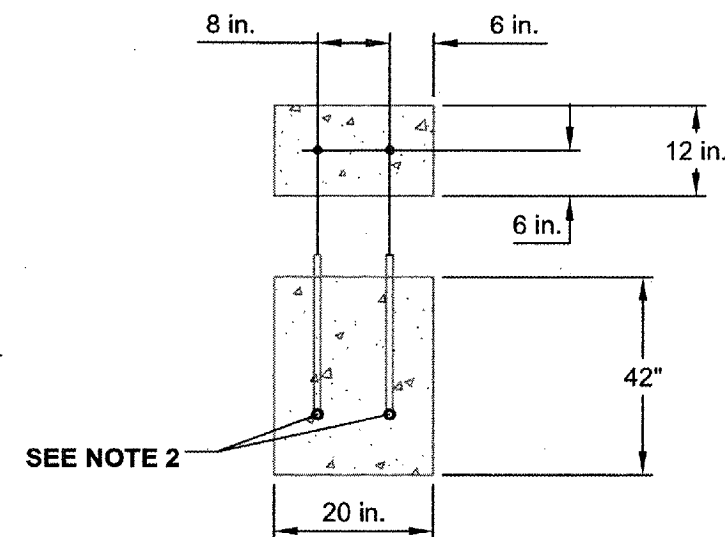
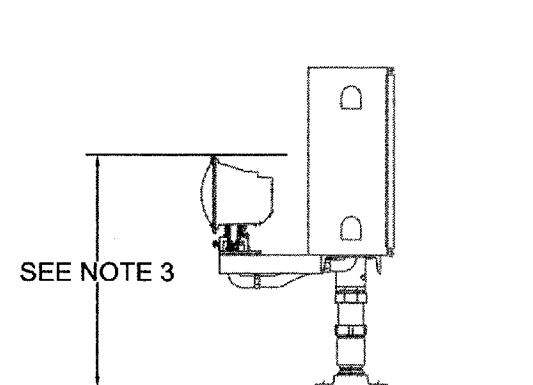


**POWER ADAPTER WIRING CONNECTION  
FOR L-849 REIL**



NOTES:

1. BASE FLANGES SHALL BE USED.
2. 2 INCH ELBOW FOR EXTERNAL WIRES.
3. THE OVERALL HEIGHT OF THE OPTICAL ASSEMBLY SHALL NOT EXCEED 34 INCHES.
4. SIEMENS AIRFIELD SOLUTIONS PART 44D1161/XX OR APPROVED EQUAL.



**CABINET MOUNTING DETAIL**  
N.T.S.

**ADD. ALT. NO. 1**

**REIL INSTALL. DETAILS -  
RWYS 18 / 36**

WH006



CRAWFORD, MURPHY & TILLY, INC.  
CONSULTING ENGINEERS

Whiteside County **AIRPORT**  
JOSEPH H. BITTORF FIELD

**Whiteside County  
Airport**

**Sterling / Rock Falls,  
Illinois**

**Whiteside County  
Airport**

**AIP: 3-17-0098-XX  
SQI-3694**

**Recable Airfield**

**FINAL  
SUBMITTAL**

Revisions

Date	Description

0 1  
THIS BAR IS EQUAL TO 1"  
AT FULL SCALE (17 X 11).

DESIGN BY: CMT-RFD

DRAWN BY: CMT-RFD

CHECKED BY: CMT-RFD

APPROVED BY: JGP

DATE: 4.20.2007

JOB No: 06292-03-00

**REIL INSTALL.  
DETAILS -  
RWYS 18 / 36  
(RID-1)**

25

SHEET 25 OF 25 SHEETS