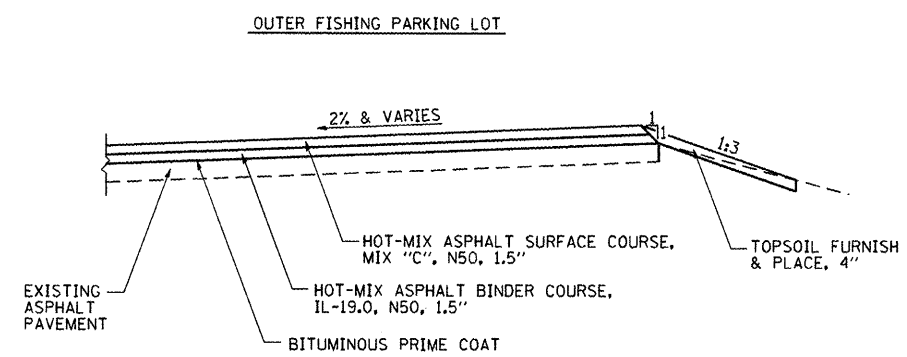
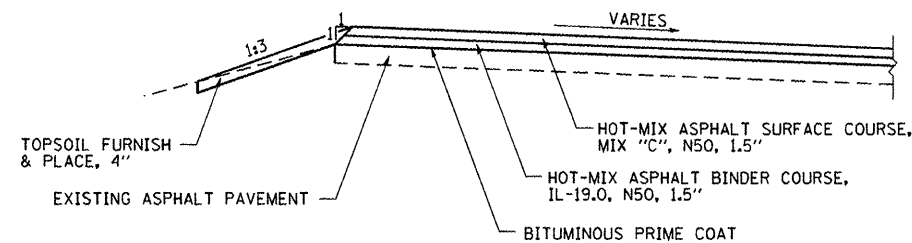


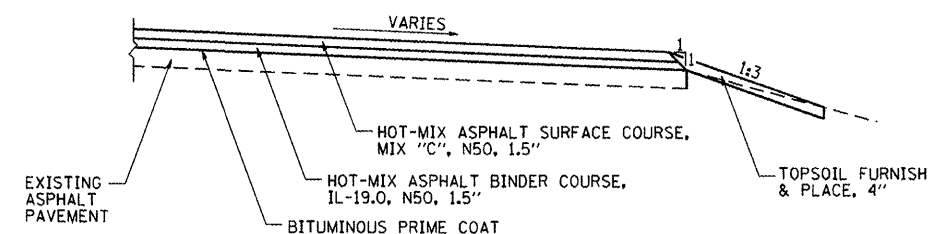
SECTION A-A
(SEE SITE PLAN)



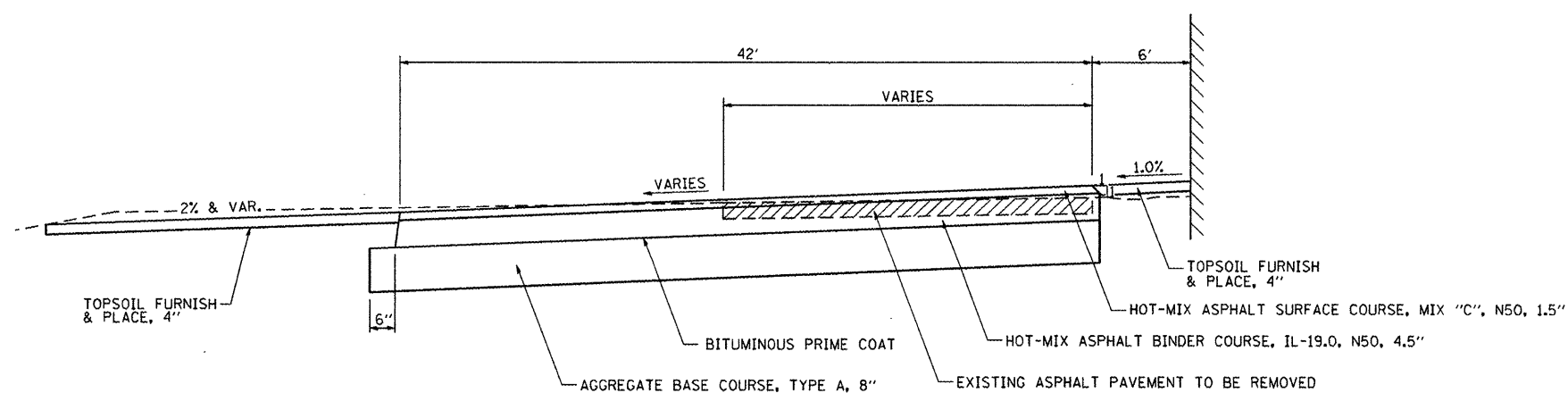
SECTION A-A
(SEE SITE PLAN)



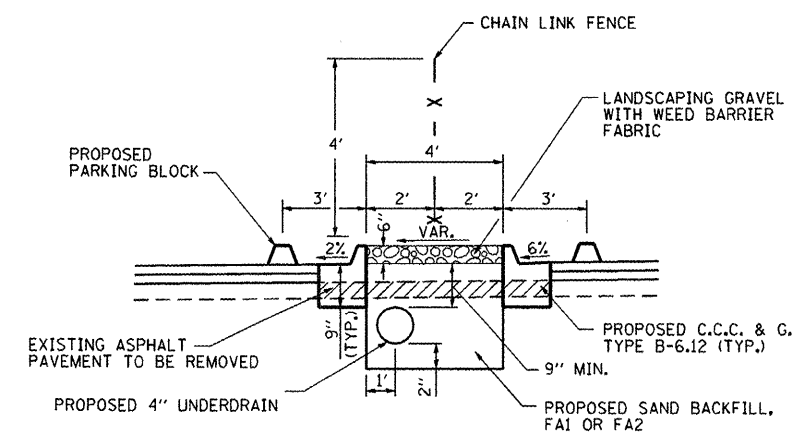
SECTION B-B
(SEE SITE PLAN)



SECTION B-B
(SEE SITE PLAN)



SECTION C-C
(SEE SITE PLAN)



SECTION THRU MEDIAN
(LOOKING WEST)

FILE NAME =	USER NAME = Kristin Timmons	DESIGNED - KLT	REVISED -
L:\IDOT\1106610\WG_2\Draw\CAADD_Sheets\065_TYP_SEC.dgn		DRAWN - GLD	REVISED -
		CHECKED - SPH	REVISED -
		DATE - 4/6/2012	REVISED -

STATE OF ILLINOIS
DEPARTMENT OF TRANSPORTATION

TYPICAL SECTIONS & PAVEMENT STRUCTURE DETAILS
IDNR REGION III OFFICE - CLINTON

SCALE: N.T.S. SHEET NO. 5 OF 13 SHEETS STA. TO STA.

F.A. RTE.	SECTION	COUNTY	TOTAL SHEETS	SHEET NO.
N/A	PARK ROADS	DEWITT	13	5
CONTRACT NO. 46210			ILLINOIS FED. AID PROJECT	