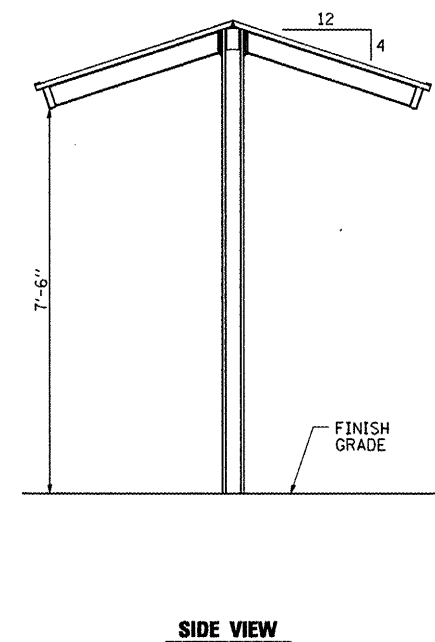
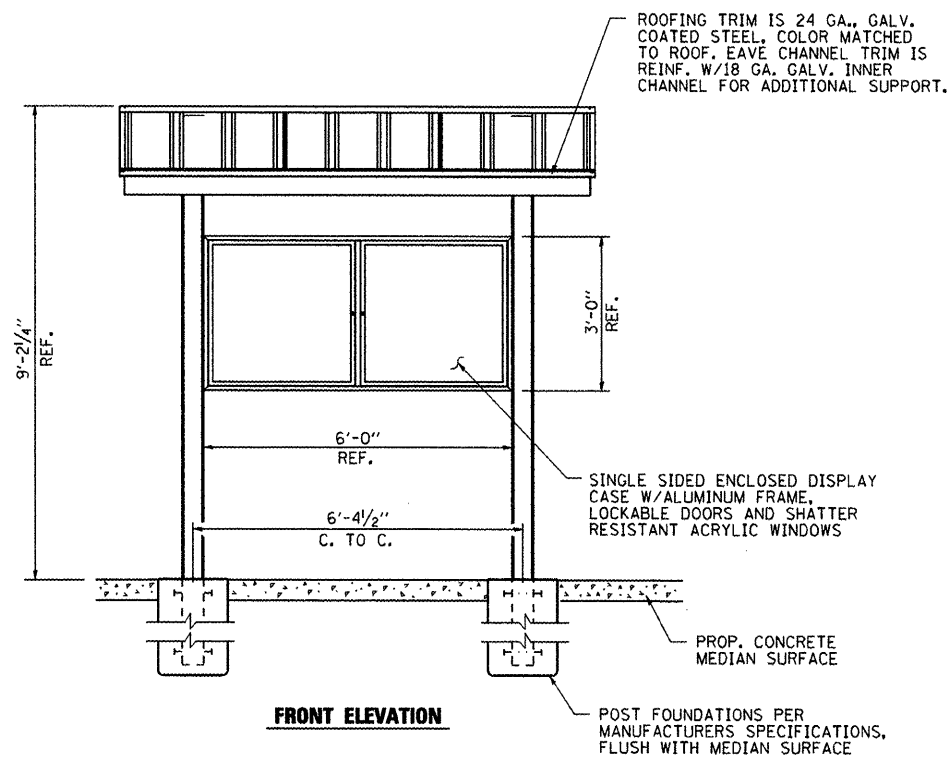
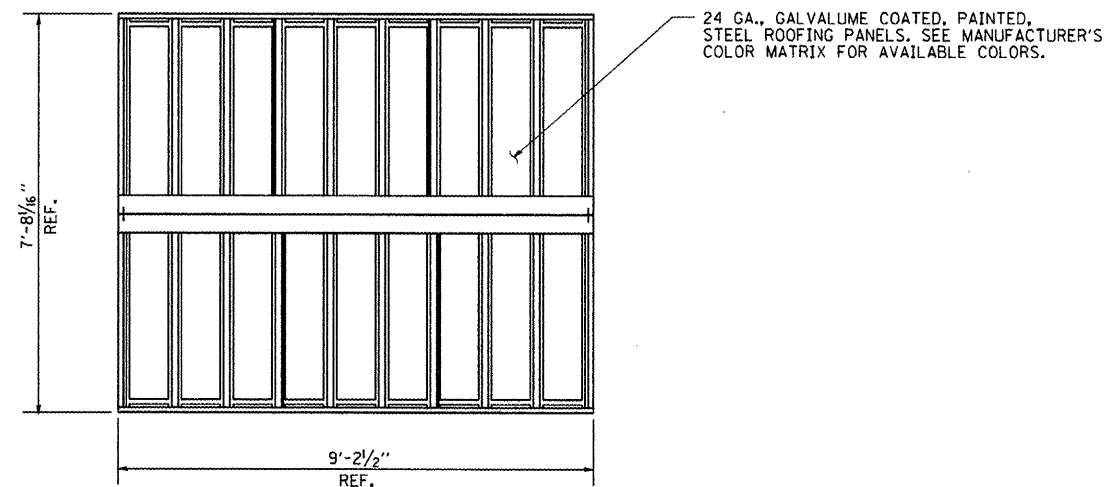


TABULATION

DIAMETER OF PIPE	CL SI CONC CU YDS EST
12"	0.32

THE CONCRETE COLLAR SHALL BE PAID FOR AT THE CONTRACT UNIT PRICE PER CUBIC YARD FOR CONCRETE COLLAR, AS SHOWN ON THE PLANS.
CLASS SI CONCRETE SHALL BE USED THROUGHOUT.



INFORMATION KIOSK / SUN SHELTER DETAILS
N.T.S.

FILE NAME = I:\dots\1106610\wo_2\draw\cadd\sheet\002_MISC_CONST.DTL.S.dgn	USER NAME = Kristin Timmons	DESIGNED - KLT	REVISED -
PLOT SCALE = 40.0000 "/ IN.	CHECKED - SPH	DRAWN - GLD	REVISED -
PLOT DATE = 4/6/2012	DATE - 4/6/2012		REVISED -

STATE OF ILLINOIS
DEPARTMENT OF TRANSPORTATION

MISCELLANEOUS CONSTRUCTION DETAILS			
IDNR REGION III OFFICE - CLINTON			
SCALE: N.T.S.	SHEET NO. 12 OF 13 SHEETS	STA.	TO STA.

F.A. RTE.	SECTION	COUNTY	TOTAL SHEETS	SHEET NO.
N/A	PARK ROADS	DEWITT	13	13
CONTRACT NO. 46210				
ILLINOIS FED. AID PROJECT				