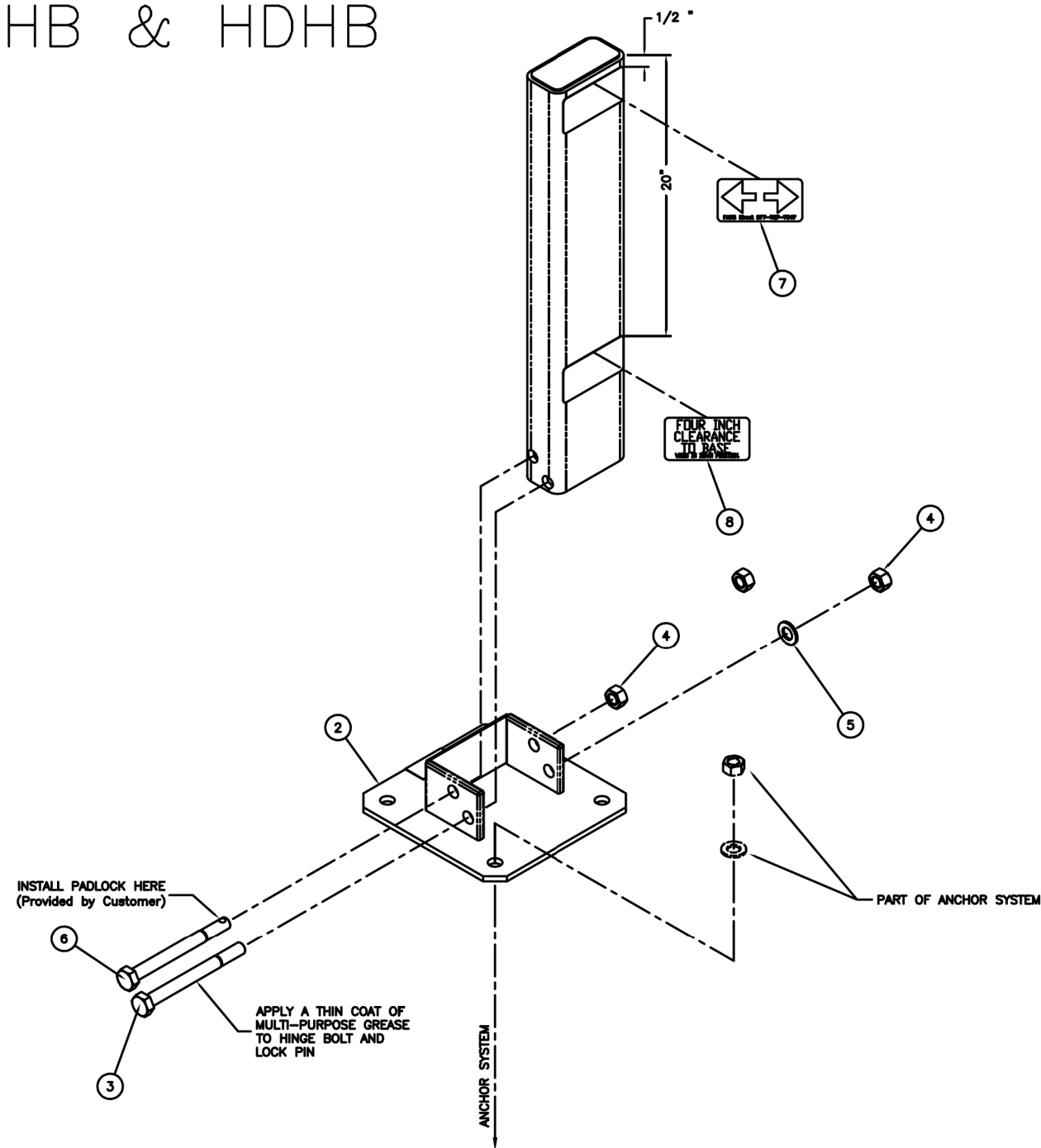
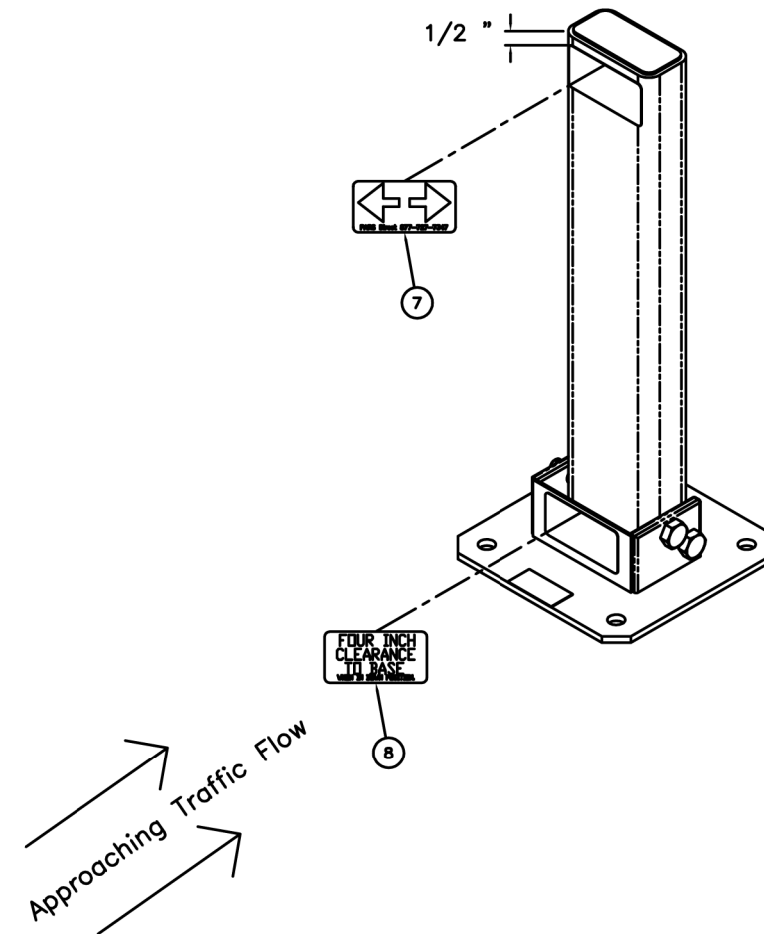


# LPHDHB & HDHB



BILL OF MATERIAL			
ITEM	PART #	DESCRIPTION	QTY.
1	LPHDHB1	LPHDHB POST	1
2	LPHDHB2	LPHDHB BASE	1
3	0010	#3/4" x 8" HEX HEAD HINGE BOLT - 18-8 SS	1
4	0008	#3/4" HEX NUT - 18-8 SS	2
5	0009	#3/4" FLAT WASHER - TYPE A NARROW - 18-8 SS	1
6	2007	#3/4" X 8" HEX HEAD LOCKING PIN - 18-8 SS	1
7	0104	WARNING ARROWS LABEL	2
8	0102	FOUR INCH CLEARANCE LABEL	2



<b>LOW PROFILE HEAVY DUTY HINGED BOLLARD</b>		<b>TrafficGuard</b> P.O. Box 201, Geneva, IL 60134 Toll Free: 877-727-7347 Fax: 800-814-7194	
<b>ASSEMBLY DRAWING</b>		Do not scale from drawing	
ZABEL ENGINEERING CONSULTING ENGINEERS 208 South Riverside Av., Aurora, IL 60009 Tel: 800-800-0888 Fax: 800-800-1087	Action by Design WKZ Draw GJD Rev. by Date Description	SIZE Assembly Shipping Weight D 70.64 Pounds Drawing Number: LPHDHB2	Scale: 3"=1' Drawing Date: 9-25-2002 Sheet: 2 of 2 Drawing dimension = 34" x 22"

FILE NAME =	USER NAME = akw	DESIGNED M.C.C.D.	REVISED -
...\\D160F72-sht-details-51-MCCD-03.dgn		DRAWN	REVISED -
		CHECKED	REVISED -
		DATE -	REVISED -

**STATE OF ILLINOIS  
DEPARTMENT OF TRANSPORTATION**

McHENRY COUNTY CONSERVATION DISTRICT	
SCALE: NONE	SHEET NO. 3 OF 4 SHEETS STA. TO STA.

O.R. RTE.	SECTION	COUNTY	TOTAL SHEETS	SHEET NO.
0003	18A-2	MCHEMRY	825	396
CONTRACT NO. 60F72				
FED. ROAD DIST. NO. 1 ILLINOIS FED. AID PROJECT				