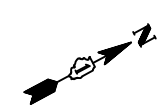
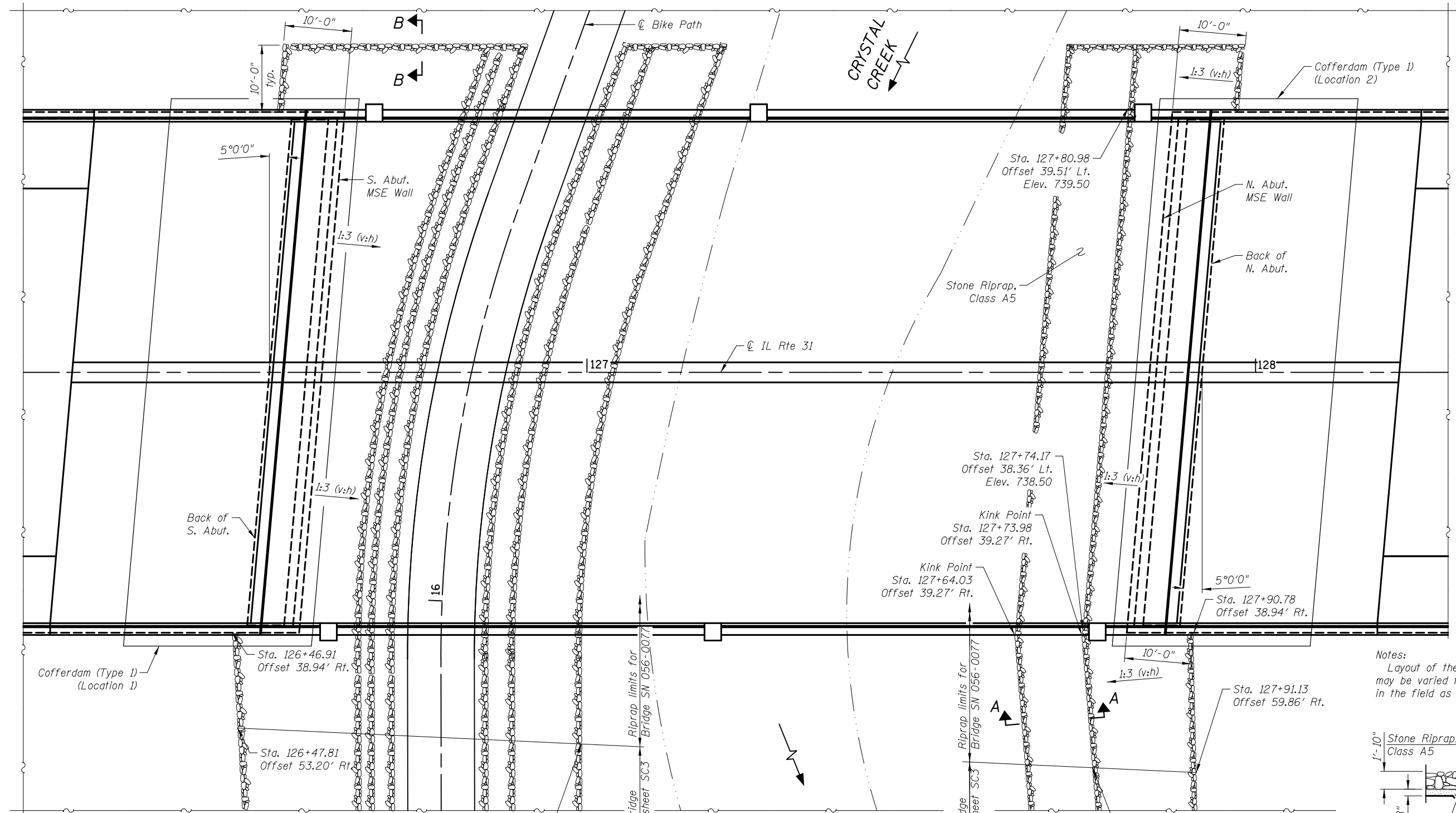
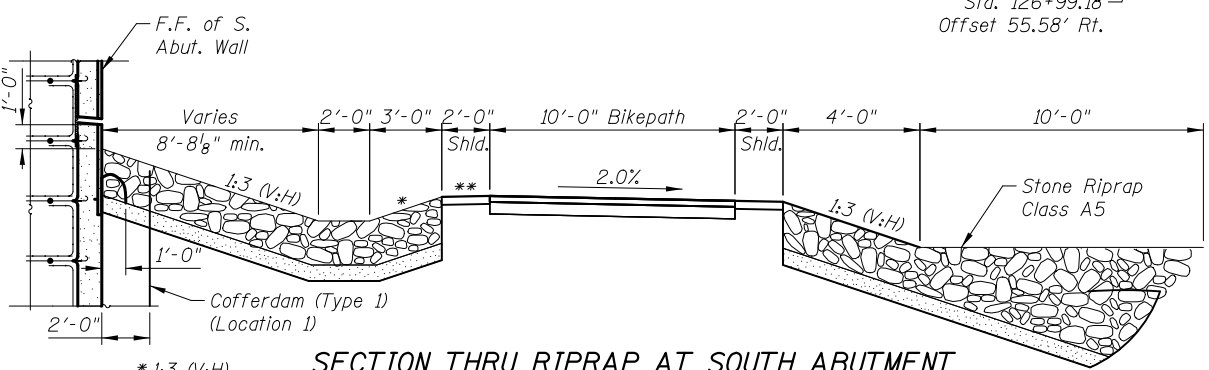


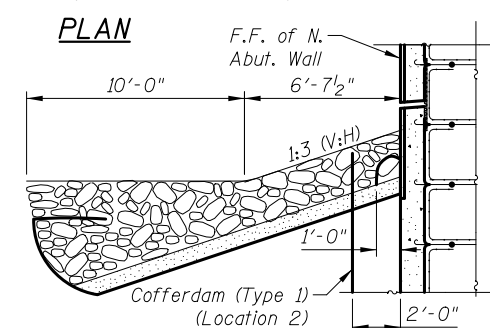
4/26/14 cad sheet Roadway\20-Structures & Walls\01.SN 056-0077\0560077-60F72-03-RRD.dgn
 4/16/13 PM
 5/2/2012



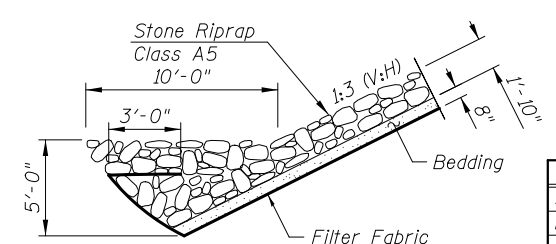
Notes:
 Layout of the slope protection system may be varied to suit ground conditions in the field as directed by the Engineer.



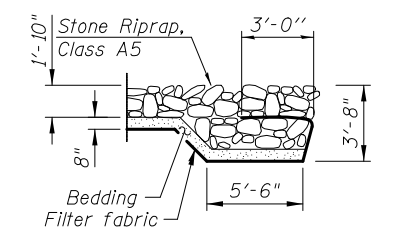
SECTION THRU RIPRAP AT SOUTH ABUTMENT
 Dimensions and slopes measured at Rt. L's to the Bikepath
 See Section A-A for balance of information



SECTION THRU RIPRAP AT NORTH ABUTMENT
 Dimensions and slopes measured at Rt. L's to Abutment



SECTION A-A



SECTION B-B

Bedding to be included in the cost of Stone Riprap, Class A5.

BILL OF MATERIAL

Item	Unit	Total
Stone Riprap, Class A5	Sq. Yd.	646
Filter Fabric	Sq. Yd.	646
Cofferdam Excavation	Cu. Yd.	970
Cofferdam (Type 1) (Location 1)	Each	1
Cofferdam (Type 1) (Location 2)	Each	1

CIVILTECH
 450 E Devon Ave, Suite 300
 Itasca, Illinois 60143
 Tel: 630.773.3900 Fax: 630.773.3975
 www.civiltechinc.com

DRAWN - M. LANGE	REVISED -
DESIGNED - D. ATKINS	REVISED -
CHECKED - G. HATLESTAD	REVISED -
DATE - 5/3/2012	REVISED -

STATE OF ILLINOIS
DEPARTMENT OF TRANSPORTATION

RIPRAP DETAILS
ILLINOIS ROUTE 31 OVER CRYSTAL CREEK
STRUCTURE NO. 056-0077
 SHEET NO. SA3 OF SA33 SHEETS

O.R. RTE.	SECTION	COUNTY	TOTAL SHEETS	SHEET NO.
0003	18A-2	MCHENRY	825	463

CONTRACT NO. 60F72
 ILLINOIS FED. AID PROJECT