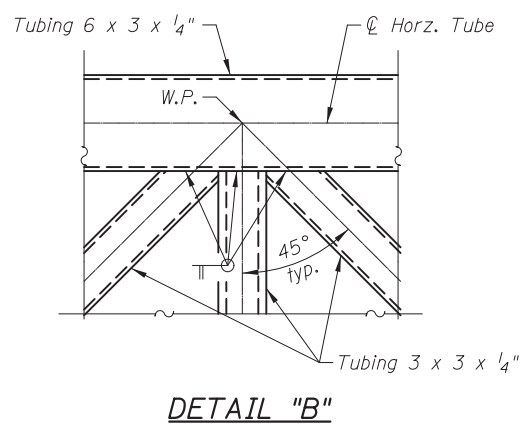
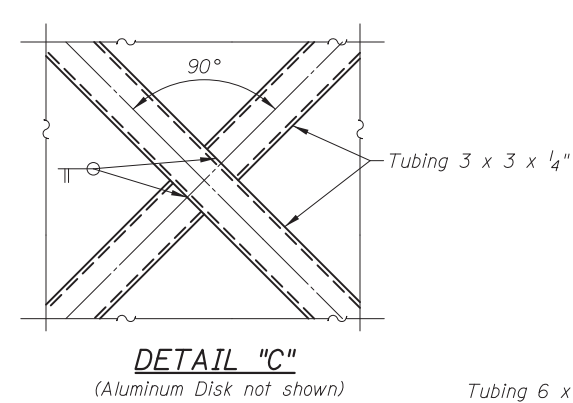


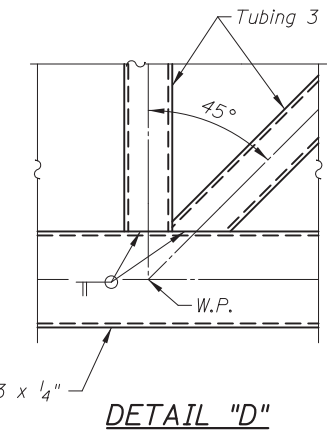
**HORIZONTAL BAR SPLICE**



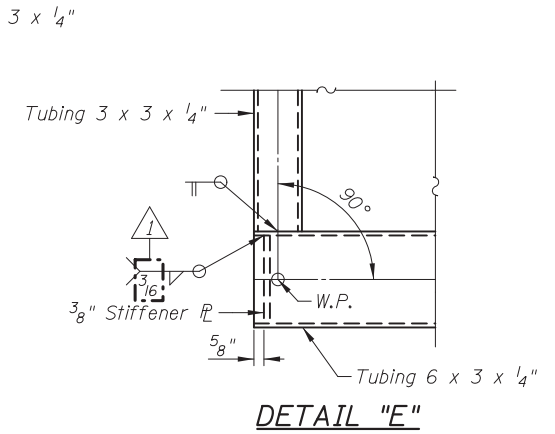
**DETAIL "B"**



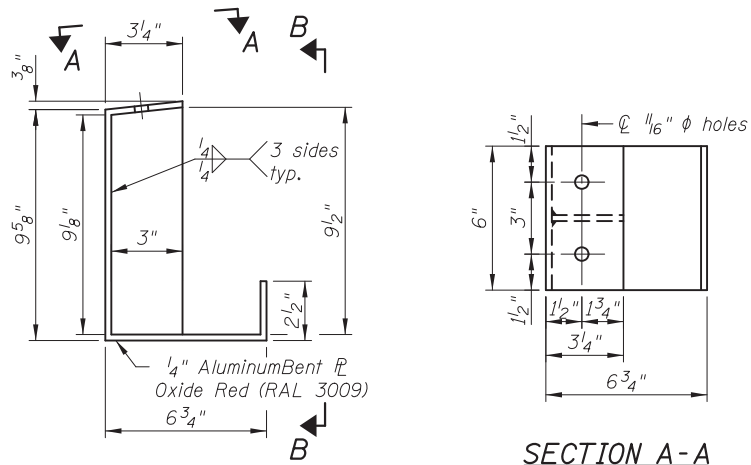
**DETAIL "C"**  
(Aluminum Disk not shown)



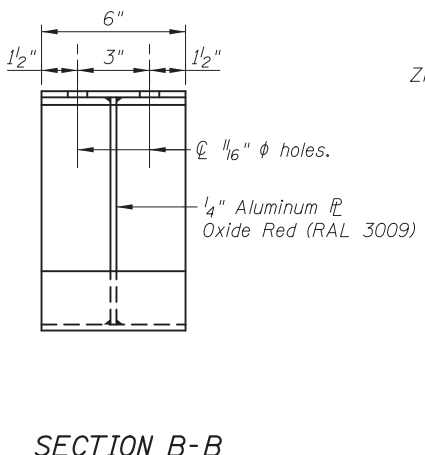
**DETAIL "D"**



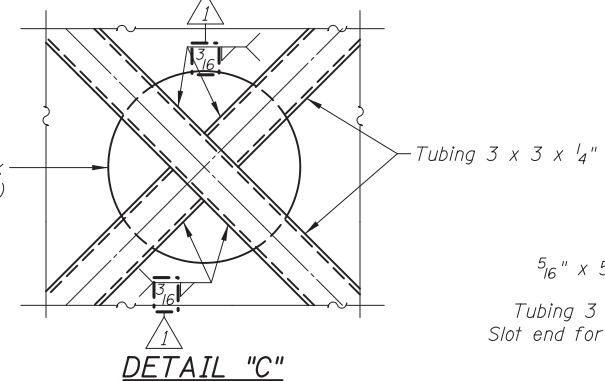
**DETAIL "E"**



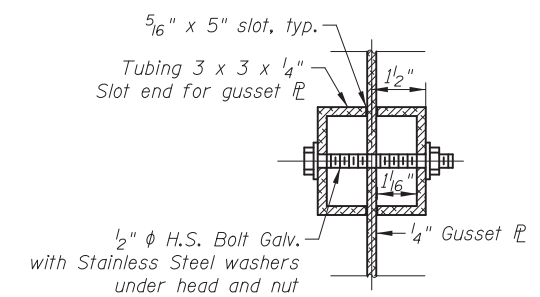
**HANGER DETAIL**



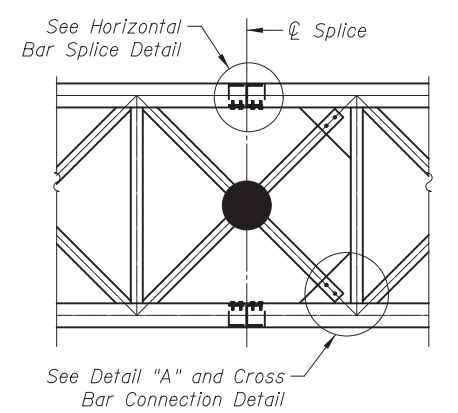
**SECTION B-B**



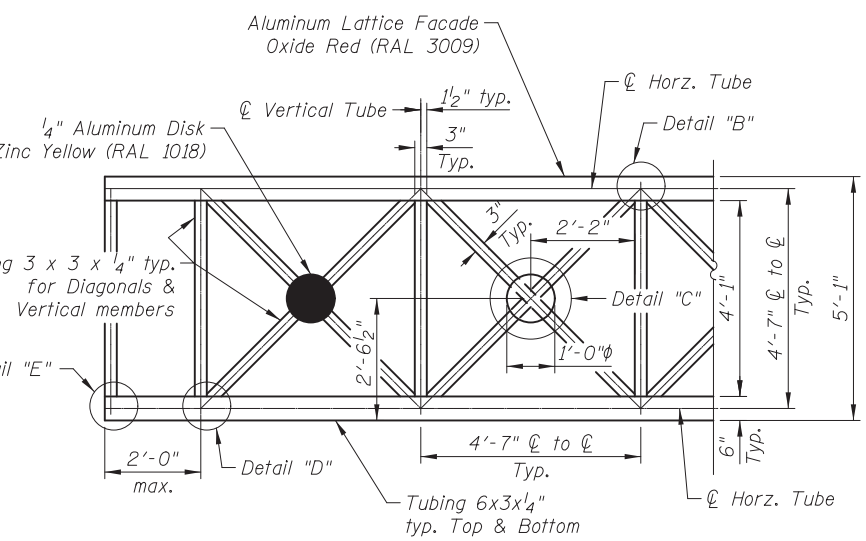
**DETAIL "C"**



**CROSS BAR CONNECTION**

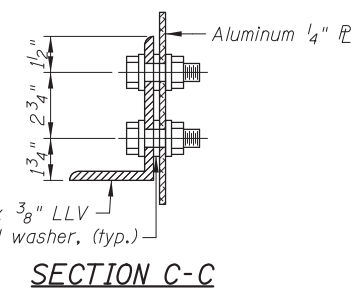


**LATTICE SPLICE**

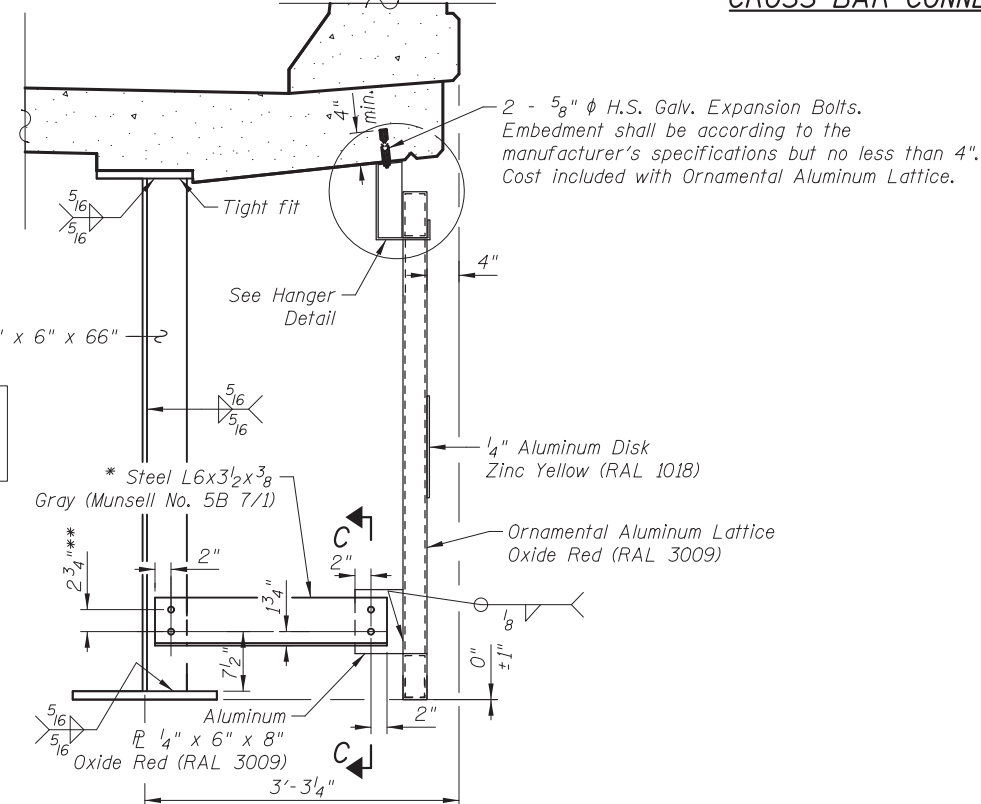


**ALUMINUM LATTICE ELEVATION**

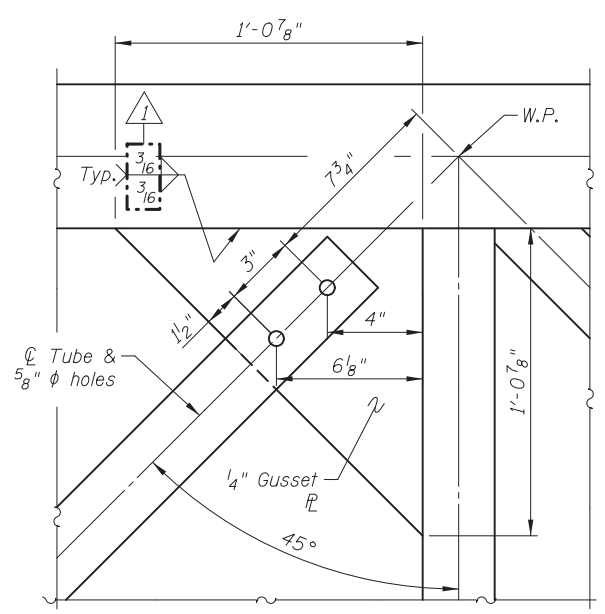
\* Coordinate locations of Connection Plate with Steel Fabricator. Cost included with Furnishing and Erecting Structural Steel



**SECTION C-C**



**TYPICAL ALUMINUM LATTICE LATERAL BRACING**



**DETAIL "A"**

**BILL OF MATERIAL**

ITEM	UNIT	QUANTITY
Ornamental Aluminum Lattice	Foot	265

Notes:  
Hangers and aluminum plates to be included in the cost of Ornamental Aluminum Lattice.  
All aluminum welds shall be Filler Alloy 5356 with a min. allowable stress of 7 ksi.  
See sheet SA12 for Elevation View of the Exterior Fascia of the beams.  
W.P. indicates work point.

**CIVILTECH**  
450 E Devon Ave, Suite 300  
Itasca, Illinois 60143  
Tel: 630.773.3900 Fax: 630.773.3975  
www.civiltechinc.com

DRAWN	- M. LANGE	REVISED	- 5/23/2012 D.L.A.
DESIGNED	- D. ATKINS	REVISED	-
CHECKED	- G. HATLESTAD	REVISED	-
DATE	- 5/3/2012	REVISED	-

**STATE OF ILLINOIS DEPARTMENT OF TRANSPORTATION**

**ORNAMENTAL ALUMINUM LATTICE ILLINOIS ROUTE 31 OVER CRYSTAL CREEK STRUCTURE NO. 056-0077**

O.R. RTE.	SECTION	COUNTY	TOTAL SHEETS	SHEET NO.
0003	18A-2	MCHENRY	825	471
			CONTRACT NO. 60F72	

SHEET NO. SA11 OF SA33 SHEETS

ILLINOIS FED. AID PROJECT

5/24/2012 9:30:03 AM I:\2164\cad\sheet\Roadway\20-Structures & Wallis\01.SN 056-0077\0560077-60F72-11-OAL\_rev2.dgn