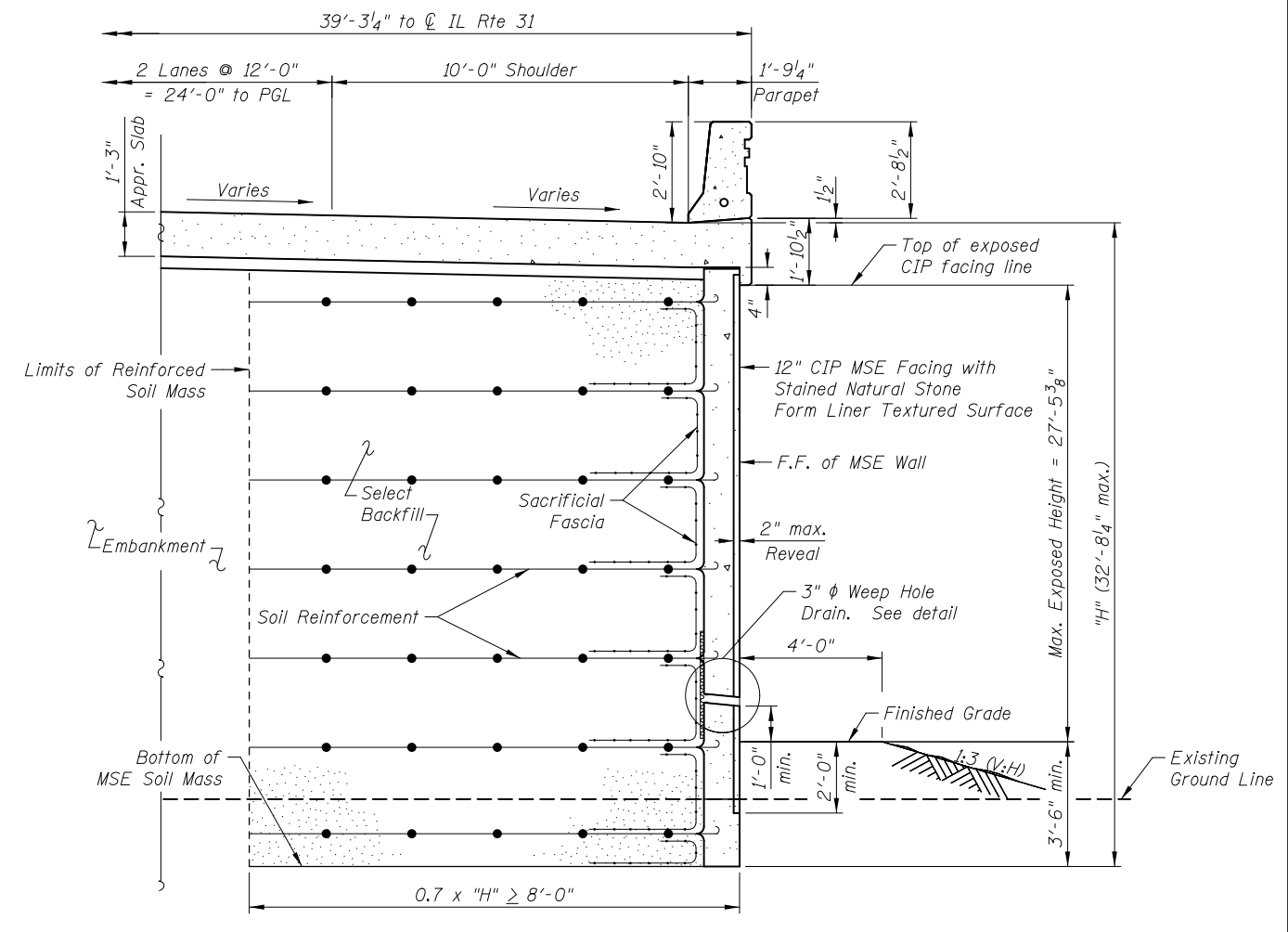
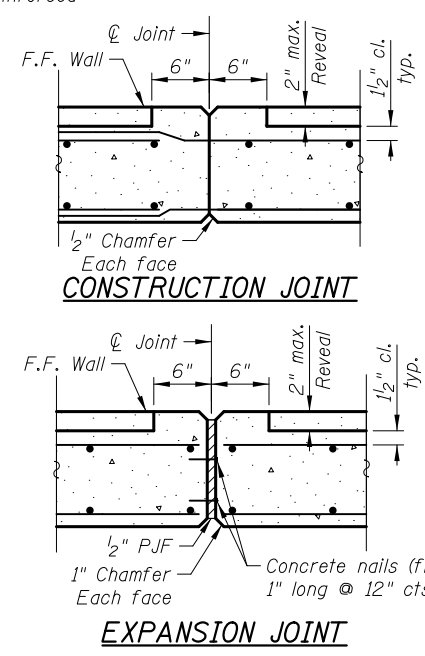


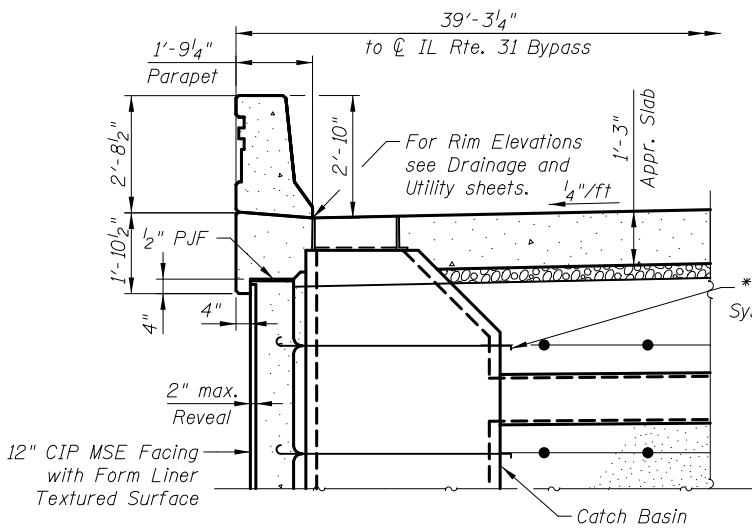
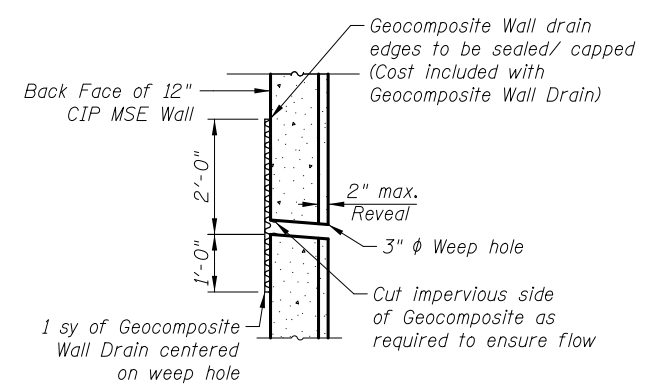
The MSE Wall supplier shall design the abutment soil reinforcement to resist an unfactored horizontal force of 4.7 kips/ft. of abutment.

The MSE wall supplier's internal stability design shall account for the anchorage slab's bearing pressure surcharge of 1.0 ksf and horizontal sliding force of 0.5 kips/ft. of wall.

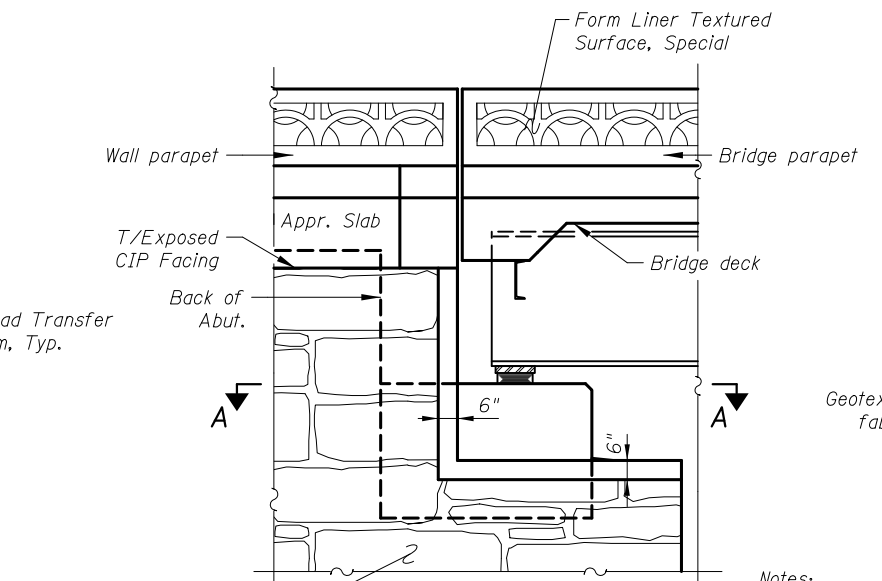


BILL OF MATERIAL

ITEM	UNIT	TOTAL
Concrete Structures	Cu Yd.	2.5
Form Liner Textured Surface	Sq. Ft.	6,979
Geocomposite Wall Drain	Sq. Yd.	54
Mechanically Stabilized Earth Retaining Wall	Sq. Ft.	9,311
Staining Concrete Structures	Sq. Yd.	775



* M.S.E. supplier to design load transfer system to accommodate concrete pipe and catch basin



MSE Wall with CIP facing and Stained Natural Stone Textured Form Liner Surface Walls

ABUTMENT END VIEW

Notes:
See Sheet SA28 for anchorage slab details.
Seal with concrete and P.J.F shall be paid for as Concrete Structures.
Geotextile Fabric shall be paid for as Mechanically Stabilized Earth Retaining Wall.
For Form Liner Textured Surface details see sheet SA25.

5/2/2012 4:16:47 PM I:\2154\cad\sheet\Roadway\20-Structures & Walls\01_SN_056-007\056007T-60F72-26-WID_rev.dgn

CIVILTECH
450 E Devon Ave, Suite 300
Itasca, Illinois 60143
Tel: 630.773.3900 Fax: 630.773.3975
www.civiltechinc.com

DRAWN	- M. LANGE	REVISED	-
DESIGNED	- D. ATKINS	REVISED	-
CHECKED	- G. HATLESTAD	REVISED	-
DATE	- 5/3/2012	REVISED	-

**STATE OF ILLINOIS
DEPARTMENT OF TRANSPORTATION**

**MSE WALL DETAILS
ILLINOIS ROUTE 31 OVER CRYSTAL CREEK
STRUCTURE NO. 056-0077**
SHEET NO. SA26 OF SA33 SHEETS

O.R. RTE.	SECTION	COUNTY	TOTAL SHEETS	SHEET NO.
0003	18A-2	MCHENRY	825	486
CONTRACT NO. 60F72			ILLINOIS FED. AID PROJECT	