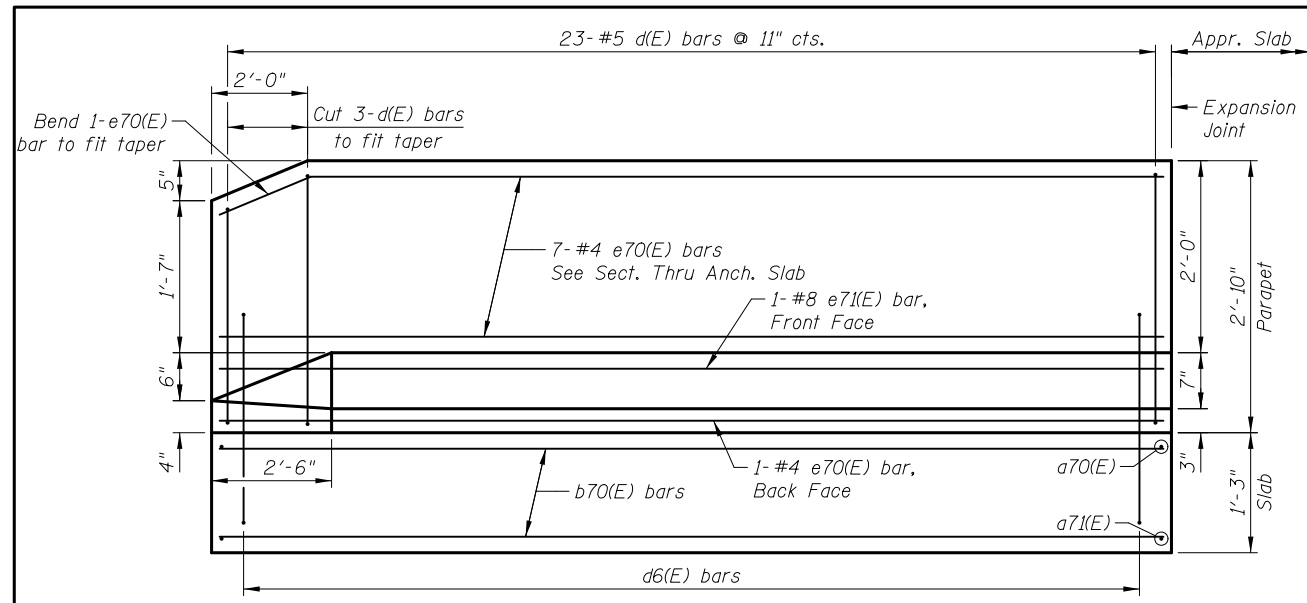
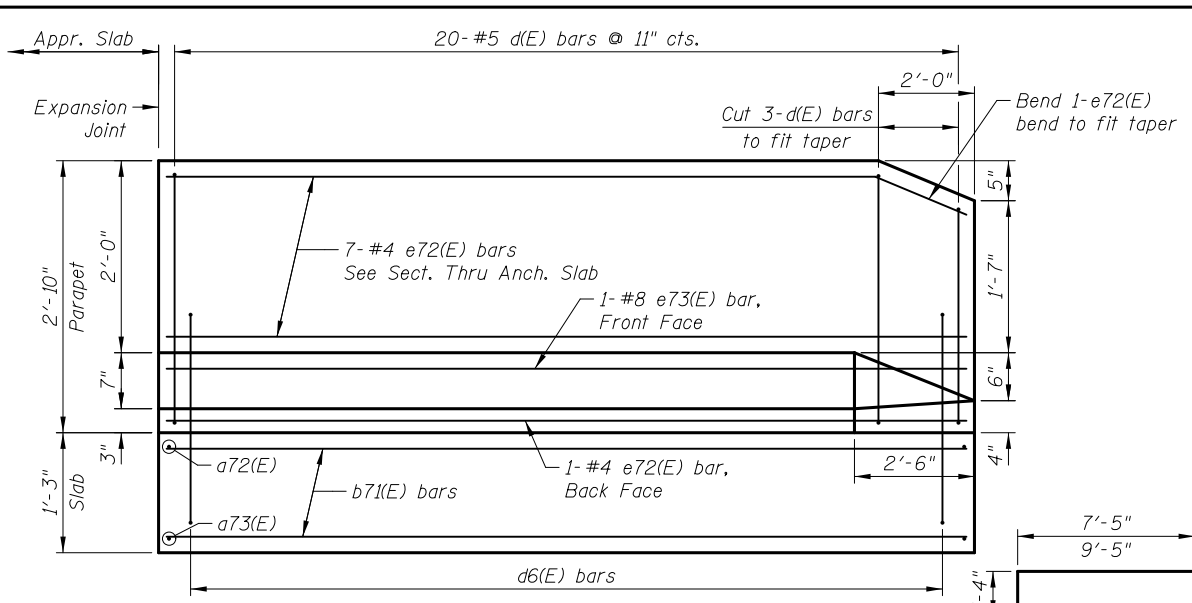


4/20/33 PM 4:20:33 PM J:\2154\cad\sheet\Roadway\20-Structures & Walls\04-SN 056-0079\0560079-60F72-25-ANS_Rev.dgn



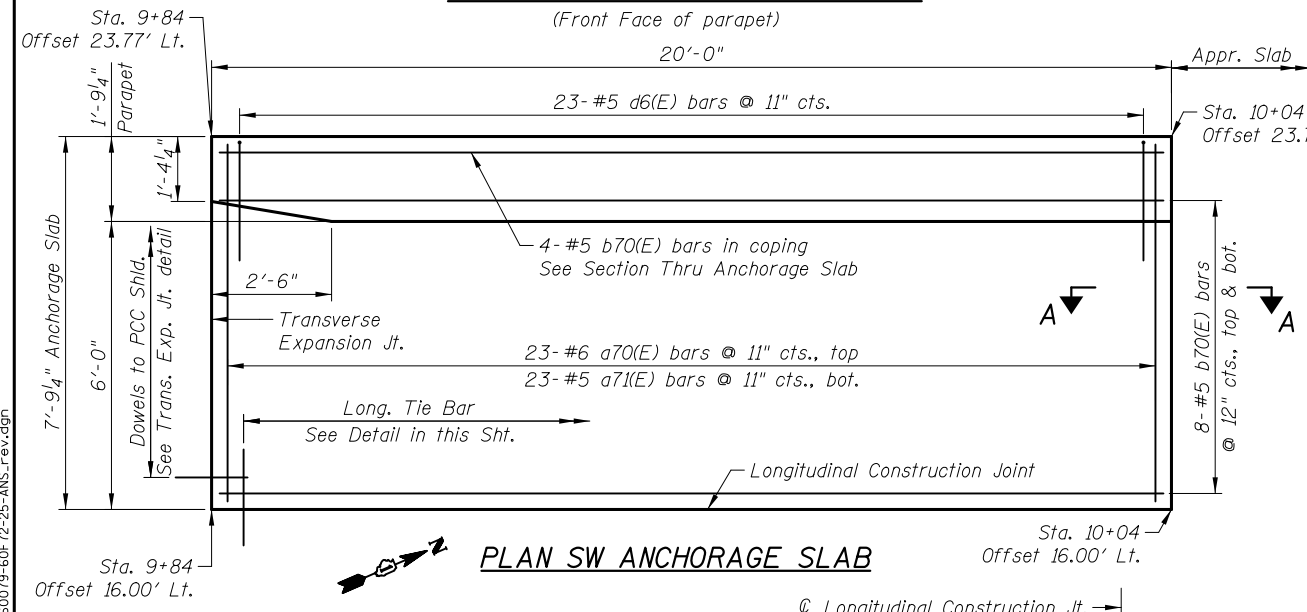
ELEVATION SW ANCHORAGE SLAB
(Front Face of parapet)



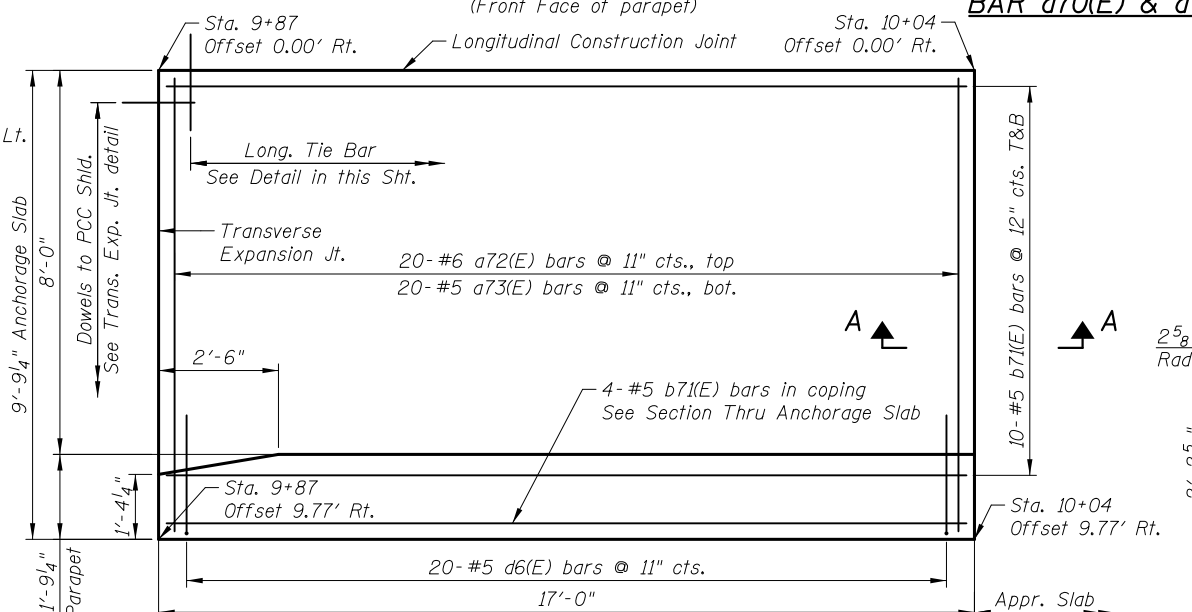
ELEVATION SE ANCHORAGE SLAB
(Front Face of parapet)

**ANCHORAGE SLAB
BILL OF MATERIAL**

Bar	No.	Size	Length	Shape
a70(E)	23	#6	8'-9"	┌
a71(E)	23	#5	7'-5"	┌
a72(E)	20	#6	10'-9"	┌
a73(E)	20	#5	9'-5"	┌
b70(E)	20	#5	19'-8"	—
b71(E)	24	#5	16'-8"	—
d(E)	43	#5	5'-7"	└
d6(E)	43	#5	7'-11"	└
e70(E)	8	#4	19'-8"	—
e71(E)	1	#8	19'-8"	—
e72(E)	8	#4	16'-8"	—
e73(E)	1	#8	16'-8"	—
Item	Unit	Quantity		
Concrete Superstructures	Cu. Yds.	21.8		
Protective Coat	Sq. Yd.	45		
Reinforcement Bars, Epoxy Coated	Pound	2,730		
Form Liner Textured Surface, Special	Sq. Ft.	53		



PLAN SW ANCHORAGE SLAB

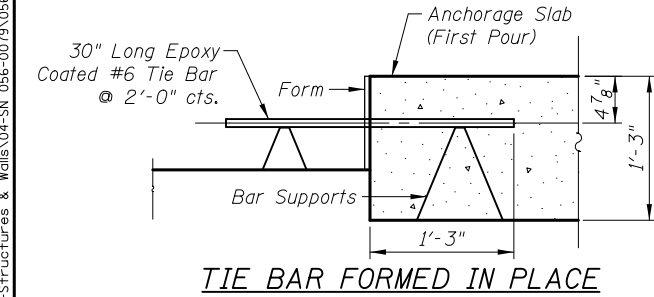


PLAN SE ANCHORAGE SLAB

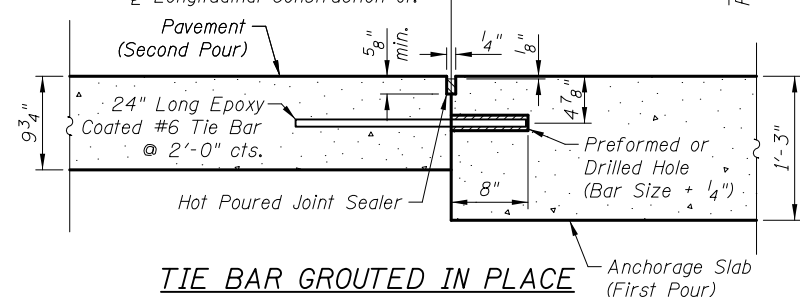
BAR a70(E) & a72(E)

BAR d(E)

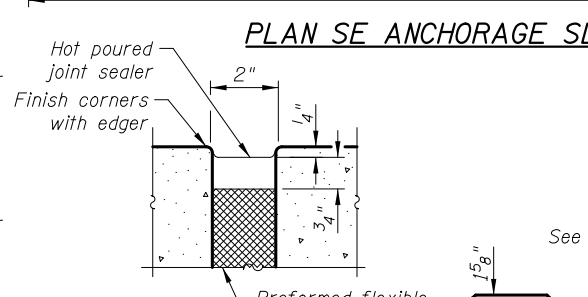
BAR d6(E)



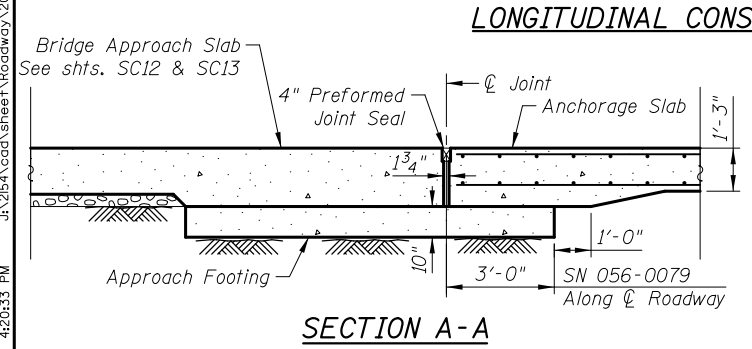
TIE BAR FORMED IN PLACE



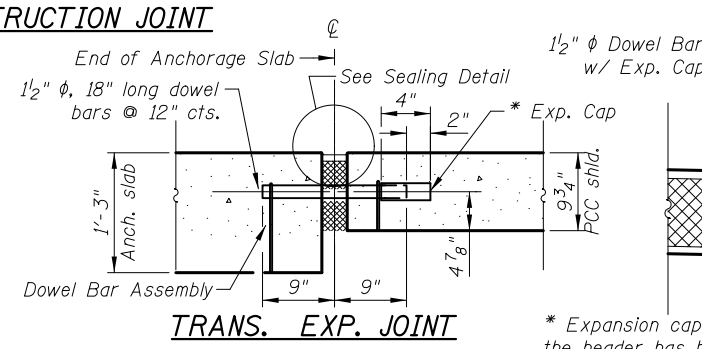
TIE BAR GROUTED IN PLACE



SEALING DETAIL



SECTION A-A



TRANS. EXP. JOINT

* Expansion caps shall be installed on the exposed end of each dowel bar once the header has been removed and the joint filler material has been installed.

**STATE OF ILLINOIS
DEPARTMENT OF TRANSPORTATION**

**ANCHORAGE SLABS
NB EXIT RAMP (RAMP B) OVER CRYSTAL CREEK
STRUCTURE NO. 056-0079**

SHEET NO. SC25 OF SC29 SHEETS

O.R. RTE.	SECTION	COUNTY	TOTAL SHEETS	SHEET NO.
0003	18A-2	MCHENRY	825	550
CONTRACT NO. 60F72				

ILLINOIS FED. AID PROJECT

CIVILTECH
450 E Devon Ave, Suite 100
Itasca, Illinois 60143
Tel: 630.773.3900 Fax: 630.773.3975
www.civiltechinc.com

DRAWN	- M. LANGE	REVISED	-
DESIGNED	- D. ATKINS	REVISED	-
CHECKED	- G. HATLESTAD	REVISED	-
DATE	- 5/3/2012	REVISED	-