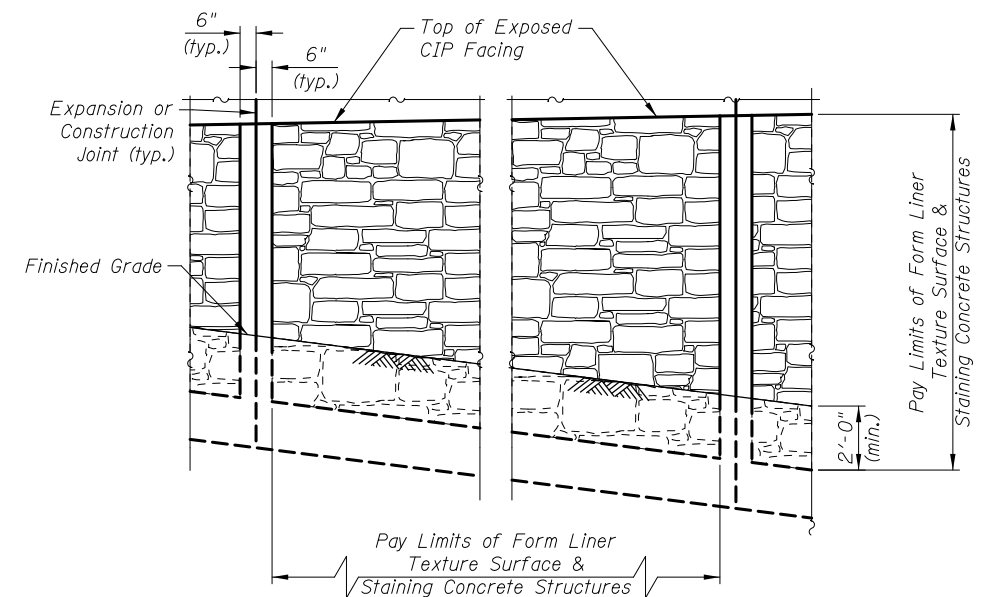
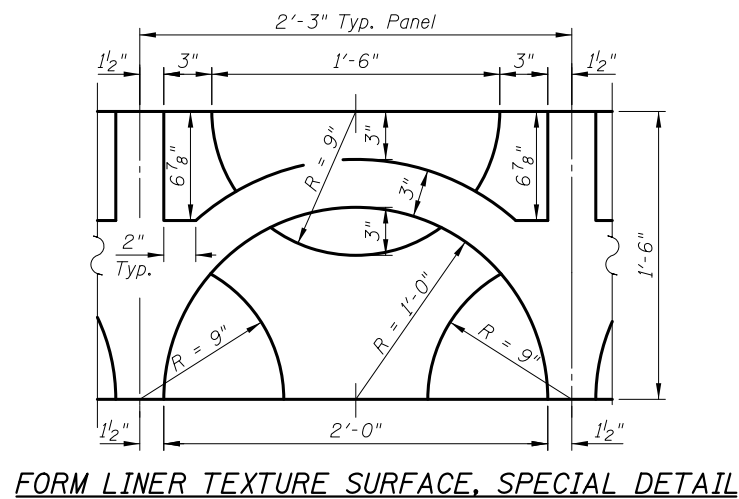


ELEVATION - OUTSIDE FACE OF PARAPET

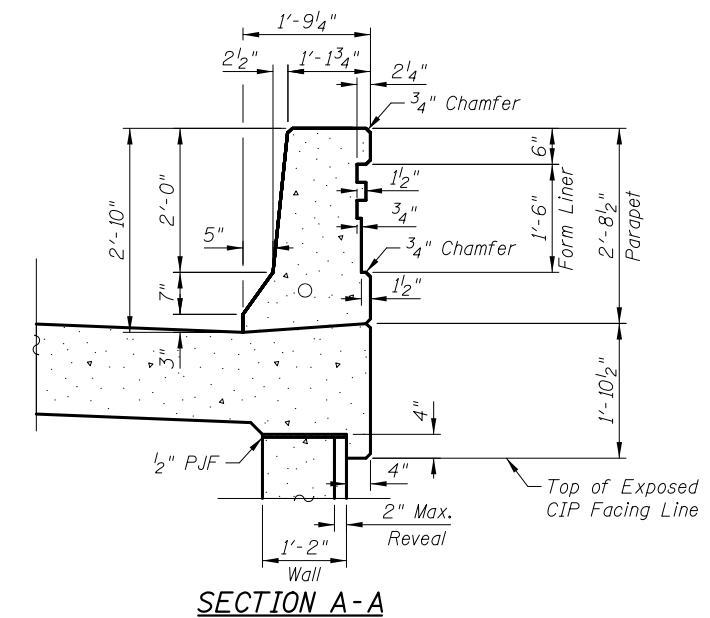
* Pay Limits of Form Liner Texture Surface, Special



FORM LINER TEXTURE SURFACE DETAIL



FORM LINER TEXTURE SURFACE, SPECIAL DETAIL



SECTION A-A

5/2/2012 4:24:14 PM I:\2154\cad\sheet\Roadway\20-Structures & Walls\10-Wall E.0562502-60F72-05-AD.dgn



450 E Devon Ave, Suite 300
 Itasca, Illinois 60143
 Tel: 630.773.3900 Fax: 630.773.3975
 www.civiltechinc.com

DRAWN	- K. BOCHNOWSKI
DESIGNED	- D. ATKINS
CHECKED	- G. HATLESTAD
DATE	- 5/3/2012

**STATE OF ILLINOIS
 DEPARTMENT OF TRANSPORTATION**

**ARCHITECTURAL DETAILS
 WALL E; RAMP C
 STRUCTURE NO. 056-2502**
 SHEET NO. WE5 OF WE7 SHEETS

O.R. RTE.	SECTION	COUNTY	TOTAL SHEETS	SHEET NO.
0003	18A-2	MCHENRY	825	617
CONTRACT NO. 60F72				
ILLINOIS FED. AID PROJECT				