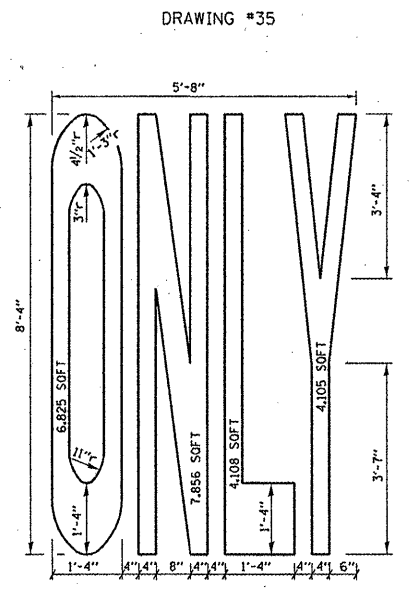
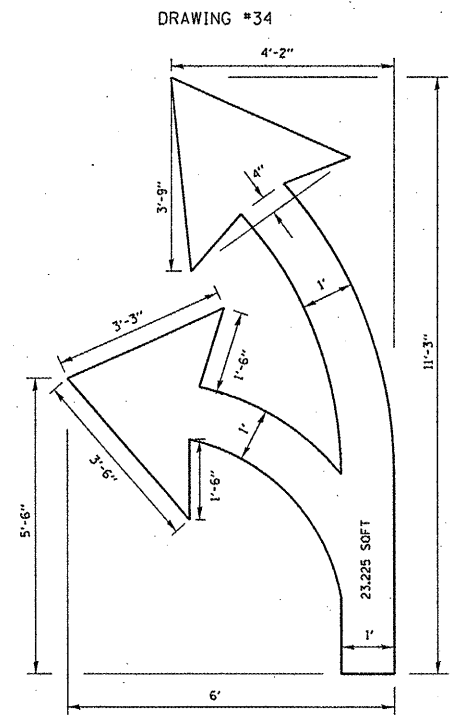
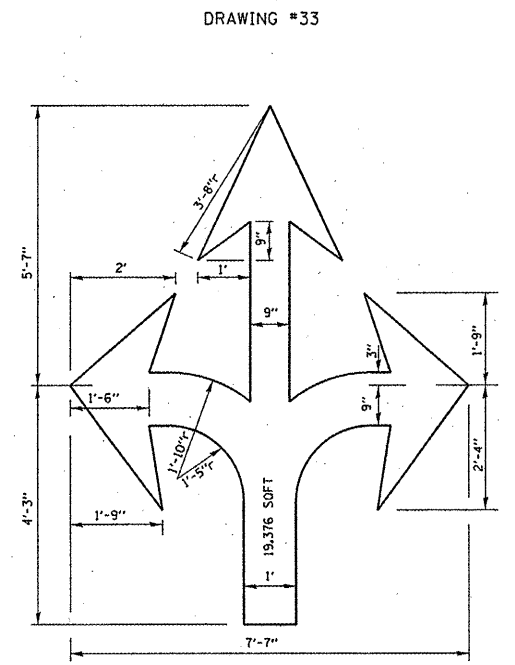
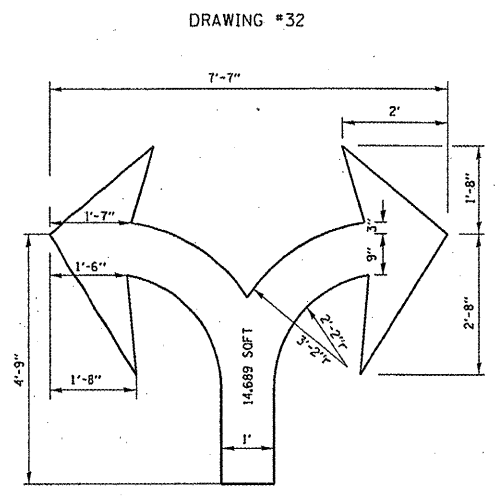
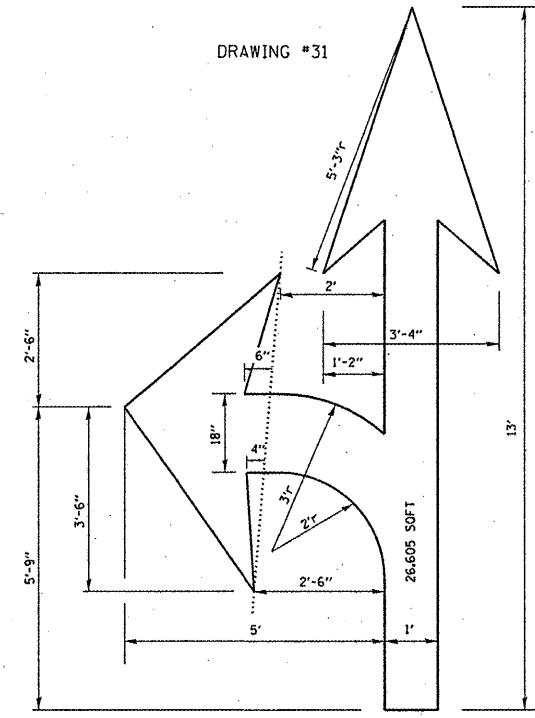
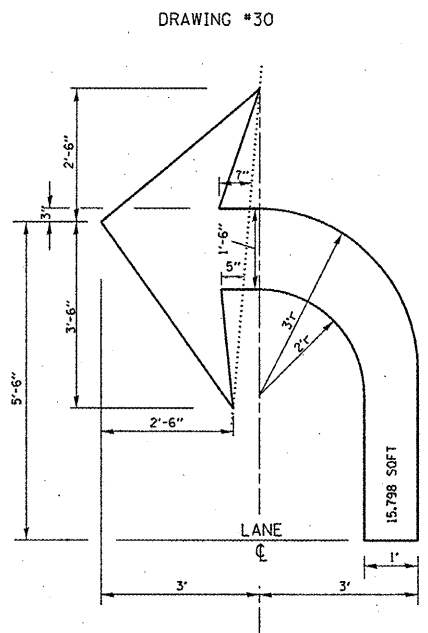
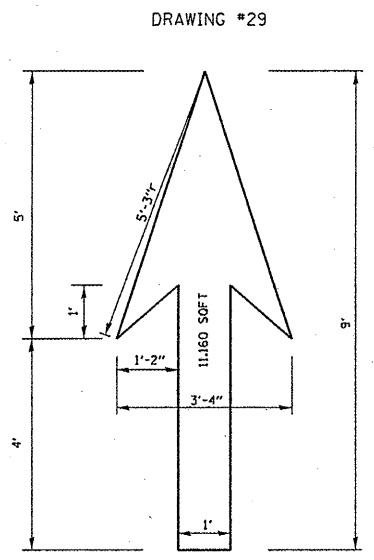


NOTE:
 1.) FOR BIKE LANE SYMBOLS ONLY, USE PRE-FORMED THERMOPLASTIC WITH A MINIMUM THICKNESS OF 90 MILS, MINIMUM SKID RESISTANCE VALUE OF 60 BPN, & A MINIMUM INDEX OF REFRACTION OF 1.50.
 2.) THE RESIDENT ENGINEER SHALL CONTACT MR. BEN GOMBERG AT 312-744-8093 AT LEAST ONE CALENDAR WEEK PRIOR TO INSTALLING BIKE LANE SYMBOLS.

TYPICAL BIKE LANE SYMBOLS
 DRAWING #28



NOTE:
 ALL MARKINGS SHALL BE SOLID WHITE UNLESS OTHERWISE NOTED IN THE PLANS

FILE NAME =	USER NAME = rothenbergmp	DESIGNED -	REVISED - T. RAMMACHER 12-07-00
c:\pwork\p\dot\rothenbergmp\d0150229	P111109-ahc-xssht-1150-Design.dgn	DRAWN -	REVISED - K. ENG 01-12-12
	PLOT SCALE = 100.0000' / 1"	CHECKED -	REVISED -
	PLOT DATE = 3/2/2012	DATE -	REVISED -

STATE OF ILLINOIS
 DEPARTMENT OF TRANSPORTATION

CITY OF CHICAGO	
TYPICAL PAVEMENT MARKINGS	
SCALE: NONE	SHEET NO. 2 OF 3 SHEETS STA. TO STA.

F.A.P. RTE.	SECTION	COUNTY	TOTAL SHEETS	SHEET NO.
350	2010-050-1	COOK	44	27B
TC-24			CONTRACT NO. 60L26	
FED. ROAD DIST. NO. 1 ILLINOIS FED. AID PROJECT				