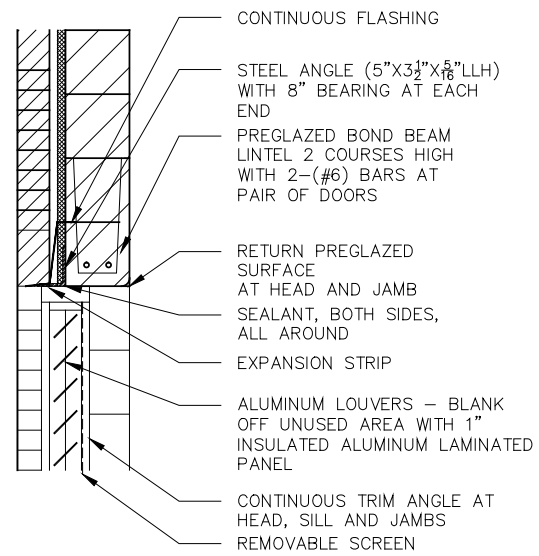
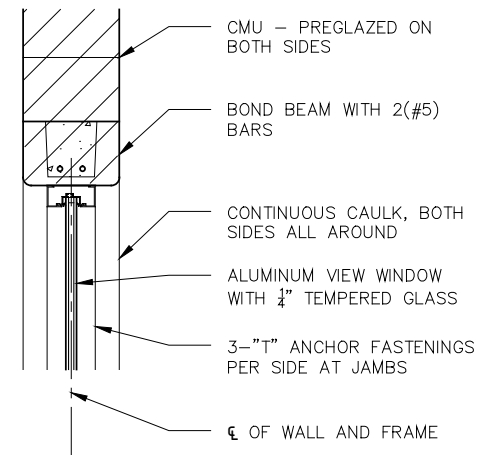


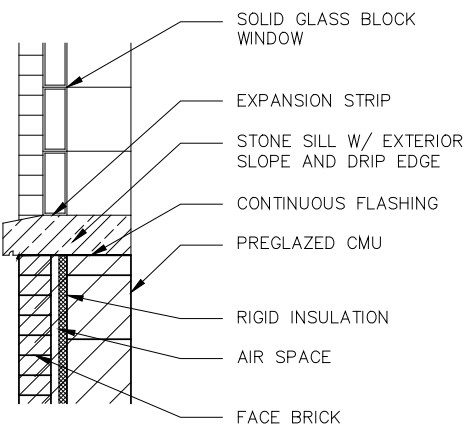
**1** HEAD DETAIL  
SCALE: 1" = 1'-0"



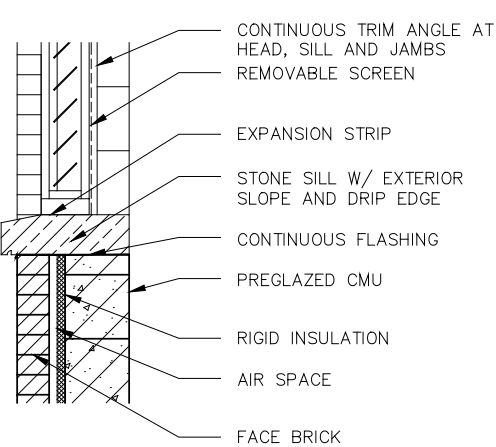
**2** HEAD DETAIL  
SCALE: 1" = 1'-0"



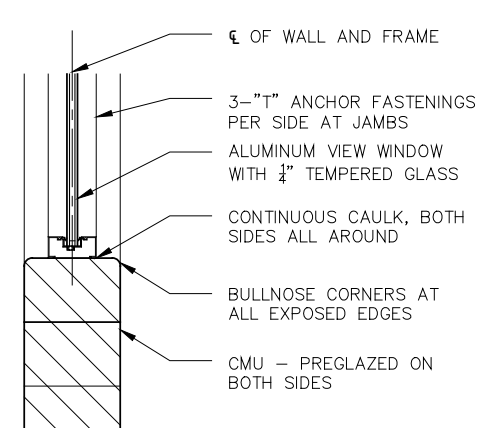
**3** HEAD DETAIL  
SCALE: 1" = 1'-0"



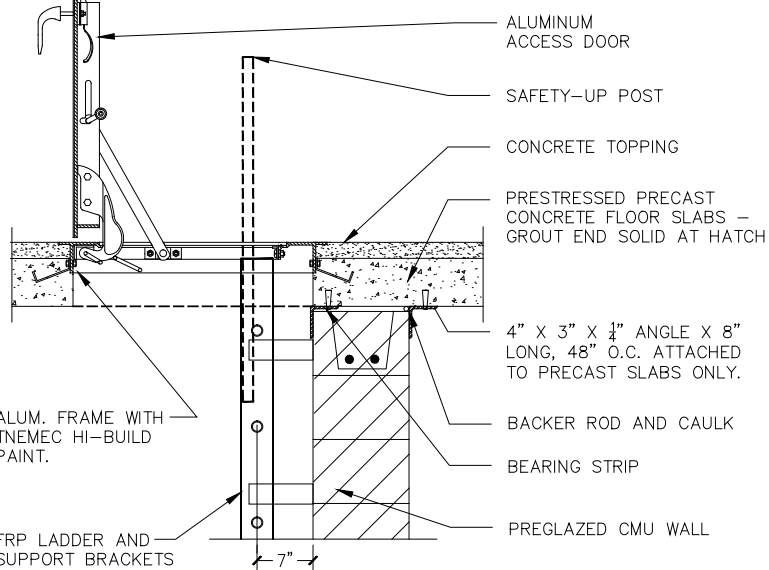
**4** SILL DETAIL  
SCALE: 1" = 1'-0"



**5** SILL DETAIL  
SCALE: 1" = 1'-0"



**6** SILL DETAIL  
SCALE: 1" = 1'-0"



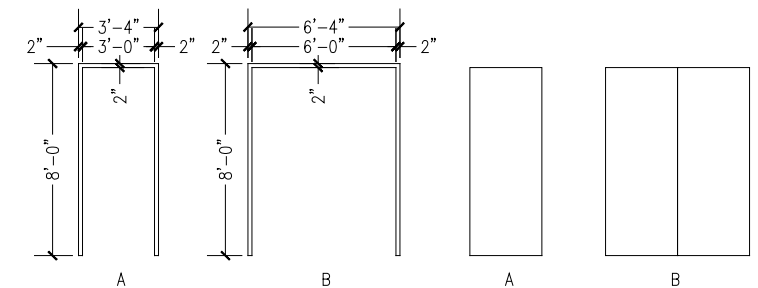
**7** ACCESS HATCH DETAIL  
SCALE: 1" = 1'-0"

DOOR SCHEDULE

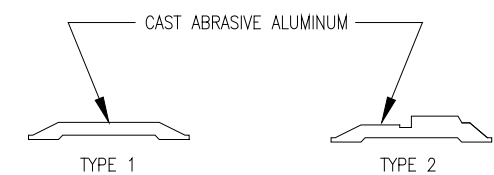
DOOR NO.	DOOR SIZE	ELEVATION	THRESHOLD TYPE	DETAILS		UL LABEL	MATERIAL	HARDWARE ITEM	REMARKS
				HEAD	JAMB				
001	2 @ 3'-0" X 7'-10" X 1 3/4"	B	1	--	--	--	ST STEEL	1	180 DEG HINGES
002	3'-0" X 7'-10" X 1 3/4"	A	2	--	--	--	ST STEEL	2	
003	3'-0" X 7'-10" X 1 3/4"	A	2	--	--	--	ST STEEL	2	
004	3'-0" X 7'-10" X 1 3/4"	A	2	--	--	--	ST STEEL	2	

ROOM FINISH SCHEDULE

ROOM NO.	ROOM NAME	BASE		FLOOR		WALLS		CEILING		REMARKS
		MATERIALS	FINISH	MATERIALS	FINISH	MATERIALS	FINISH	MATERIALS	FINISH	
001.0	DRY WELL	N/A	-	CONC	PT-1	CMU	GLAZED	GYP BD	PT-2	
002.0	ELECTRICAL ROOM	N/A	-	CONC	PT-1	CMU	GLAZED	CONC	-	
003.0	WET WELL	N/A	-	CONC	PT-1	CMU	GLAZED	CONC	-	
001.1	DRY WELL	N/A	-	CONC	PT-1	CONC	SEALED	CONC	-	
004.1	DISCHARGE CHAMBER	N/A	-	CONC	PT-1	CONC	SEALED	CONC	-	
003.1	WET WELL	N/A	-	CONC	PT-1	CONC	SEALED	CONC	-	
001.2	DRY WELL	N/A	-	CONC	PT-1	CONC	SEALED	CONC	-	
003.2	WET WELL	N/A	-	CONC	PT-1	CONC	SEALED	CONC	-	
001.3	DRY WELL	N/A	-	CONC	PT-1	CONC	SEALED	CONC	-	
003.3	WET WELL	N/A	-	CONC	PT-1	CONC	SEALED	CONC	-	



**10** DOOR AND FRAME TYPES  
NOT TO SCALE



**11** THRESHOLD TYPES  
NOT TO SCALE