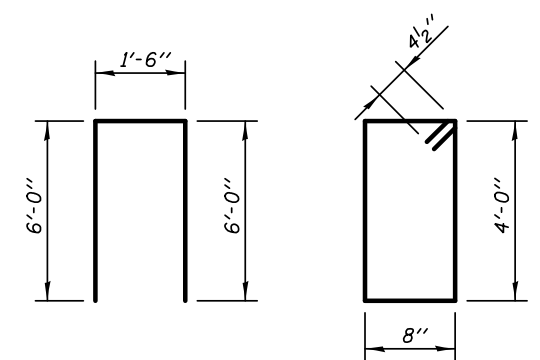
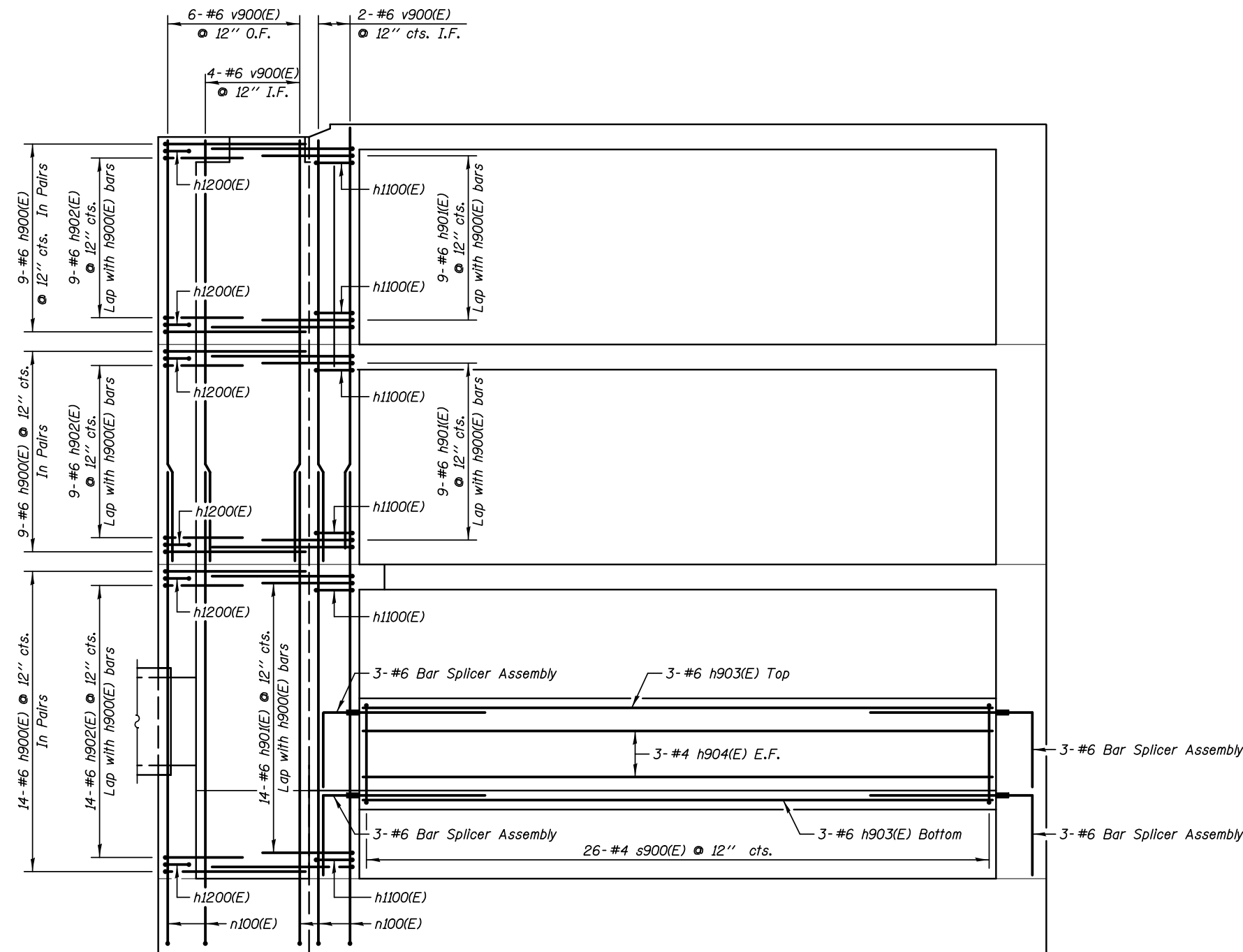


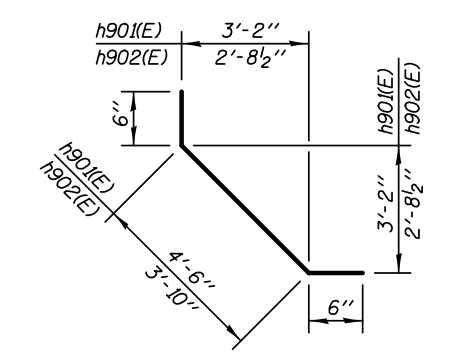
**BILL OF MATERIAL**

BAR	NO.	SIZE	LENGTH	SHAPE	
h900(E)	64	#6	13'-6"		
h901(E)	32	#6	5'-6"		
h902(E)	32	#6	4'-10"		
h903(E)	6	#6	25'-0"		
h904(E)	6	#4	25'-0"		
s900(E)	26	#4	10'-1"		
v900(E)	12	#6	16'-9"		
Reinforcement Bars, Epoxy Coated				LB	2600
Bar Splicers				Each	12

Work this sheet with sheet SA-32.



**BAR h900(E)**      **BAR s900(E)**



**BARS h901(E) & h902(E)**

**ELEVATION 4**