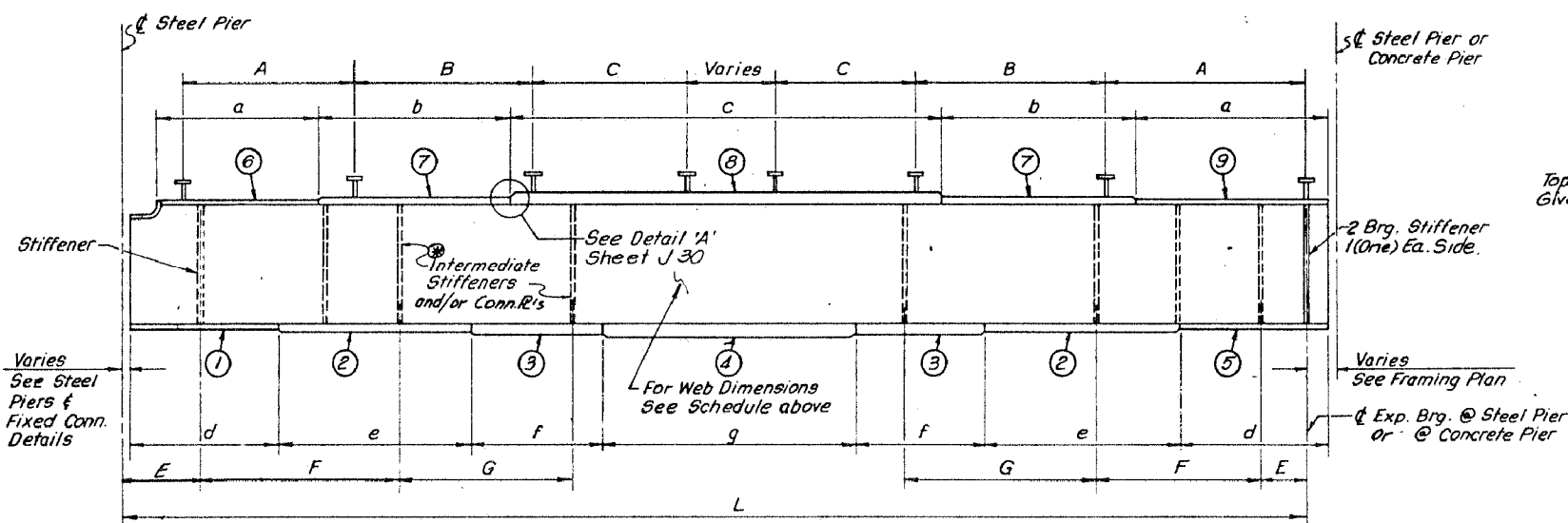
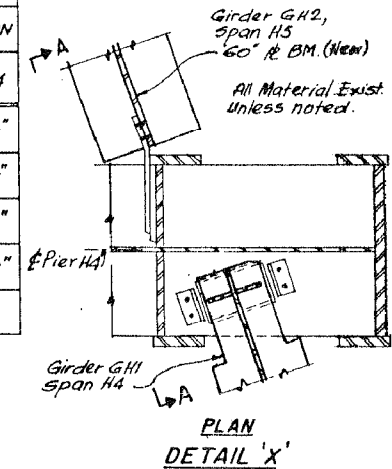


WELDED PLATE BEAM SCHEDULE

SPAN	BEAM	L (# BRG. TO # BRG.)	TOP OF BEAM ELEVATIONS AT # BEARINGS				WEB	FLANGE PLATES									THICKNESS OF FILLET WELD									BRG. STIFF.	INTERMEDIATE STIFFENERS			SHEAR STUD SPACINGS			STUDS PER BEAM	DEFLECTION		
			PIER NO.	ELEV.	PIER NO.	ELEV.		①	②	③	④	⑤	⑥	⑦	⑧	⑨	a	b	c	d	e	f	g	SIZE	SPACING			A	B	C	Δ	Δ/4				
																									E		F							G		
RAMP 'H'	H-3	GH-1	126'-4"	H2	25.004	H3	28.437	1/2" x 72"	16" x 1/2" x 15'-9"	16" x 1/2" x 8'-6"	16" x 1/2" x 17'-6"	16" x 1/2" x 41'-6"	16" x 1/2" x 16'-10"	16" x 1/2" x 15'-9"	16" x 1/2" x 27'-9"	16" x 1/2" x 30'-0"	16" x 1/2" x 16'-10"	5/16"	5/16"	3/8"	5/16"	5/16"	3/8"	1/2"	7" x 5/8"	5" x 5/8"	2'-0"	4 @ 9'-0"	—	4	10 @ 15"	12 @ 18"	17 @ 21"	320	2"	1 1/8"
	H-4	GH-1	104'-2 1/2"	H3	28.469	H4	31.653	7/16" x 60"	16" x 1/2" x 14'-10 1/2"	16" x 1/2" x 15'-0"	16" x 1/2" x 20'-6"	—	16" x 1/2" x 16'-0 1/2"	16" x 1/2" x 20'-4 1/2"	16" x 1/2" x 31'-0"	—	16" x 1/2" x 21'-6 1/2"	5/16"	3/8"	—	5/16"	3/8"	1/2"	7" x 5/8"	5" x 5/8"	2'-6"	3 @ 5'-0"	3 @ 7'-6"	4	25 @ 9"	12 @ 12"	15 @ 15"	424	2 1/8"	1 7/8"	
	H-5	GH-1	105'-10 1/8"	H4	30.167	H5	33.101	7/16" x 60"	16" x 1/2" x 17'-2 1/8"	16" x 1/2" x 17'-0"	16" x 1/2" x 18'-0"	—	16" x 1/2" x 18'-4 1/8"	16" x 1/2" x 21'-2 1/8"	16" x 1/2" x 31'-0"	—	16" x 1/2" x 22'-4 1/8"	5/16"	5/16"	—	5/16"	3/8"	1/2"	7" x 5/8"	5" x 5/8"	2'-6"	3 @ 5'-0"	3 @ 7'-6"	4	25 @ 9"	13 @ 12"	15 @ 15"	432	1 13/16"	1 1/4"	
	H-5	GH-2	103'-4 1/8"	H4	31.489	H5	34.567	7/16" x 60"	16" x 1/2" x 14'-11 1/8"	16" x 1/2" x 14'-0"	16" x 1/2" x 22'-0"	—	16" x 1/2" x 15'-1 1/8"	16" x 1/2" x 18'-11 1/8"	16" x 1/2" x 32'-0"	—	16" x 1/2" x 20'-1 1/8"	5/16"	5/16"	—	5/16"	3/8"	1/2"	7" x 5/8"	5" x 5/8"	2'-6"	3 @ 5'-0"	3 @ 7'-6"	4	23 @ 12"	21 @ 15"	—	376	2 1/8"	1 1/2"	
	H-5	I*	103'-6 1/8"	H4	30.280	H5	33.430	3/8" x 60"	16" x 1/2" x 15'-3 1/8"	16" x 1/2" x 16'-0"	16" x 1/2" x 41'-0"	—	16" x 1/2" x 16'-1"	16" x 1/2" x 20'-9 1/8"	16" x 1/2" x 62'-0"	—	16" x 1/2" x 20'-9 1/8"	5/16"	5/16"	—	5/16"	3/8"	1/2"	7" x 5/8"	5" x 5/8"	2'-6"	3 @ 5'-0"	3 @ 7'-6"	4	23 @ 12"	21 @ 15"	—	376	2 1/8"	1 1/2"	

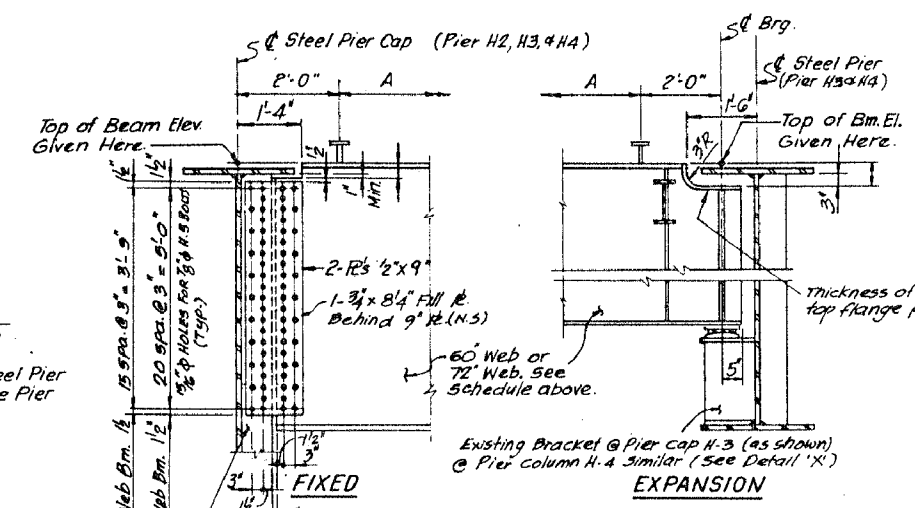
All Webs & Plates ① ② ③ ④ & ⑤ to be N.T.R.

* Existing; Relocated.



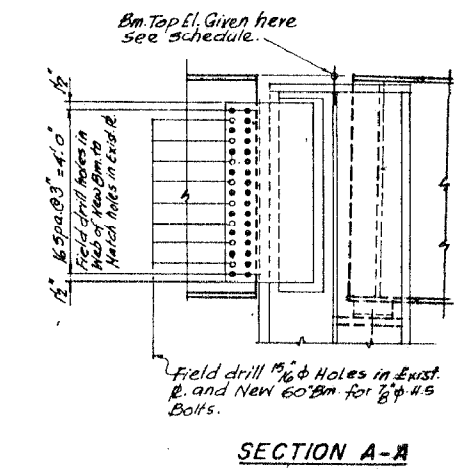
TYPICAL ELEVATION OF WELDED PLATE GIRDER

(For Connection R Location See Framing Plans)



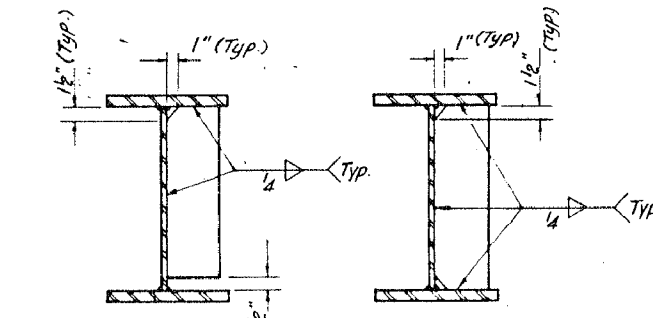
**CONNECTION DETAIL
PLATE GIRDER TO STEEL PIER CAP**

CONNECTION PLATE
 For GH-1 span H3 (Exist.)
 For GH-1 span H4 (Exist.)
 For GH-1 span H5 with bevelled 3/8\"/>

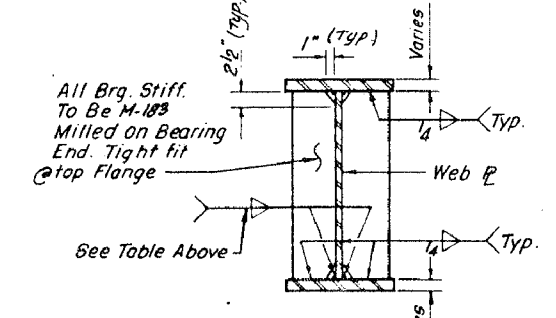


SECTION A-A

**NEW FILL PLATE DETAIL
(BEVELLED)**



**SECTION AT INTERMED.
STIFFENER**



**SECTION AT BEARING
STIFFENER**